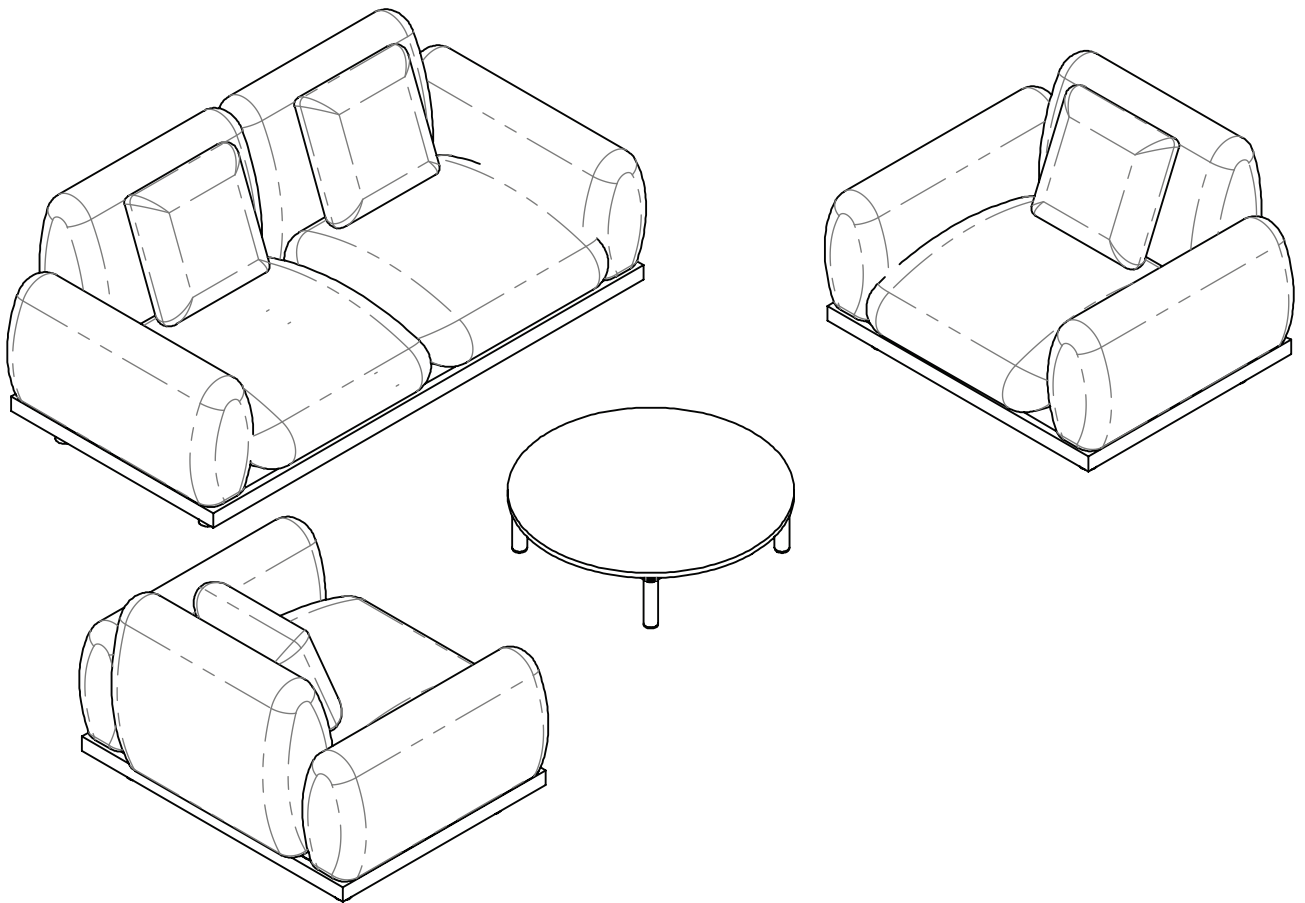


**Studio
London.**

Clifton Outdoor Patio Conversation Set

Assembly instructions



Sofa: 74.8"W x 39.4"D x 28.7"H

Lounge Chair: 48.4"W x 39.4"D x 28.7"H

Coffee Table: 31.5"W x 31.5"D x 10.2"H

Congratulations on your purchase from Studio London!

In buying one of our quality products, you now own an item we sincerely hope you will love for years to come, without it costing the earth.

Responsibility is one of our core brand values. For every item sold, a tree is planted. Additionally, we invest in carbon reducing schemes, ensure all our materials are sustainably and responsibly sourced, and audit our suppliers to ensure they are safe, supportive, and ethically sound.

We hope you love your item. We would love to hear any feedback or comments.

Visit us at www.studiolondon.net to comment or to find out more, and please follow us on Instagram at [studio_london_design](https://www.instagram.com/studio_london_design).

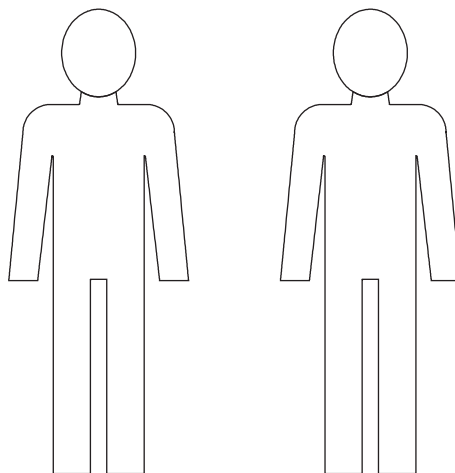
Tools required



Time to assemble

20 mins

People to assemble



Important safety information

Warnings

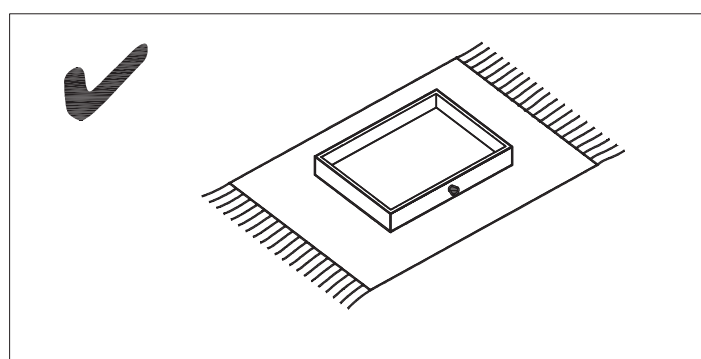
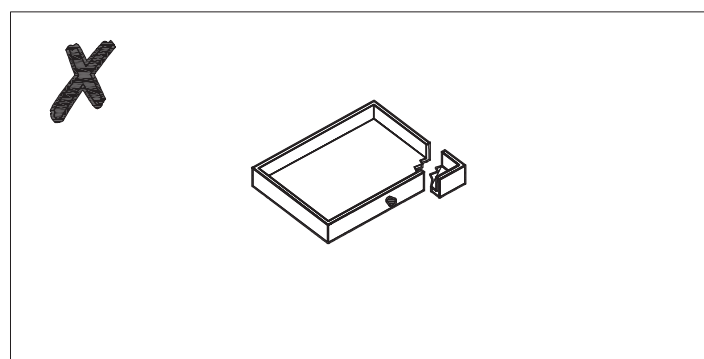
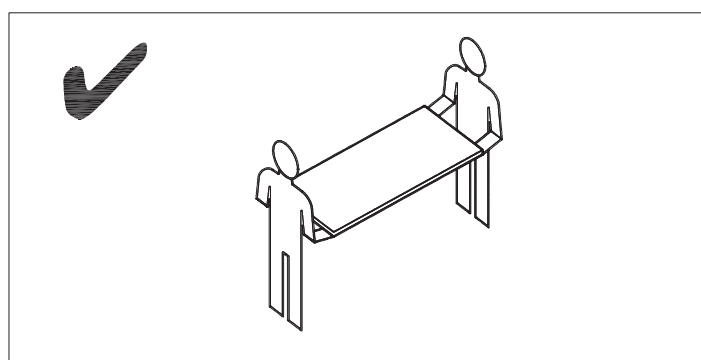
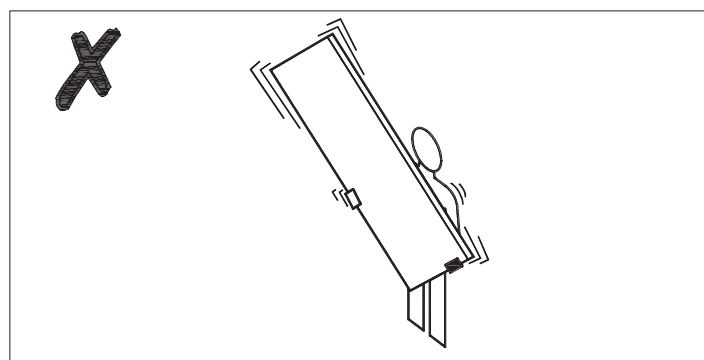
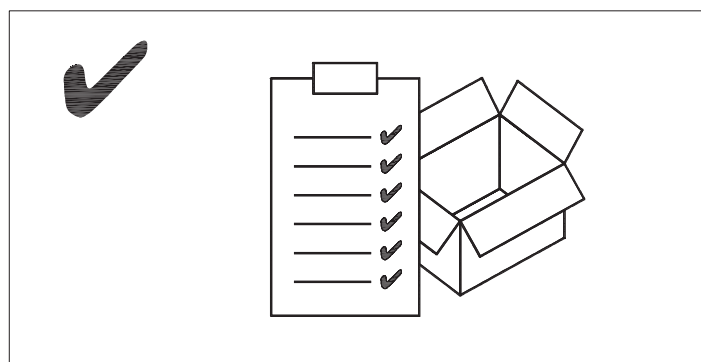
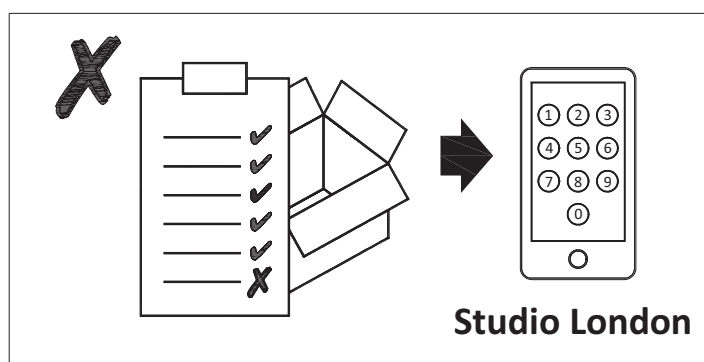
- ⚠ **This product is not suitable for bedrooms.**
- ⚠ The product should only be used on firm, level ground.
- ⚠ Keep small parts out of reach of children.
- ⚠ Ensure the product is fully assembled as illustrated before use.

Do's

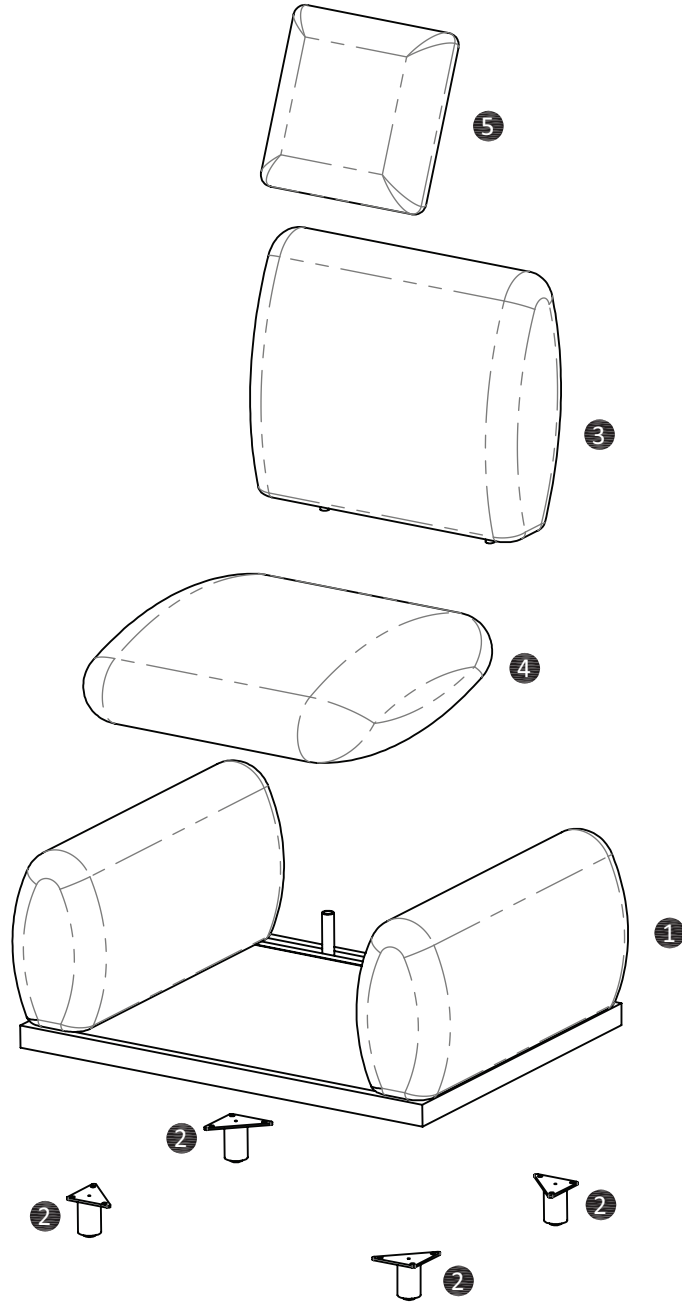
- ✓ Check the pack and make sure you have all the parts listed.
- ✓ Check all screws or bolts are tightened and inspect regularly.
- ✓ Make sure the legs remain in contact with the ground at all times.

Don't

- ✗ Do not over tighten screws or bolts.
- ✗ Do not stand on the product.
- ✗ Do not use power tools to construct as overtightening and panel failure may occur.

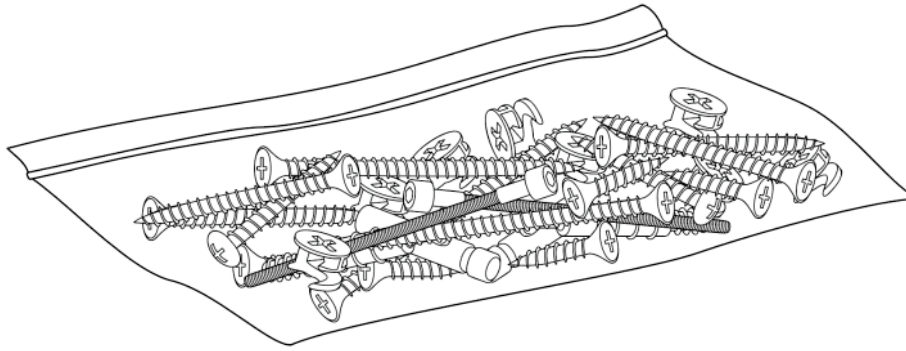


Your Lounge Chair

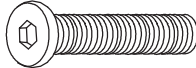
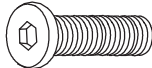



| Ref | Description | Dimensions | Qty |
|-----|--------------|-----------------------|-----|
| ① | Seat frame | 48.4" x 32.7" x 2.3" | 1 |
| ② | Corner legs | 3.3" x 3.3" x 7.8" | 4 |
| ③ | Back cushion | 29.1" x 23.2" x 10.6" | 1 |
| ④ | Seat cushion | 29.1" x 28" x 9.8" | 1 |
| ⑤ | Pillow | 17" x 17" x 6.3" | 1 |


Fixtures and fittings



Fixtures and fittings
supplied (true to size)

| Ref | Description | Dimensions | Qty | mm |
|----------|------------------|------------|-----|---|
| | | | | 0 10 20 30 40 50 60 70 |
| A | Large allen bolt | M6x25mm | 2 |  |
| B | Small allen bolt | M6x20mm | 12 |  |
| C | Washer | Dia.16mm | 14 |  |

Fixtures and fittings
supplied (not to scale)

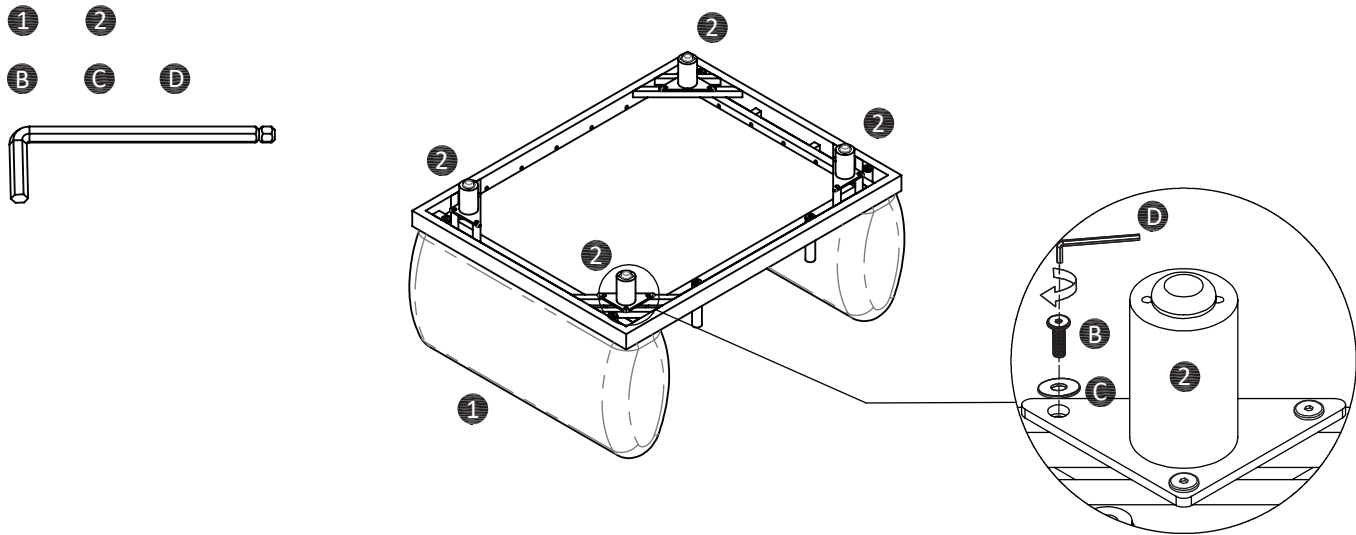
| Ref | Description | Dimensions | Qty | |
|----------|---------------------|------------|-----|---|
| D | Head ball allen key | #4 | 1 |  |

Product assembly

Clifton Outdoor Patio Conversation Set

Step 1

Parts, fittings and tools



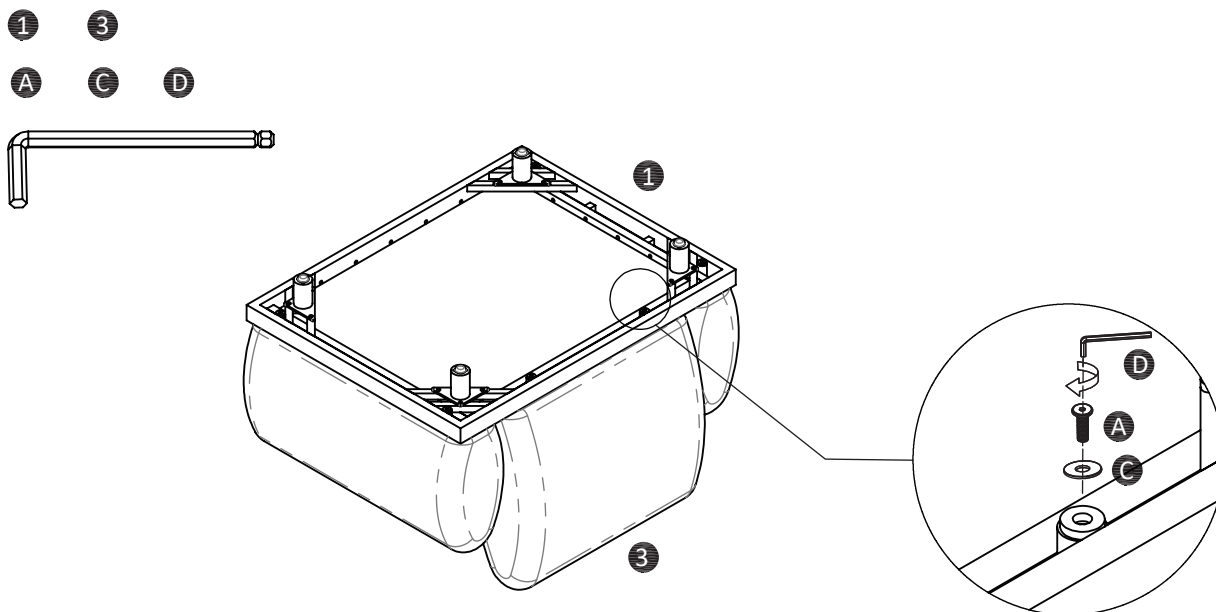
Place Seat frame (1) upside down onto a padded, non-marring surface. Position the Corner legs (2) on Seat frame (1) as shown.

Secure the Corner leg (2) and by inserting the Small allen bolt (B) and Washers (C).

Stacking the hardware in the order as shown, then fully tighten using the provided Head ball allen key (D)

Step 2

Parts, fittings and tools



Locate and secure the Back cushion (3) using the Large allen bolts (A) and Washers (C).

Stacking the hardware in the order as shown.

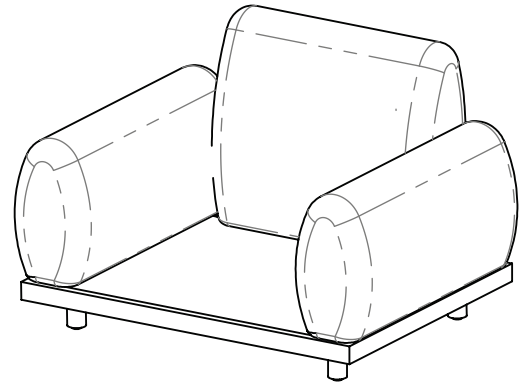
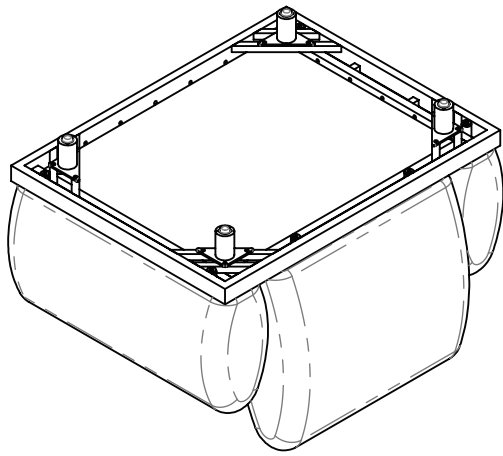
Engage all hardware first, then fully tighten using the provided tighten with the Head ball allen key (D).

Product assembly

Clifton Outdoor Patio Conversation Set

Step 3

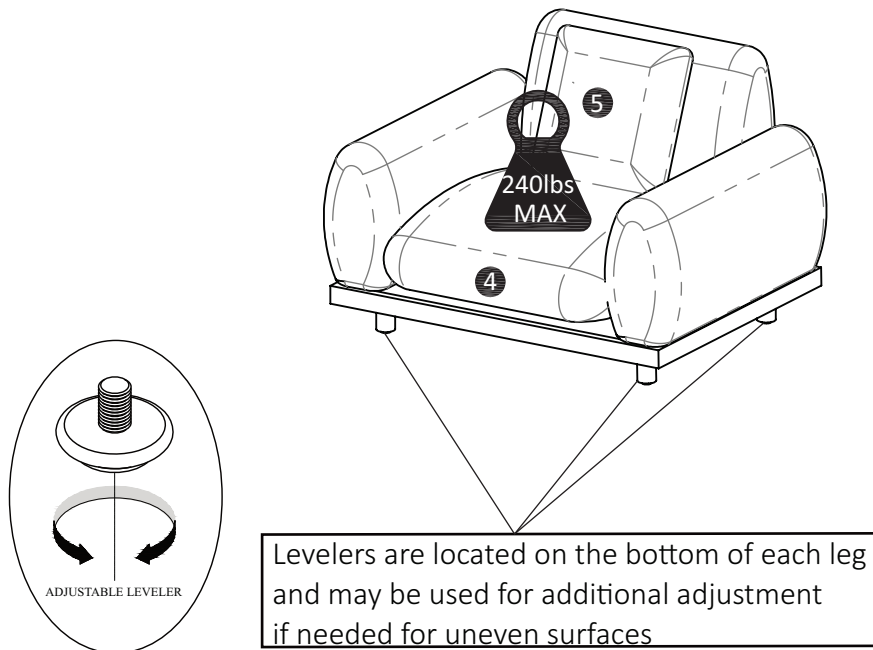
Parts, fittings and tools



With 2 people carefully place this product on its feet. Take care when lifting not to damage the legs.

Step 4

Parts, fittings and tools



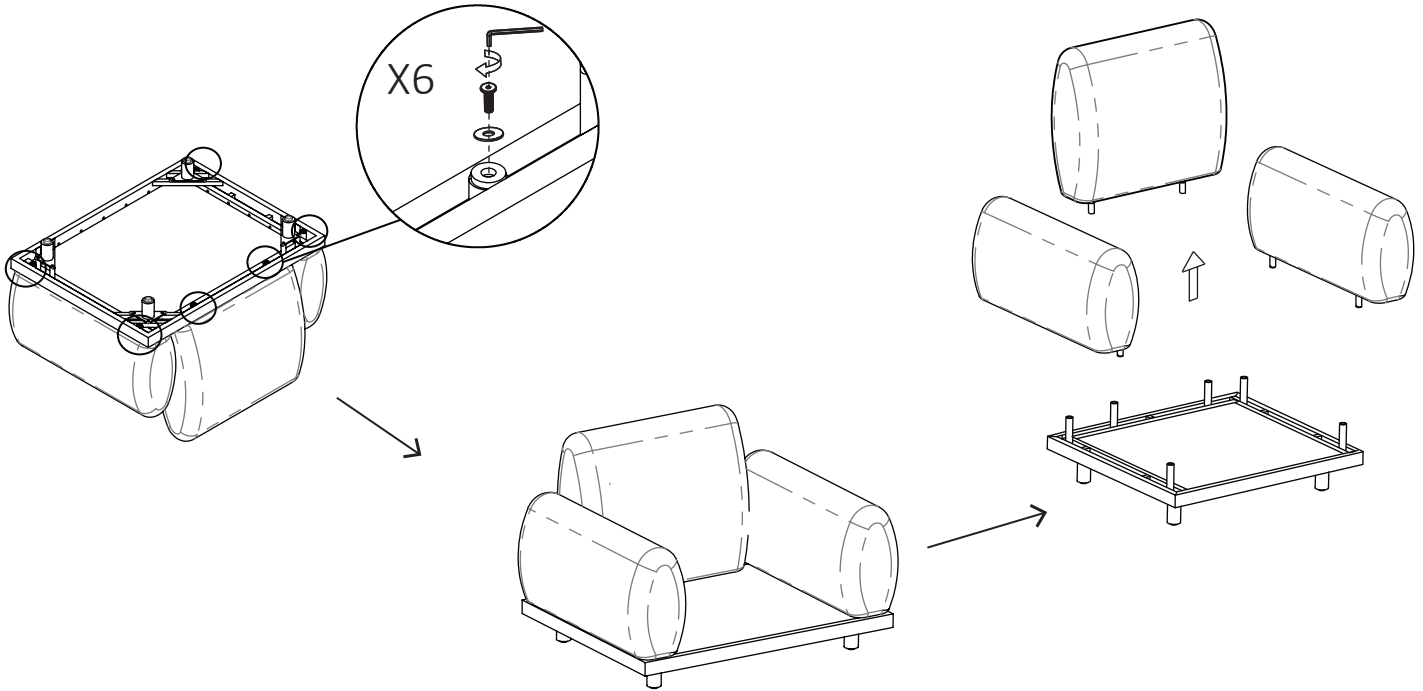
Position Seat cushion (4) and Pillow (5) into position as shown.

Adjustable levelers are located on the bottom of each leg and may be adjusted by turning outwards, counter-clockwise to help account for uneven surfaces.

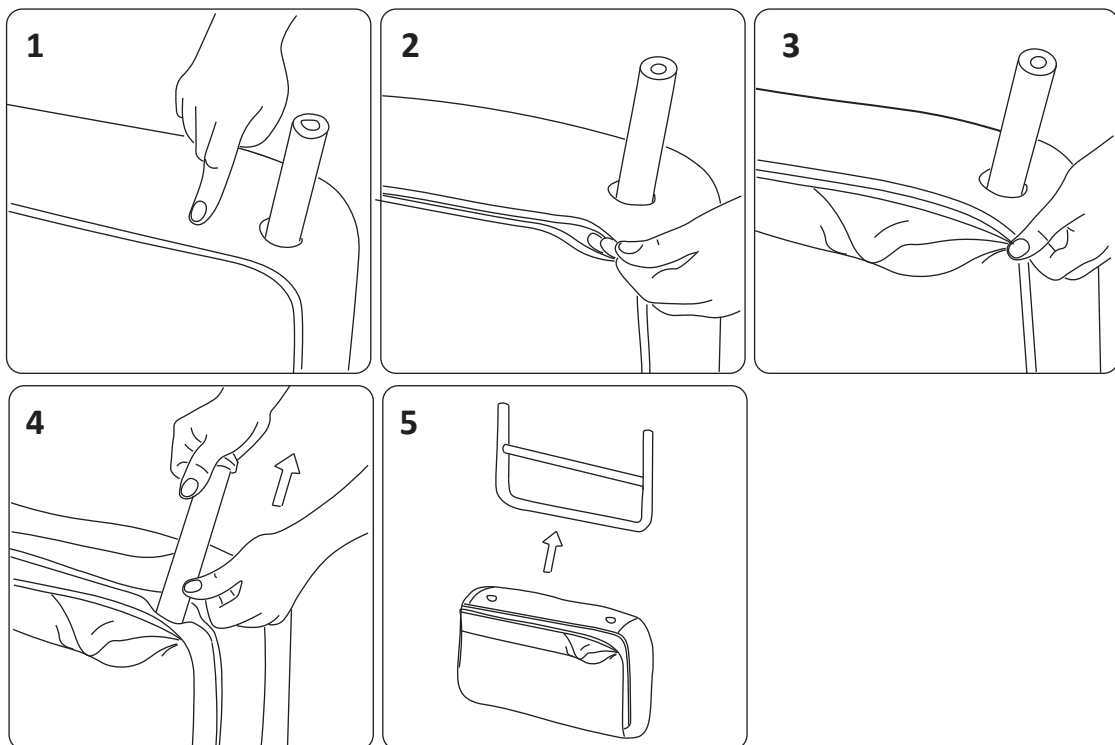
Product assembly

Clifton Outdoor Patio Conversation Set

In case of rain, you can remove the cushions by unscrewing the bolts located underneath the base of the sofa....



.....Unzip the cover and detach the cushion from the frame when washing or cleaning is needed.



Care and maintenance

How to care for your outdoor furniture

- Wash your outdoor furniture annually, scrub with soapy water followed by a thorough rinse. Do not use any abrasive cleaner or harsh detergent as this can damage the surface.
- Periodically check all fixings to ensure none have come loose and re-tighten where necessary.
- Do not drag any objects across the surface, as this can cause permanent damage.
- We recommend that all garden furniture is covered when not in use and stored for winter. Ensure your furniture is clean and completely dry before being covered. The cover must be breathable to prevent mildew and/or mould developing. If storing away, ensure the space is not heated but dry with good airflow.

How to care for your outdoor cushions

- To keep outdoor cushions in the best possible condition, we recommend keeping them covered when not in use and/or in wet conditions (using a breathable cover) and store them inside over winter. Do not store in polythene bags or they may develop mould.
- To clean the cushions, remove the covers and gently spot clean using upholstery shampoo or warm soapy water (with a mild detergent) to blot out any stains as soon as they occur.

Safety Instructions

Never drag furniture when moving it, always lift it.

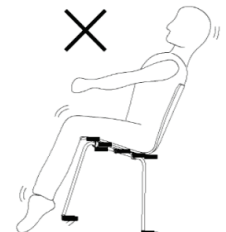
Periodically check all fixings to ensure none have come loose and re-tighten where necessary.

Please take care when handling or moving the furniture as careless handling may cause damage or injury. Furniture can be dangerous if incorrectly installed. Assembly should be carried out by a competent person. No liability will be accepted for damage or injury caused by incorrectly installed or assembled furniture.

Never tilt the chair. Ensure the chair is always placed firmly on the ground.

Regularly check leg attachment and retighten screws as necessary.

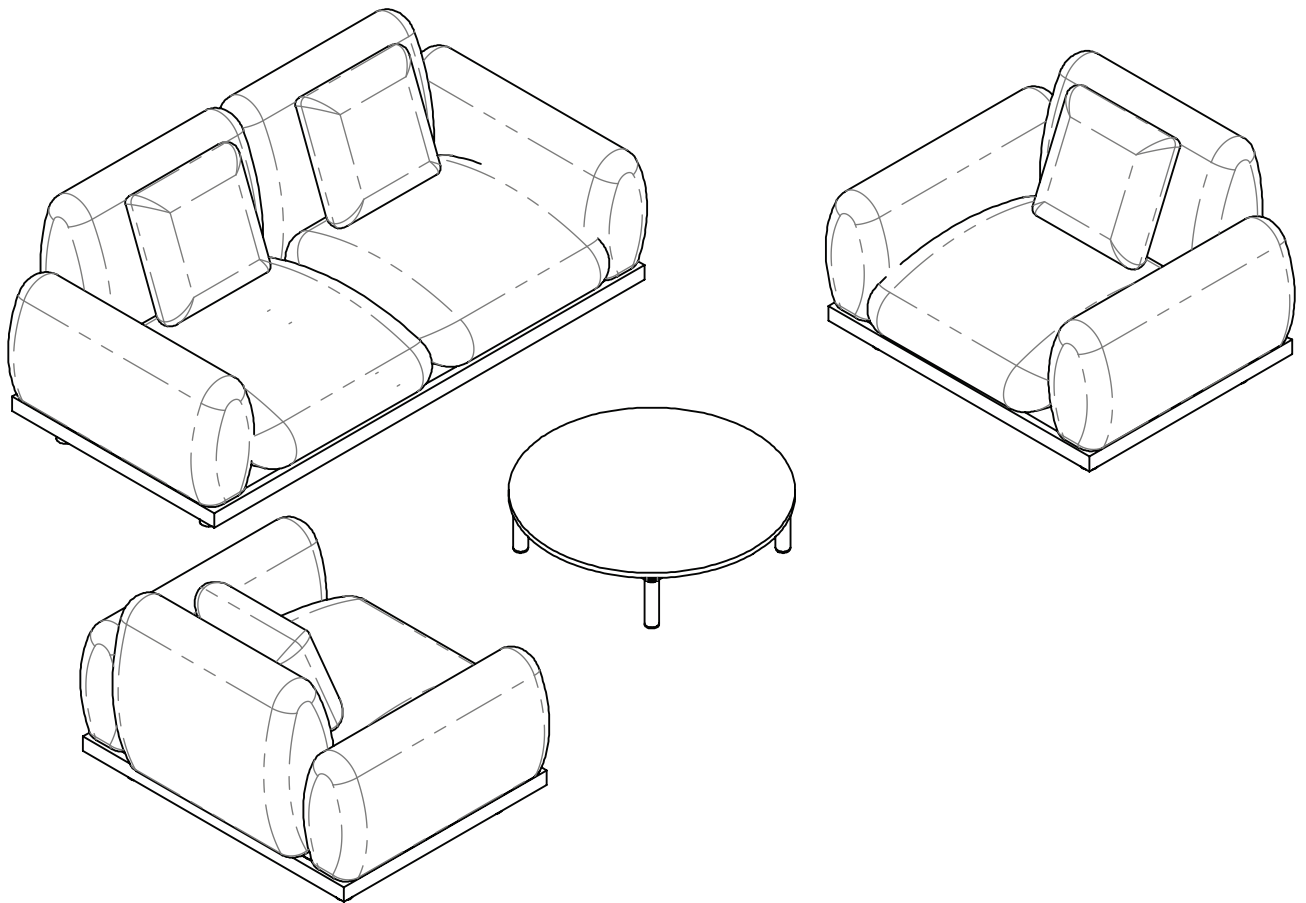
Do not use chair if legs are unstable. Please check fixings and tighten as required.



Maximum Load Capacity: 240lbs

Your feedback is very important to us and we would love to hear your comments on you new furniture. Please visit our website to leave a review. Thank you.

RETAIN THESE INSTRUCTIONS FOR FUTURE REFERENCE.



Sofa: 74.8"W x 39.4"D x 28.7"H

Lounge Chair: 48.4"W x 39.4"D x 28.7"H

Coffee Table: 31.5"W x 31.5"D x 10.2"H

Congratulations on your purchase from Studio London!

In buying one of our quality products, you now own an item we sincerely hope you will love for years to come, without it costing the earth.

Responsibility is one of our core brand values. For every item sold, a tree is planted. Additionally, we invest in carbon reducing schemes, ensure all our materials are sustainably and responsibly sourced, and audit our suppliers to ensure they are safe, supportive, and ethically sound.

We hope you love your item. We would love to hear any feedback or comments.

Visit us at www.studiolondon.net to comment or to find out more, and please follow us on Instagram at [studio_london_design](https://www.instagram.com/studio_london_design).

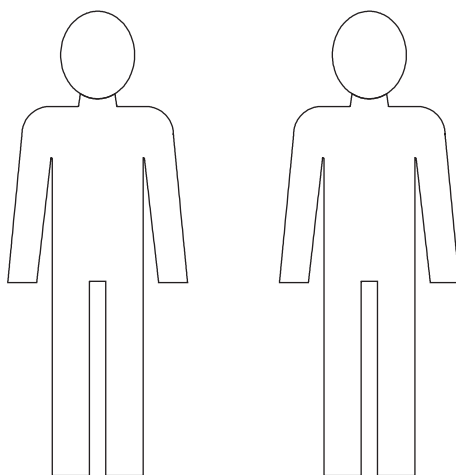
Tools required



Time to assemble

30 mins

People to assemble



Important safety information

Warnings

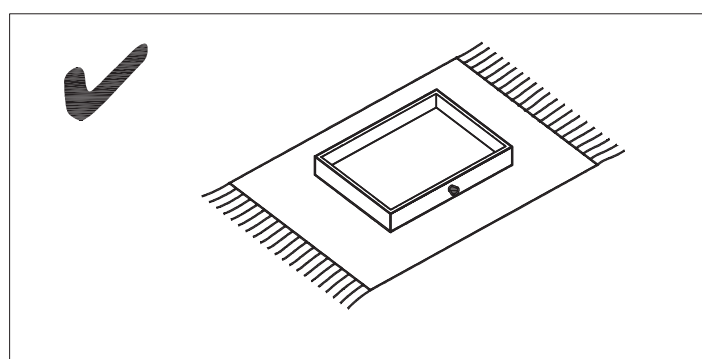
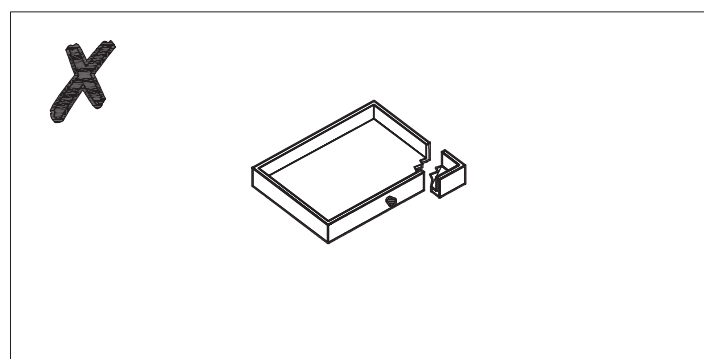
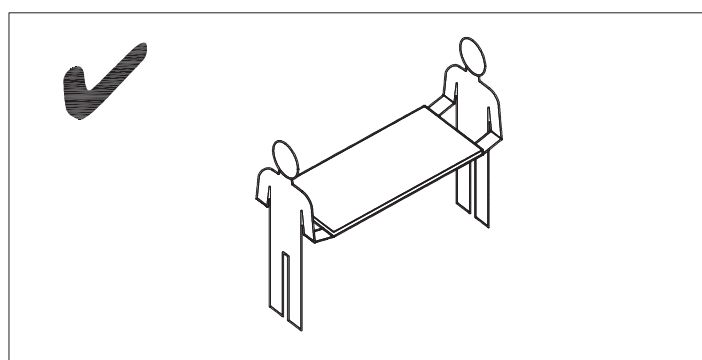
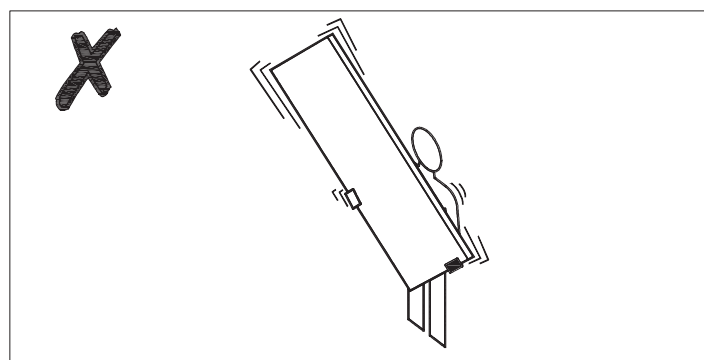
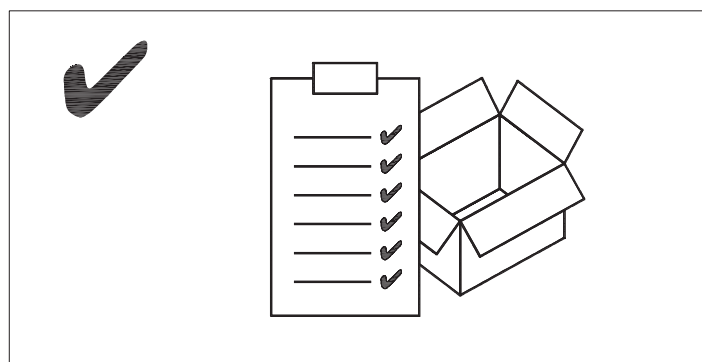
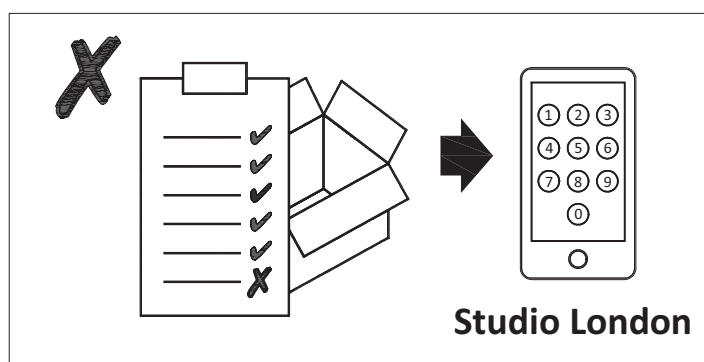
- ⚠ **This product is not suitable for bedrooms.**
- ⚠ The product should only be used on firm, level ground.
- ⚠ Keep small parts out of reach of children.
- ⚠ Ensure the product is fully assembled as illustrated before use.

Do's

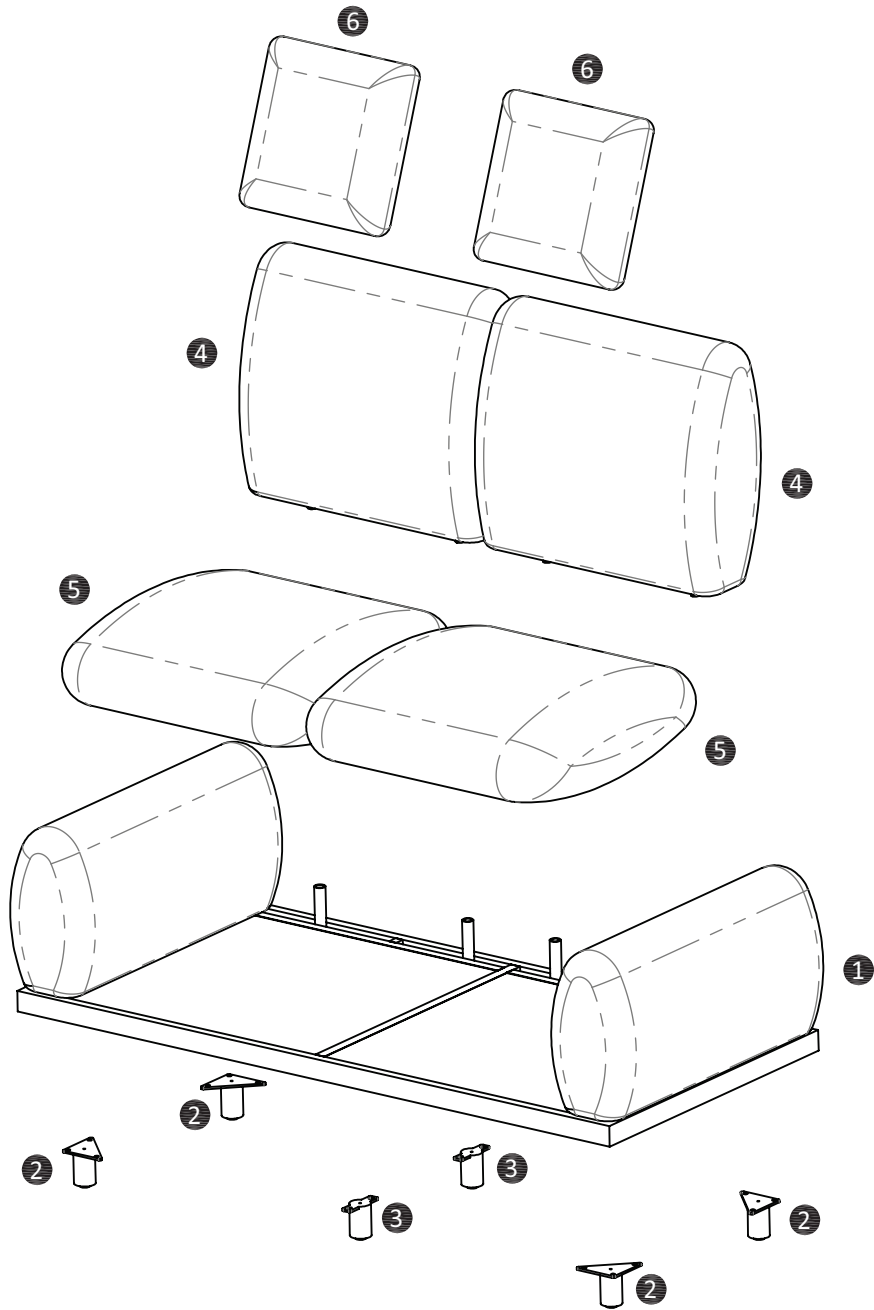
- ✓ Check the pack and make sure you have all the parts listed.
- ✓ Check all screws or bolts are tightened and inspect regularly.
- ✓ Make sure the legs remain in contact with the ground at all times.

Don't

- ✗ Do not over tighten screws or bolts.
- ✗ Do not stand on the product.
- ✗ Do not use power tools to construct as overtightening and panel failure may occur.

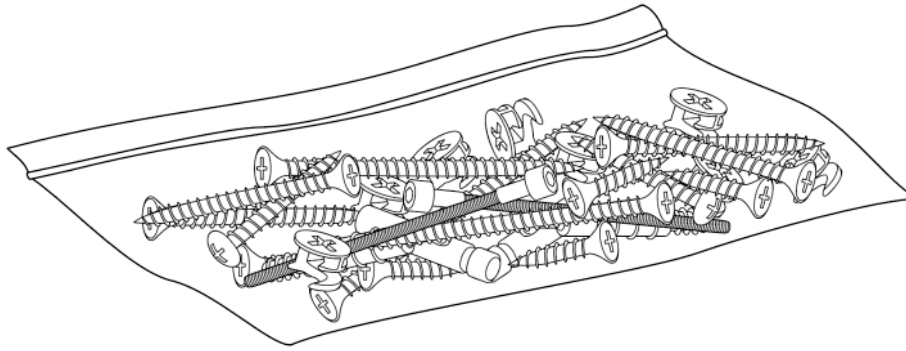


Your Sofa

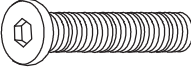
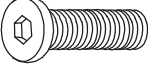



| Ref | Description | Dimensions | Qty |
|-----|--------------|-----------------------|-----|
| ① | Seat frame | 74.8" x 36.6" x 21.3" | 1 |
| ② | Corner legs | 5.9" x 3.1" x 3.5" | 4 |
| ③ | Middle legs | 4.3" x 2" x 3.3" | 2 |
| ④ | Back cushion | 29.1" x 23.2" x 10.6" | 2 |
| ⑤ | Seat cushion | 29.1" x 28" x 9.8" | 2 |
| ⑥ | Pillow | 17" x 17" x 6.3" | 2 |


Fixtures and fittings



Fixtures and fittings
supplied (true to size)

| Ref | Description | Dimensions | Qty | mm |
|----------|------------------|------------|-----|---|
| | | | | 0 10 20 30 40 50 60 70 |
| A | Large allen bolt | M6x25mm | 4 |  |
| B | Small allen bolt | M6x20mm | 16 |  |
| C | Washer | Dia.16mm | 20 |  |

Fixtures and fittings
supplied (not to scale)

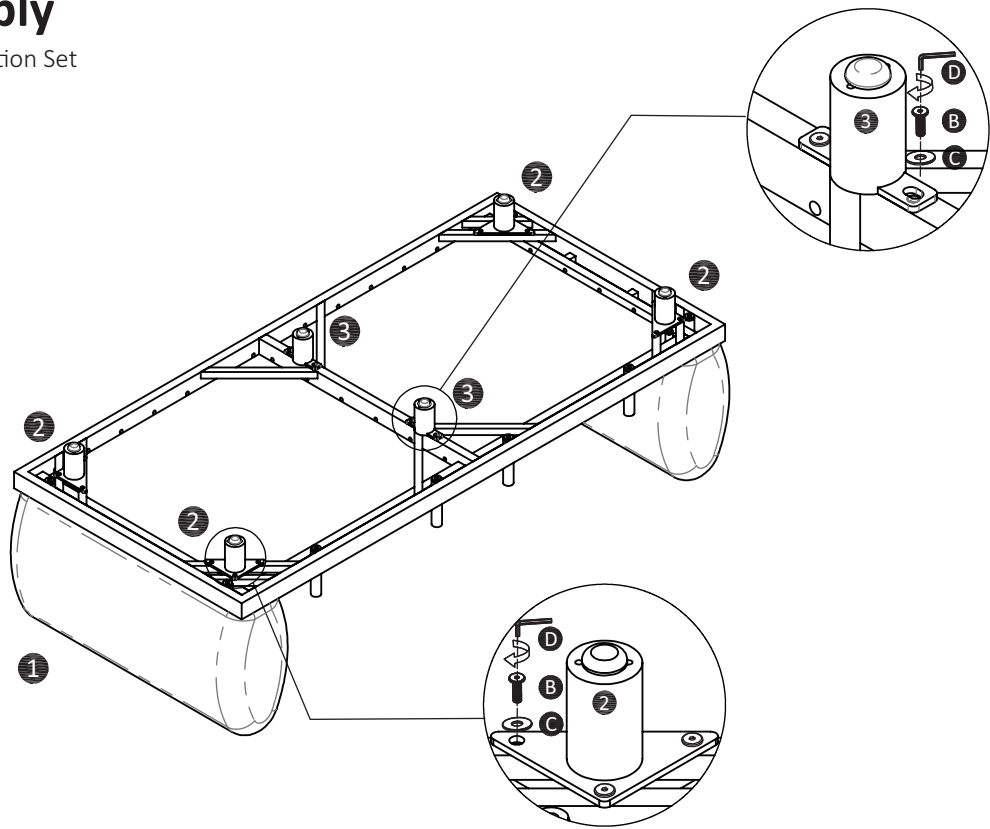
| Ref | Description | Dimensions | Qty | |
|----------|---------------------|------------|-----|---|
| D | Head ball allen key | #4 | 1 |  |

Product assembly

Clifton Outdoor Patio Conversation Set

Step 1

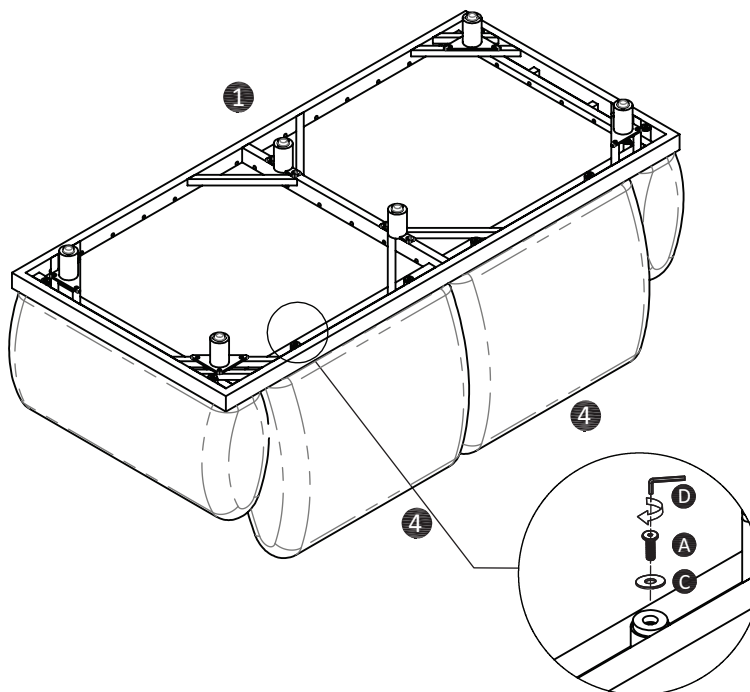
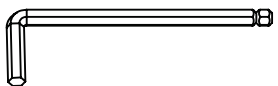
Parts, fittings and tools



Find clear area for assembly, near where you intend to use the sofa. Place Seat frame (1) upside down onto a padded, non-marring surface. Position the Corner legs (2) and Middle legs (3) on Seat frame (1) as shown. Secure the Corner leg (2) and Middle legs (3) by inserting the Small allen bolt (B) and Washers (C). Stacking the hardware in the order as shown, then fully tighten using the provided Head ball allen Key (D)

Step 2

Parts, fittings and tools



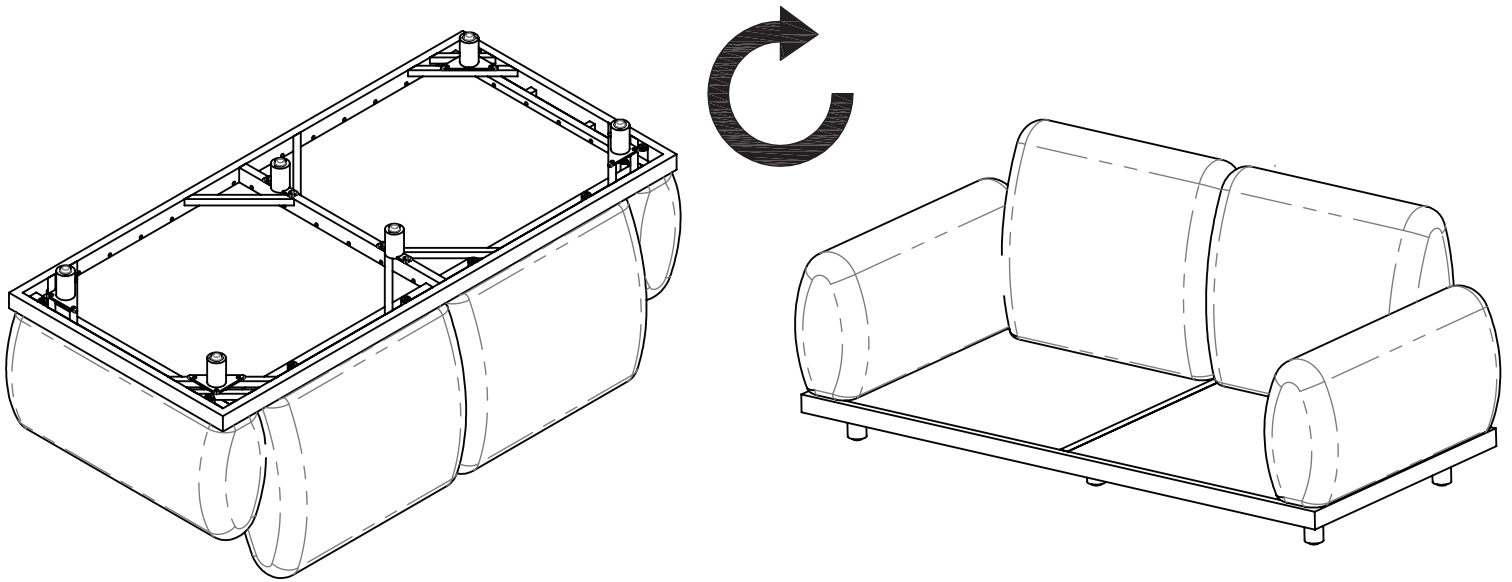
Locate and secure the Back cushion (4) using the Large allen bolts (A) and Washers (C). Stacking the hardware in the order as shown. Engage all hardware first, then fully tighten using the provided tighten with the Head ball allen key (D).

Product assembly

Clifton Outdoor Patio Conversation Set

Step 3

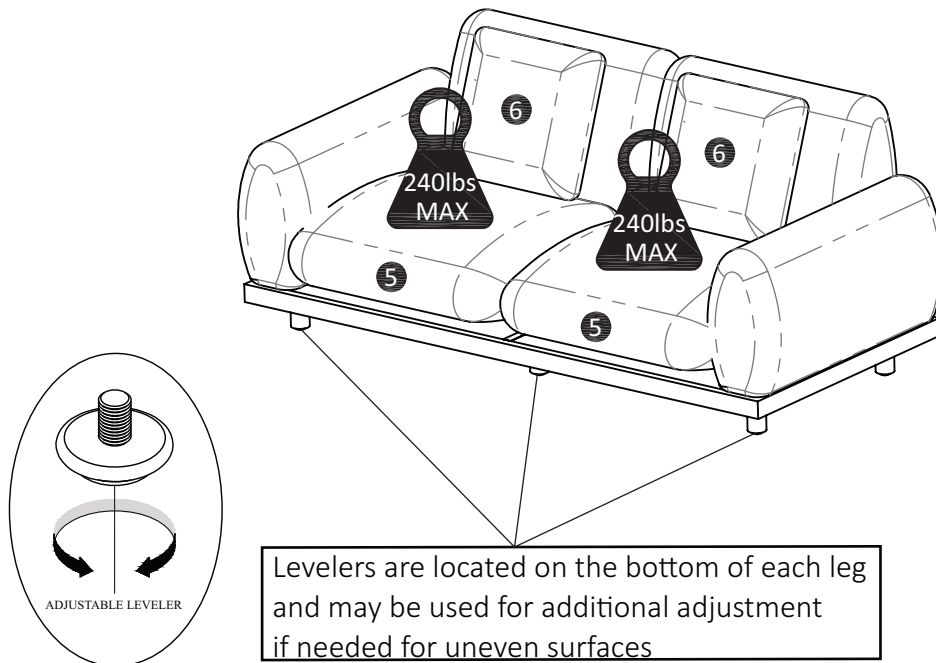
Parts, fittings and tools



With 2 people carefully place this product on its feet. Take care when lifting not to damage the legs.

Step 4

Parts, fittings and tools



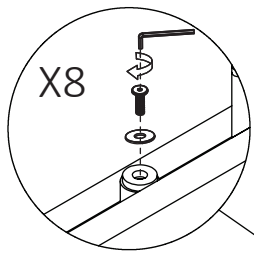
Levelers are located on the bottom of each leg and may be used for additional adjustment if needed for uneven surfaces

Position Seat cushion (5) and Pillow (6) into position as shown.

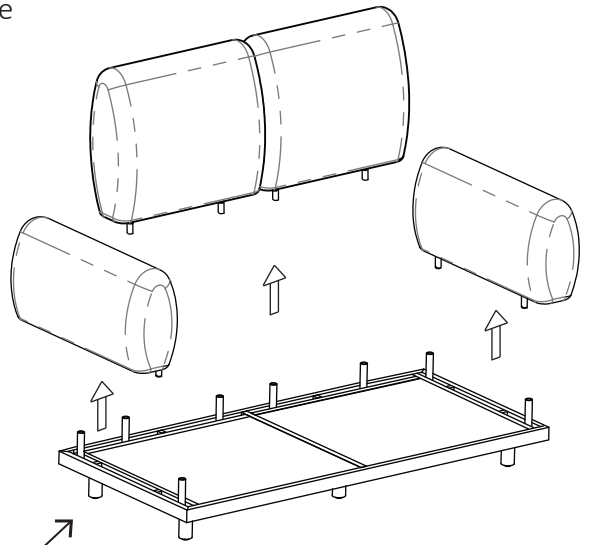
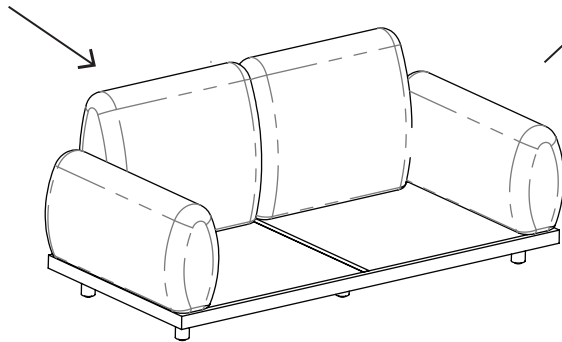
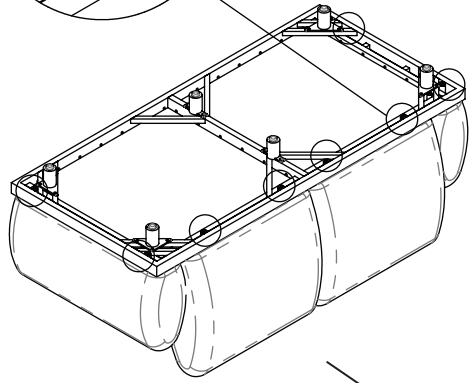
Adjustable levelers are located on the bottom of each leg and may be adjusted by turning outwards, counter-clockwise to help account for uneven surfaces.

Product assembly

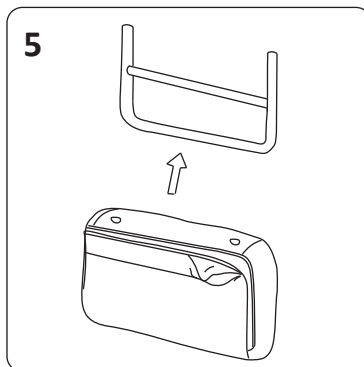
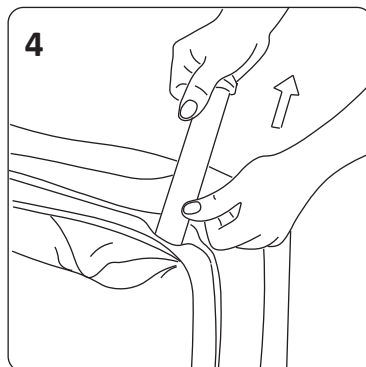
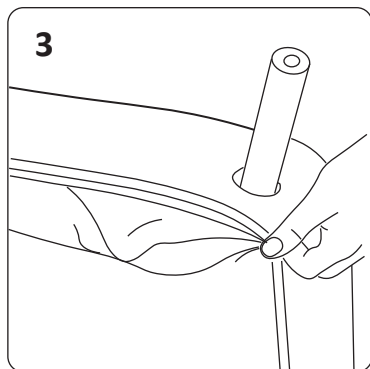
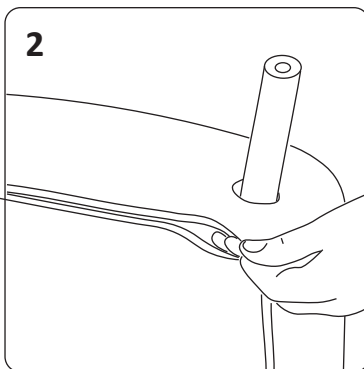
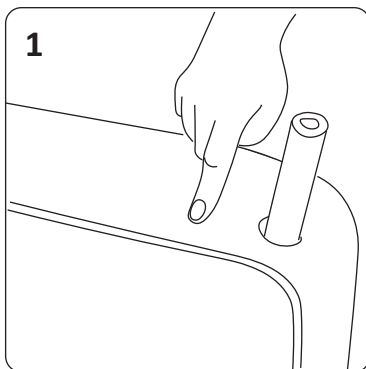
Clifton Outdoor Patio Conversation Set



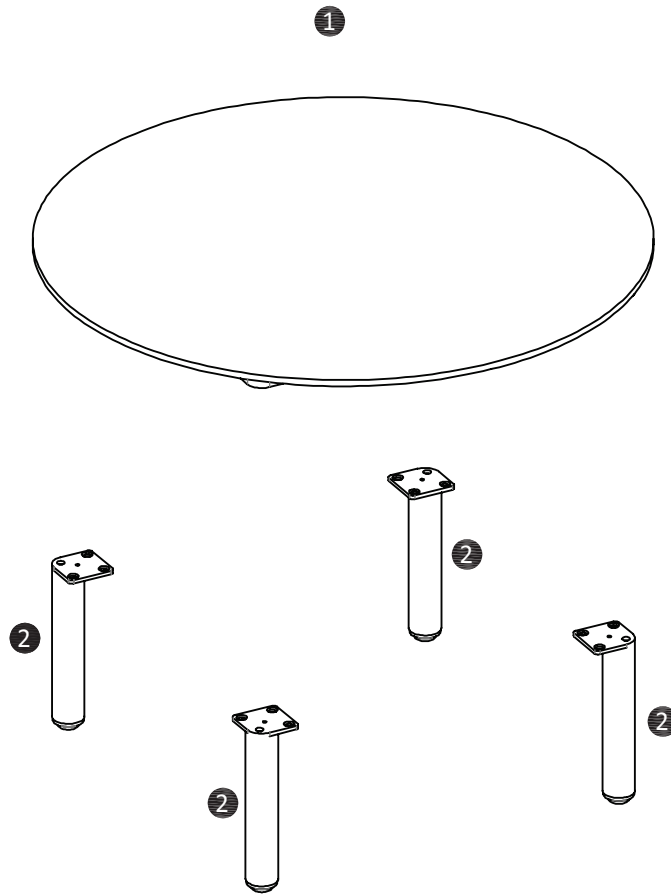
In case of rain, you can remove the cushions by unscrewing the bolts located underneath the base of the sofa....



.....Unzip the cover and detach the cushion from the frame when washing or cleaning is needed.

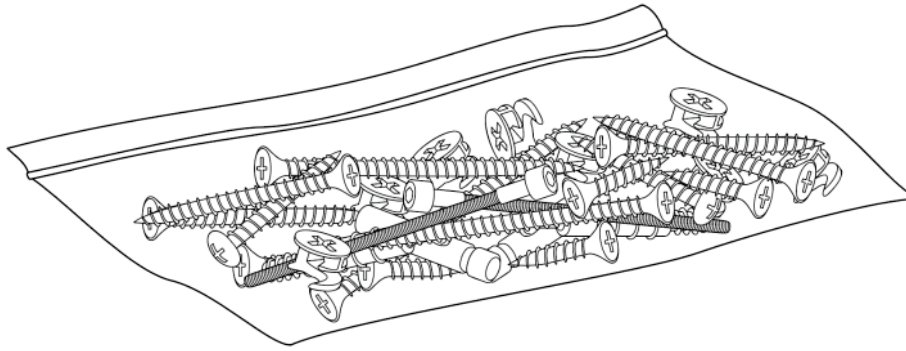


Your Coffee Table

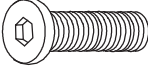



| Ref | Description | Dimensions | Qty |
|-----|-------------|--------------------|-----|
| ① | Table top | 31.5" x 31.5" x 1" | 1 |
| ② | Leg | 3.1" x 3.1" x 9.3" | 4 |


Fixtures and fittings



Fixtures and fittings
supplied (true to size)

| Ref | Description | Dimensions | Qty | mm |
|----------|-------------|------------|-----|--|
| | | | | 0 10 20 30 40 50 60 70 |
| B | Allen bolt | M6x20mm | 16 |  |
| C | Washer | Dia.16mm | 16 |  |

Fixtures and fittings
supplied (not to scale)

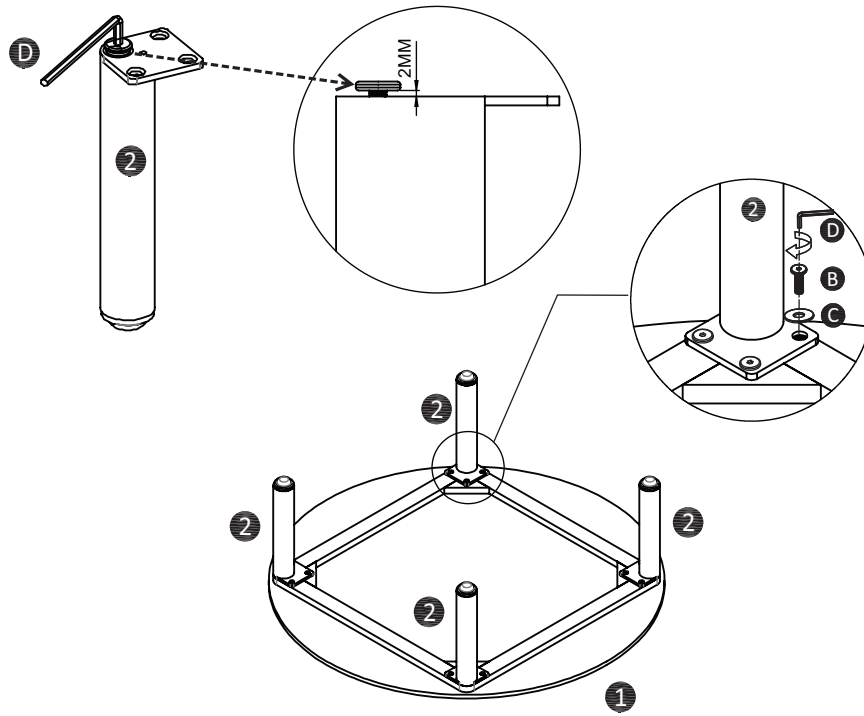
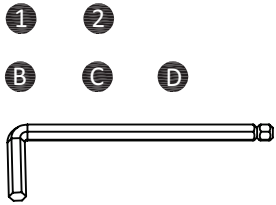
| Ref | Description | Dimensions | Qty | |
|----------|---------------------|------------|-----|---|
| D | Head ball allen key | #4 | 1 |  |

Product assembly

Clifton Outdoor Patio Conversation Set

Step 1

Parts, fittings and tools



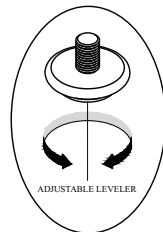
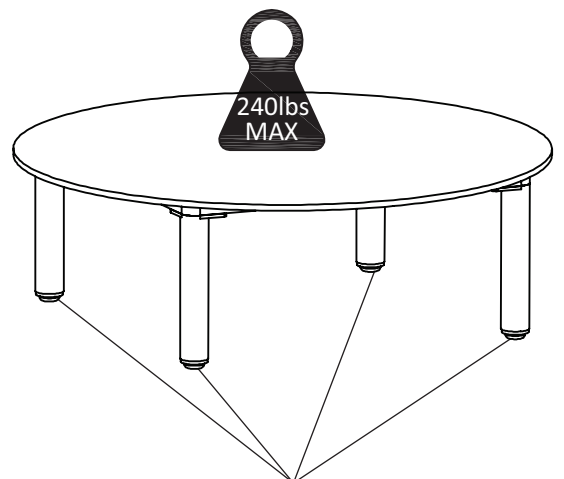
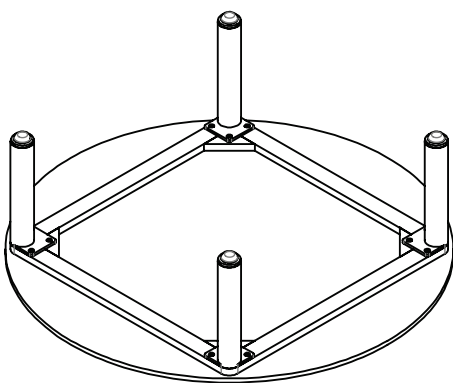
Place Table top (1) upside down onto a padded, non-marring surface.

Using Allen key adjust the bolt on the legs to about 2mm.

Position the Legs (2) on Seat frame (1) as shown. Secure the Legs (2) by inserting the Allen bolt (B) and Washers (C). Stacking the hardware in the order as shown, then fully tighten using the provided Head ball allen key (D)

Step 2

Parts, fittings and tools



Levelers are located on the bottom of each leg and may be used for additional adjustment if needed for uneven surfaces

Carefully place this product on its feet. Take care when lifting not to damage the legs.

Assembly is now complete and the product is ready for use. Adjustable levelers are located on the bottom of each leg and may be adjusted by turning outwards, counter-clockwise to help account for uneven surfaces.

Care and maintenance

How to care for your outdoor furniture

- Wash your outdoor furniture annually, scrub with soapy water followed by a thorough rinse. Do not use any abrasive cleaner or harsh detergent as this can damage the surface.
- Periodically check all fixings to ensure none have come loose and re-tighten where necessary.
- Do not drag any objects across the surface, as this can cause permanent damage.
- We recommend that all garden furniture is covered when not in use and stored for winter. Ensure your furniture is clean and completely dry before being covered. The cover must be breathable to prevent mildew and/or mould developing. If storing away, ensure the space is not heated but dry with good airflow.

How to care for your outdoor cushions

- To keep outdoor cushions in the best possible condition, we recommend keeping them covered when not in use and/or in wet conditions (using a breathable cover) and store them inside over winter. Do not store in polythene bags or they may develop mould.
- To clean the cushions, remove the covers and gently spot clean using upholstery shampoo or warm soapy water (with a mild detergent) to blot out any stains as soon as they occur.

How to care for your ceramic top

Here are some guidelines to keep your stone countertop in the best condition:

- Clean the countertop daily after use. Use a microfiber cloth to remove any residue on the surface regularly.
- Clean the countertop with warm water and a cleaner recommended by the manufacturer. Avoid using products that contain hydrofluoric acid and its derivatives.
- Immediately wipe up spills. Cleaning and drying promptly will help remove stains more easily.
- Avoid using wax, oil-based soaps, sealants, or oil repellents on the countertop. These treatments are unnecessary and can leave an oily film on the surface, especially when using cleaners with polishing additives or wax.
- Be careful not to let heavy or sharp objects strike the countertop, as this can cause chipping or cracking, especially along the edges, which are more susceptible to structural damage.

Stone surfaces warning:

Be very careful when using knives, **especially ceramic knives which can cause scratches on the stone surface.**

Safety Instructions

Never drag furniture when moving it, always lift it.

Periodically check all fixings to ensure none have come loose and re-tighten where necessary.

Please take care when handling or moving the furniture as careless handling may cause damage or injury.

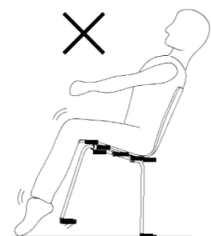
Furniture can be dangerous if incorrectly installed. Assembly should be carried out by a competent person.

No liability will be accepted for damage or injury caused by incorrectly installed or assembled furniture.

Never tilt the chair. Ensure the chair is always placed firmly on the ground.

Regularly check leg attachment and retighten screws as necessary.

Do not use chair if legs are unstable. Please check fixings and tighten as required.



Maximum Load Capacity: 240lbs per seat and table top

Your feedback is very important to us and we would love to hear your comments on you new furniture. Please visit our website to leave a review. Thank you.

RETAIN THESE INSTRUCTIONS FOR FUTURE REFERENCE.