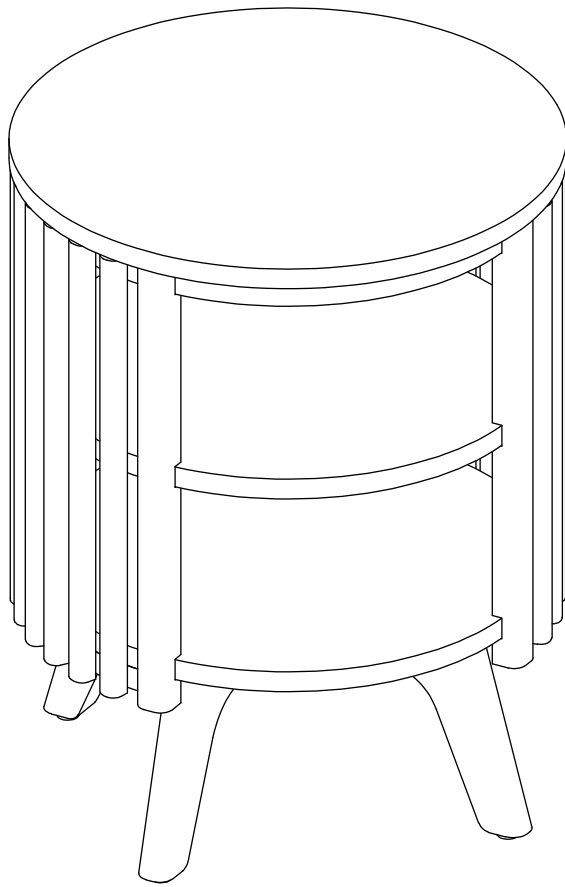


**Studio  
London.**

**Sierra Side Table**  
Assembly instructions



17.5"W x 17.5"D x 22.5"H

Congratulations on your purchase from Studio London!

In buying one of our quality products, you now own an item we sincerely hope you will love for years to come, without it costing the earth.

Responsibility is one of our core brand values. For every item sold, a tree is planted. Additionally, we invest in carbon reducing schemes, ensure all our materials are sustainably and responsibly sourced, and audit our suppliers to ensure they are safe, supportive, and ethically sound.

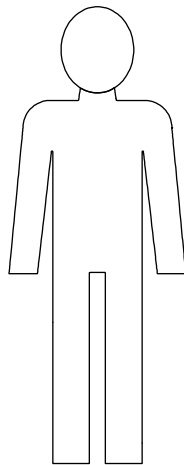
We hope you love your item. We would love to hear any feedback or comments. Visit us at [www.studiolondon.net](http://www.studiolondon.net) to comment or to find out more, and please follow us on Instagram at [studio\\_london\\_design](https://www.instagram.com/studio_london_design).

## Tools required



**Time to assemble**  
15 mins

**People to assemble**



# Important safety information

## Warnings

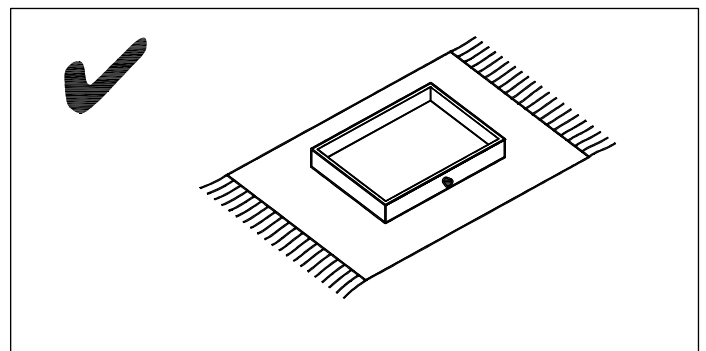
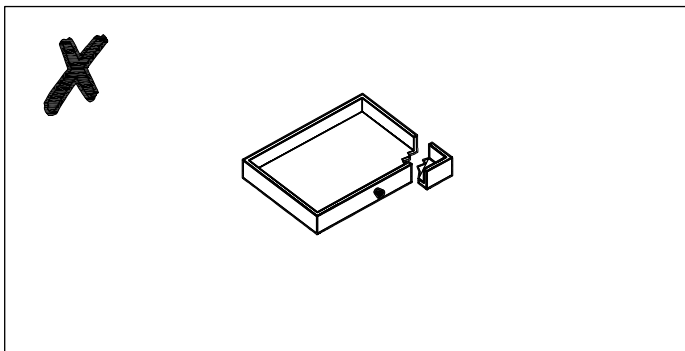
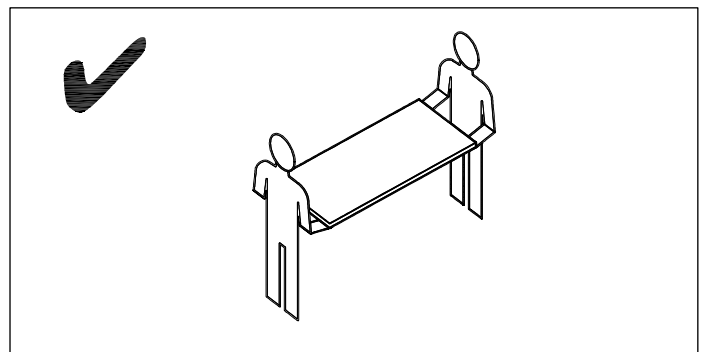
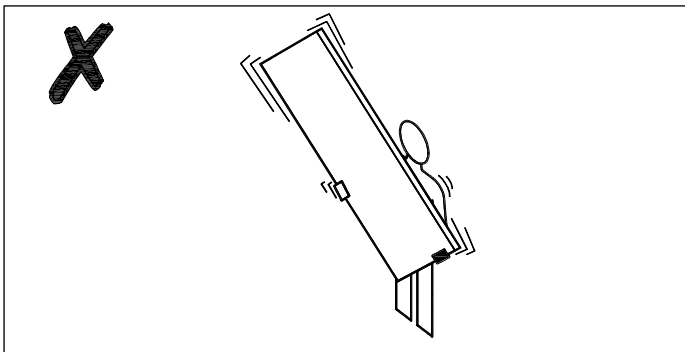
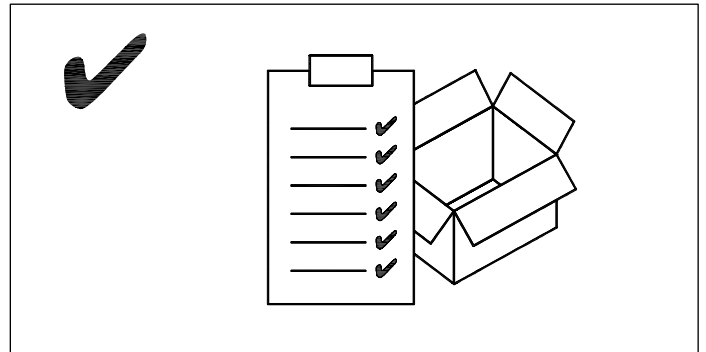
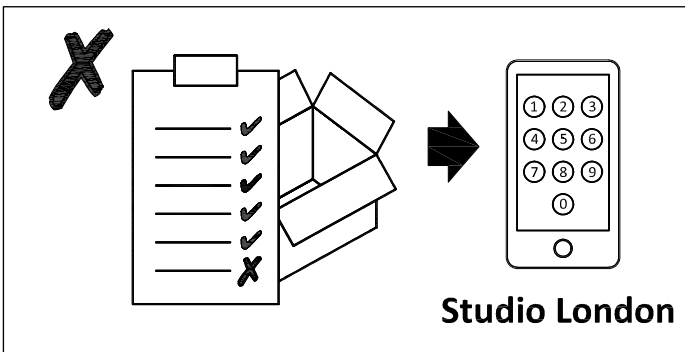
- ⚠ This product is not suitable for bedrooms.
- ⚠ The product should only be used on firm, level ground.
- ⚠ Keep small parts out of reach of children.
- ⚠ Ensure the product is fully assembled as illustrated before use.

## Do's

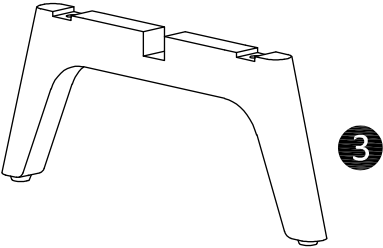
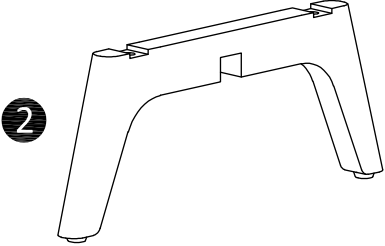
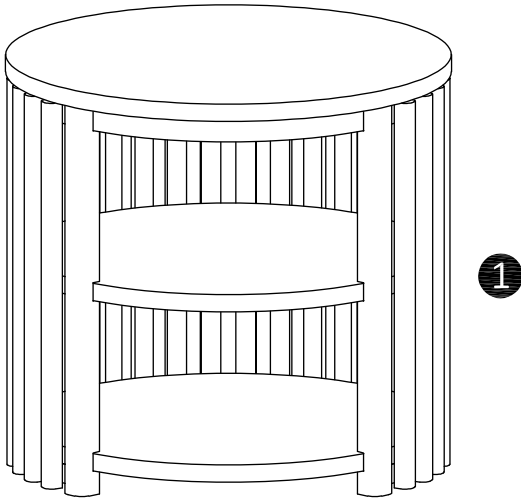
- ✓ Check the pack and make sure you have all the parts listed.
- ✓ Check all screws or bolts are tightened and inspect regularly.
- ✓ Make sure the legs remain in contact with the ground at all times.

## Don't

- ✗ Do not over tighten screws or bolts.
- ✗ Do not stand on the product.
- ✗ Do not use power tools to construct as overtightening and panel failure may occur.

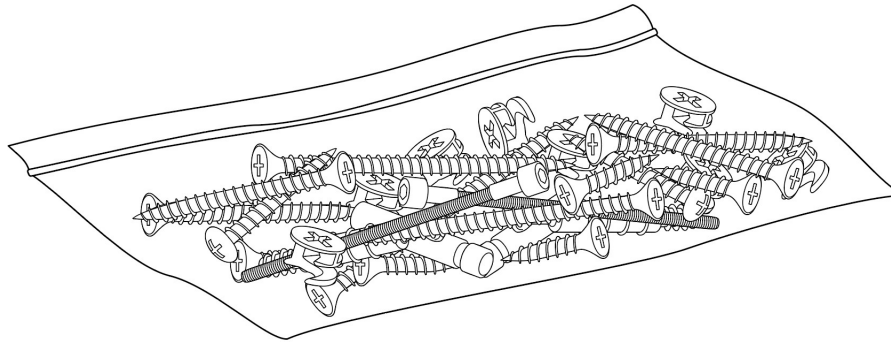


# Your Side Table

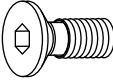
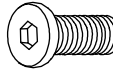


Ref	Description	Dimensions	Qty
①	Cabinet	17.5" x 17.5" x 16.5"	1
②	Upper leg	17.5" x 7" x 3.5	1
③	Lower leg	17.5" x 7" x 3.5	1

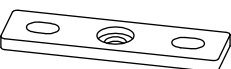

# Fixtures and fittings



## Fixtures and fittings supplied (actual size)

Ref	Description	Dimensions	Qty	mm 0 10 20 30 40 50 60 70
<b>A</b>	Bolt hexagon	M6 x 15mm	4	
<b>B</b>	Allen bolt	M6 x 15mm	8	

## Fixtures and fittings supplied (not actual size)

Ref	Description	Dimensions	Qty	
<b>C</b>	Bracket	90 x 25 x 3mm	4	
<b>D</b>	Allen key	#4	1	

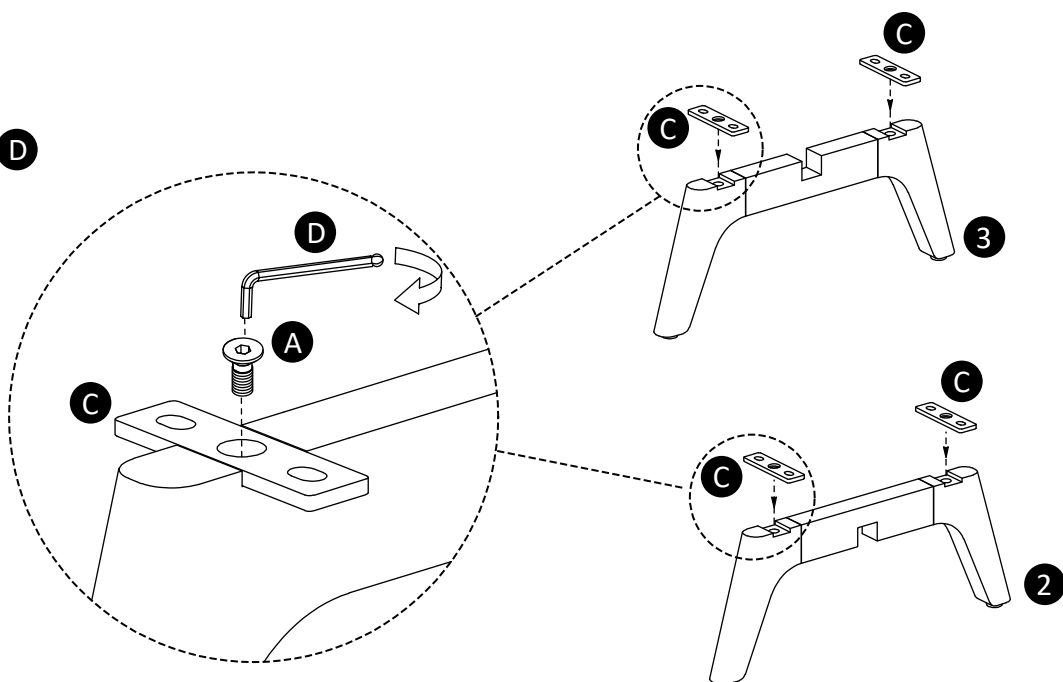
# Product assembly

Sierra Side Table

## Step 1

Parts, fittings and tools

2 3 A C D

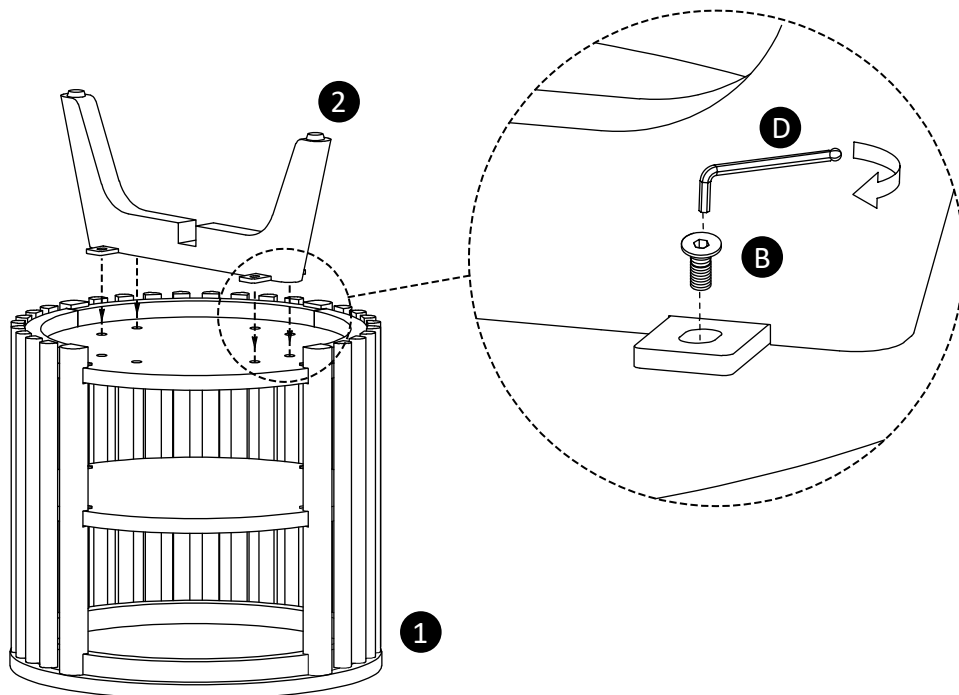


Use the bolts (A) and the allen key (D) to fix the bracket (C) to the upper leg (2).  
Do the same for the lower leg (3).

## Step 2

Parts, fittings and tools

1 2 B D



Find a clear area for assembly, near where you intend to use the side table. Place the cabinet (1) upside down on a soft surface. Then use the allen bolt (B) and allen key (D) to fix the upper leg (2) onto the cabinet as shown above.

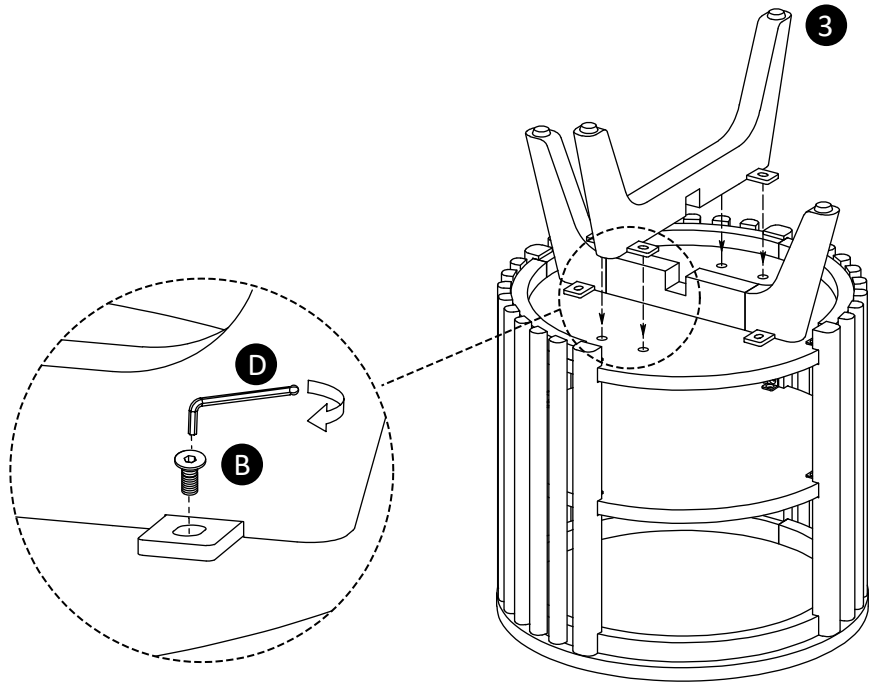
# Product assembly

Sierra Side Table

## Step 3

Parts, fittings and tools

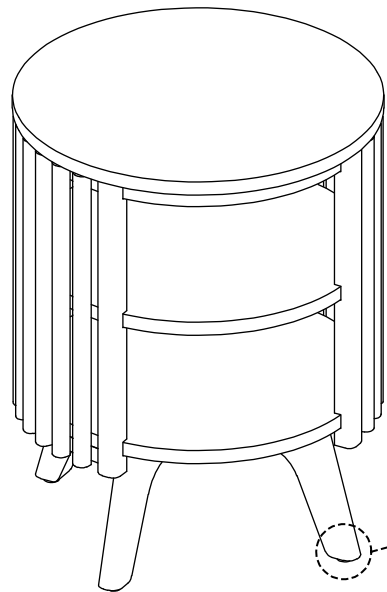
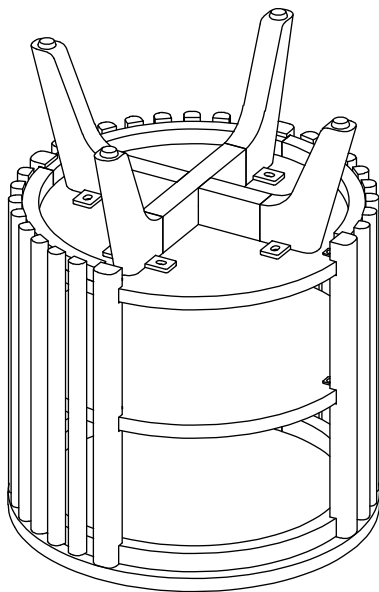
3 B D



Use the allen bolt (B) and allen key (D) to fix the lower leg (3) onto the cabinet as shown above.

## Step 4

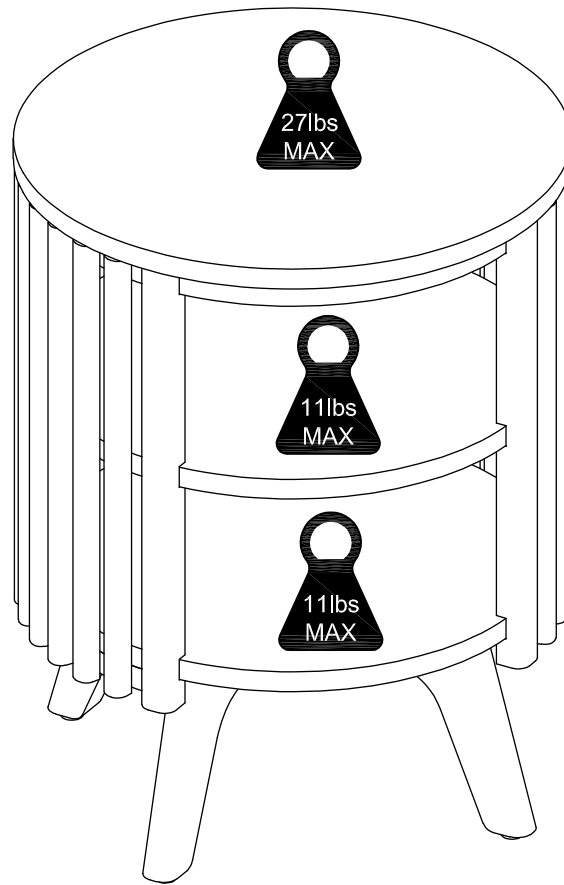
Parts, fittings and tools



Carefully place the side table on its feet. Take care when lifting not to damage the legs. Turn the adjustable feet to allow the side table to sit flat on the ground.

# Product assembly

Sierra Side Table



## Care and maintenance

### Wood furniture

Wood displays different grain patterns depending on which way they are cut - for example, the 'medullary ray' which can appear on oak furniture is a mark of good quality timber - these are just characteristics of the natural beauty of the wood. Some furniture is also deliberately aged and rustic.

Wood veneers also allow a distinctive pattern to be created on some surfaces, such as tabletops and drawer fronts by the way slivers are arranged.

All timber and veneer surfaces will change colour and mellow over time. New furniture will initially vary in shade from items that have been previously purchased.

### How to care for your wood furniture

Furniture with a hard lacquer, wax polish or painted surface should be dusted with a dry cloth.

Waxed furniture will need to be given a coat of beeswax a couple of times a year to help maintain its lustre.

Spray polishes are best avoided as they contain silicones which may spoil the furniture's surface when building up over time.

Make sure all surfaces are protected from the heat and liquids by mats and coasters. Wipe up spills immediately and ensure that a mat or pad is placed under paper if you are writing.

Our furniture will endure most temperatures in the home, but it is best to avoid placing furniture next to heat sources such as radiators or fires. Be particularly careful with solid wood as the lack of humidity caused by home heating can cause damage such as warping.

### Caution

This wood has a painted surface that can scratch. Please avoid contact with hard, sharp objects. Avoid placing plant pots or vases without waterproof mats to prolong the life of the product.

**Please do not sit or lean on this product.**

**Maximum Load Capacity:** 27lbs for the top surface, 11lbs for each shelf

Retain these instructions for future reference.

**Your feedback is very important to us and we would love to hear your comments on you new furniture. Please visit our website to leave a review. Thank you.**