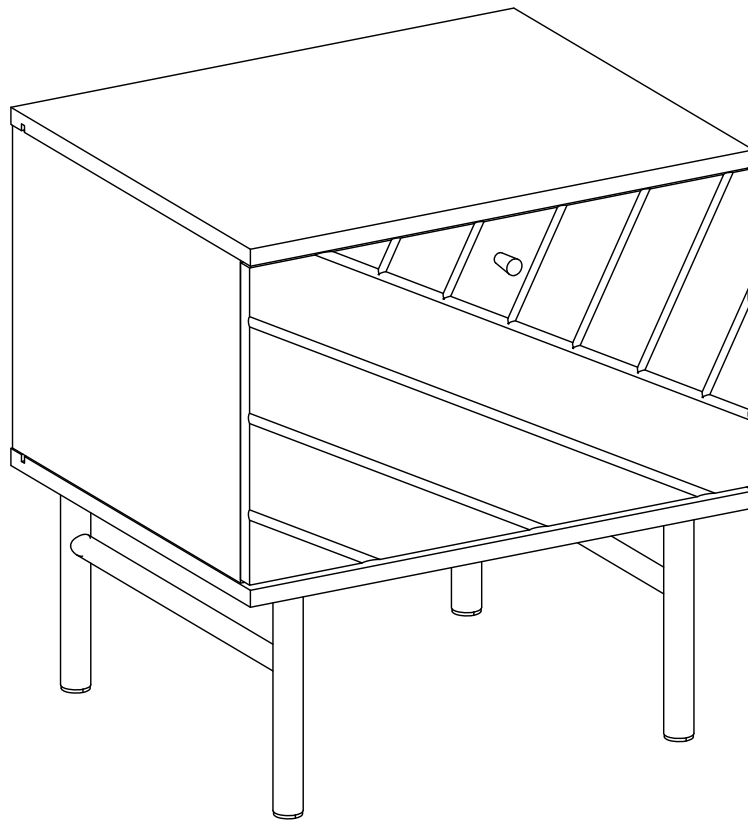


**Studio  
London.**

**Amara Side Table - Black Wood**  
Stock number: SLAMASTMEL01



**19"W x 15.6"D x 20"H**

Congratulations on your purchase from Studio London!

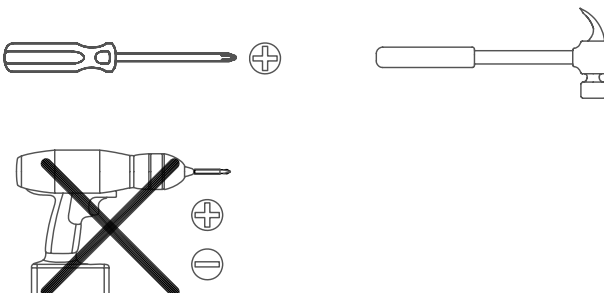
In buying one of our quality products, you now own an item we sincerely hope you will love for years to come, without it coating the earth.

Responsibility is one of our core brand values. For every item sold, a tree is planted. Additionally, we invest in carbon reducing schemes, ensure all our materials are sustainable and responsibly sourced, and audit our suppliers to ensure they are safe, supportive and ethically sound.

We hope you love your item. We would love to hear any feedback or comment.

Visit us at [www.studiolondon.net](http://www.studiolondon.net) to comment or to find out more, and please follow us on instagram at [studio\\_london\\_design](https://www.instagram.com/studio_london_design).

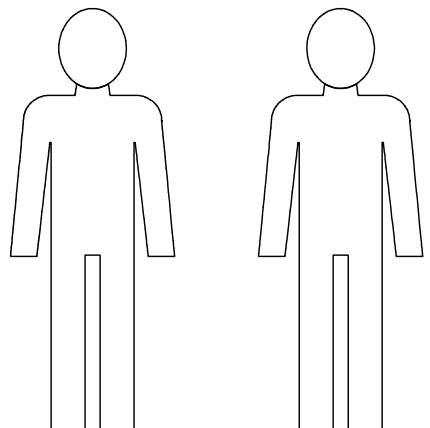
**Tools required**



Don't use an electric screwdriver to assemble the cabinet panels.

**Time to assemble**  
30 mins

**People to assemble**



## Important safety information

### Warnings

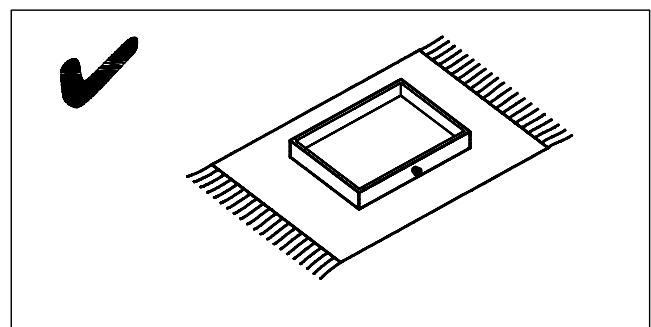
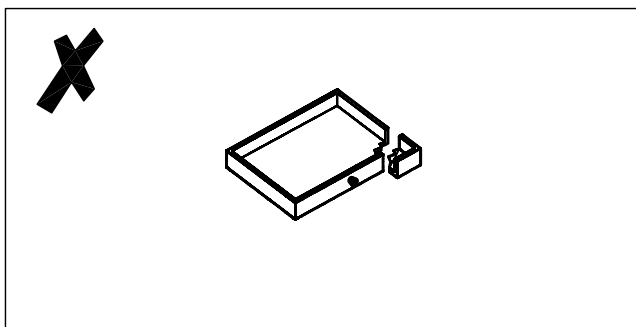
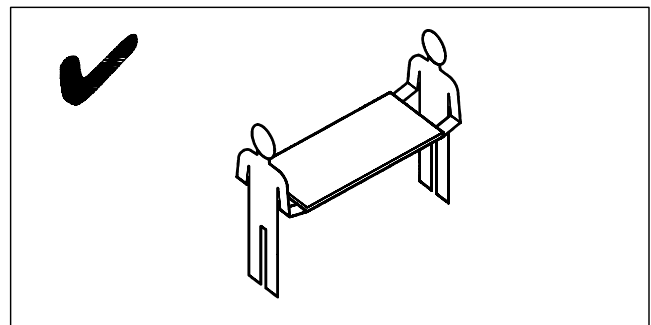
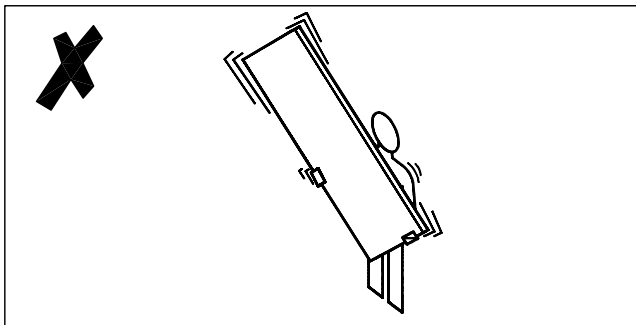
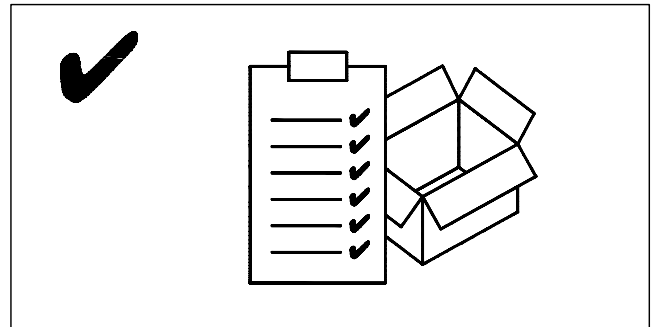
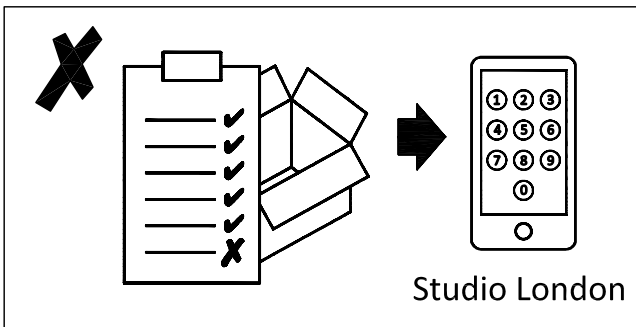
- ⚠ The product should only be used on firm, level ground.
- ⚠ Keep small parts out of reach of children.
- ⚠ Ensure the product is fully assembled as illustrated before use.

### Do's

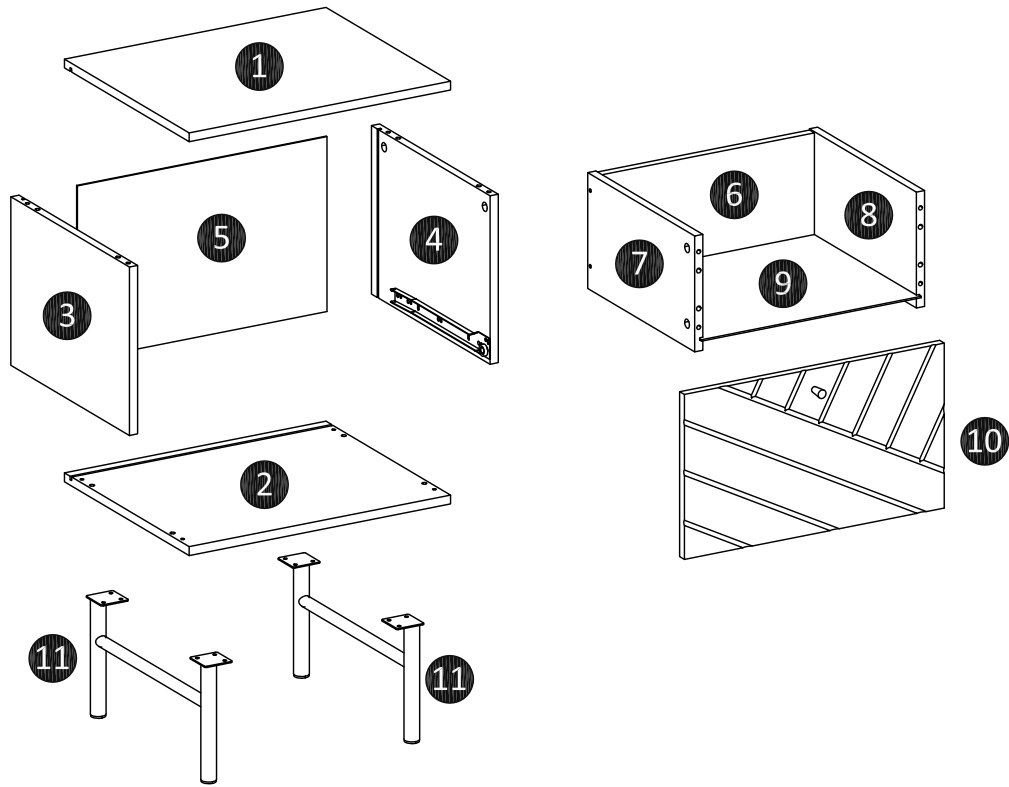
- ✓ Check the pack and make sure you have all the parts listed.
- ✓ Check all screws or bolts are tightened and inspect regularly.
- ✓ Make sure the legs remain in contact with the ground all time.

### Don't

- ✗ Do not over tighten screws or bolts.
- ✗ Do not stand on the product.
- ✗ Do not use power tools to construct as overtightening and panel failure may occur.

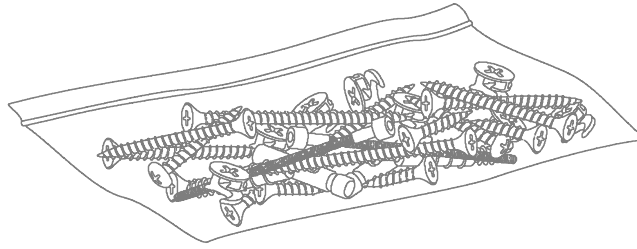


# Your Side Table


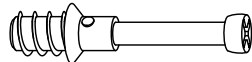
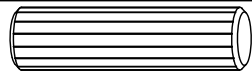
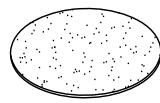

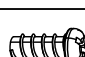
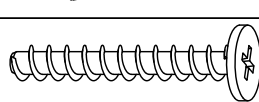


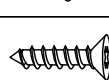


Ref	Description	Dimensions	Qty
①	Top panel	18.9" x 15.6" x 0.6"	1
②	Bottom panel	18.9" x 15.6" x 0.6"	1
③	Left panel	11.2" x 14.8" x 0.6"	1
④	Right panel	11.2" x 14.8" x 0.6"	1
⑤	Backboard	18" x 11.6" x 0.09"	1
⑥	Rear drawer	15.4" x 7.6" x 0.6"	1
⑦	Left drawer	13.4 x 7.7 x 0.6"	1
⑧	Right drawer	13.4 x 7.7 x 0.6"	1
⑨	Bottom drawer	15.9" x 13.2" x 0.09"	1
⑩	Front drawer	11" x 18.8" x 0.6"	1
⑪	Metal leg	15" x 2 x 7.9"	2



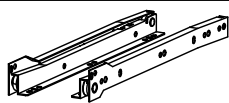
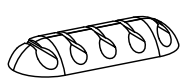
# Fixtures and fittings



## Fixtures and fittings Supplied (true to size)

Ref	Description	Dimensions	Qty	mm 10 20 30 40 50 60 70 80 90
<b>A</b>	Cam-fix	Dia.15mm	8	
<b>B</b>	Cam-bolt	M7.5 x 32mm	8	
<b>C</b>	Plastic dowel	M8 x 32mm	16	
<b>D</b>	Cam-Sticker	Dia.20mm	8	
<b>E</b>	screw	M4 x 19mm	8	
<b>F</b>	screw	M4 x 10mm	12	
<b>G</b>	screw	M10 x 33.5mm	8	
<b>H</b>	screw	M4 x 20mm	1	
<b>I</b>	screw	M6 x 8mm	4	
<b>J</b>	screw	M6 x 13mm	4	

## Fixtures and fittings Supplied (not to scale)

Ref	Description	Dimensions	Qty	
<b>K</b>	Backply stopper	N/A	8	
<b>L</b>	Handle	N/A	1	
<b>M</b>	Drawer Rail	300 mm	1	
<b>N</b>	Cable clamp	N/A	1	

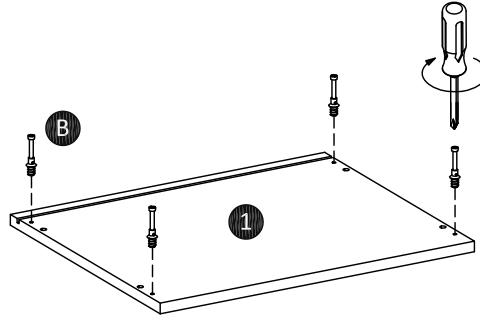
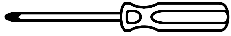
# Product assembly

Amara Side Table - Black Wood  
SLAMASTMEL01

## Step 1

Parts, fittings and tools

1 B

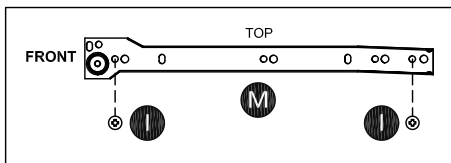
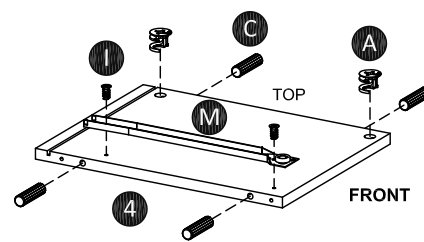
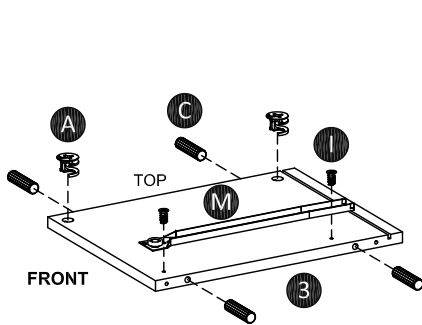
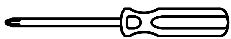


Attach cam-bolt (B) to top panel (1) using screwdriver.

## Step 2

Parts, fittings and tools

3 4 A C I M



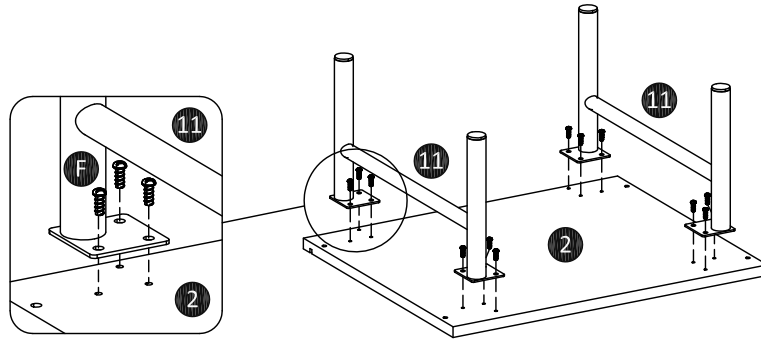
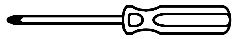
Insert cam-fix (A) and plastic dowel (C) into left panel (3) and right panel (4).  
Attach drawer rail (M) to left panel (3) and right panel (4) using screw (I).

# Product assembly

Amara Side Table - Black Wood  
SLAMASTMEL01

## Step 3

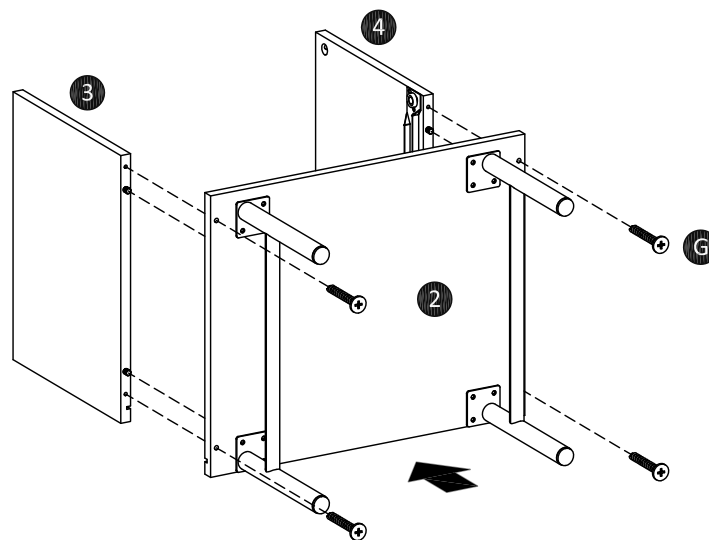
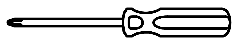
Parts, fittings and tools



Attach metal leg (11) to bottom panel (2) using screw (F) as shown.

## Step 4

Parts, fittings and tools



Attach left panel (3) and right panel (4) to bottom panel (2) using screw (G) as shown.

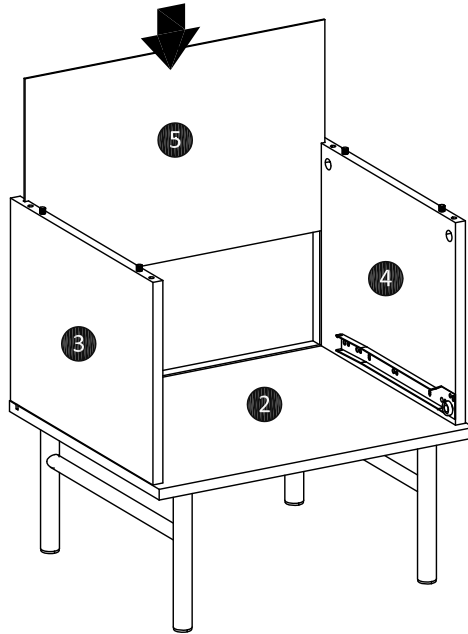
# Product assembly

Amara Side Table - Black Wood  
SLAMASTMEL01

## Step 5

Parts, fittings and tools

5

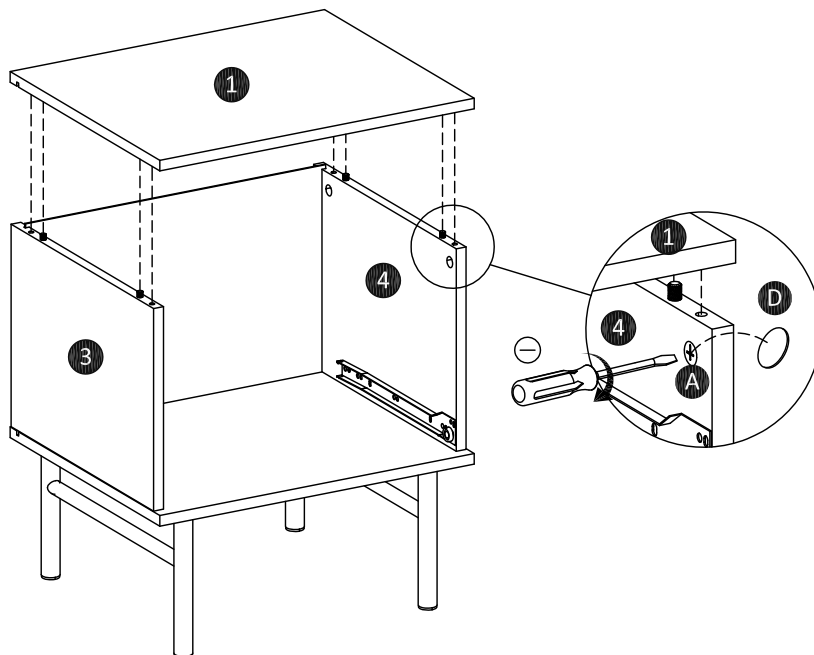
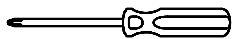


Insert backboard (5) into case assembly as shown.

## Step 6

Parts, fittings and tools

1 3 4 A D



Attach top panel (1) to case assembly as shown.  
Turn the cam-lock (A) clockwise to lock using screwdriver, then paste cam-sticker (D).



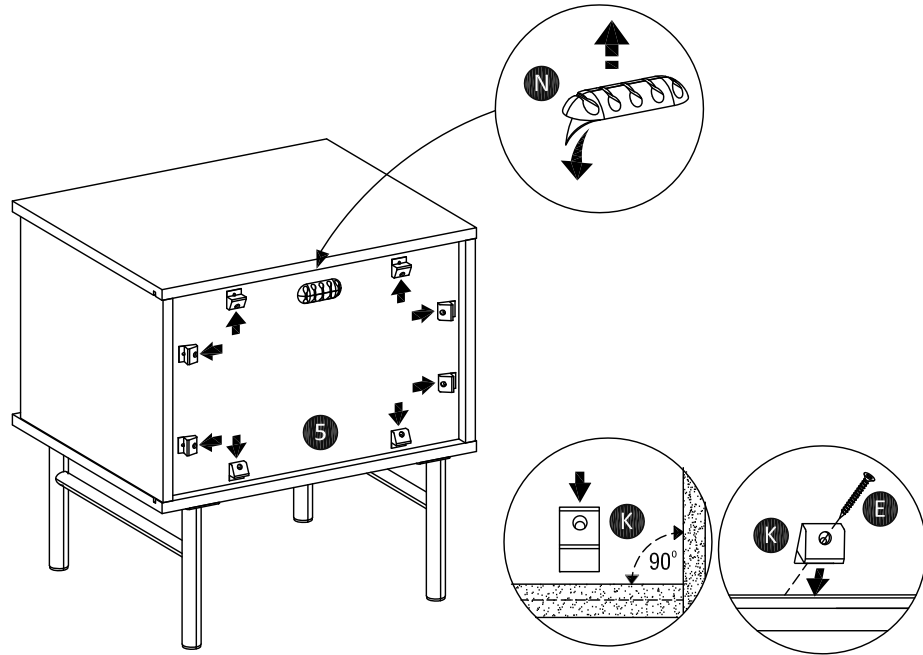
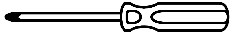
# Product assembly

Amara Side Table - Black Wood  
SLAMASTMEL01

## Step 7

Parts, fittings and tools

5 E K N

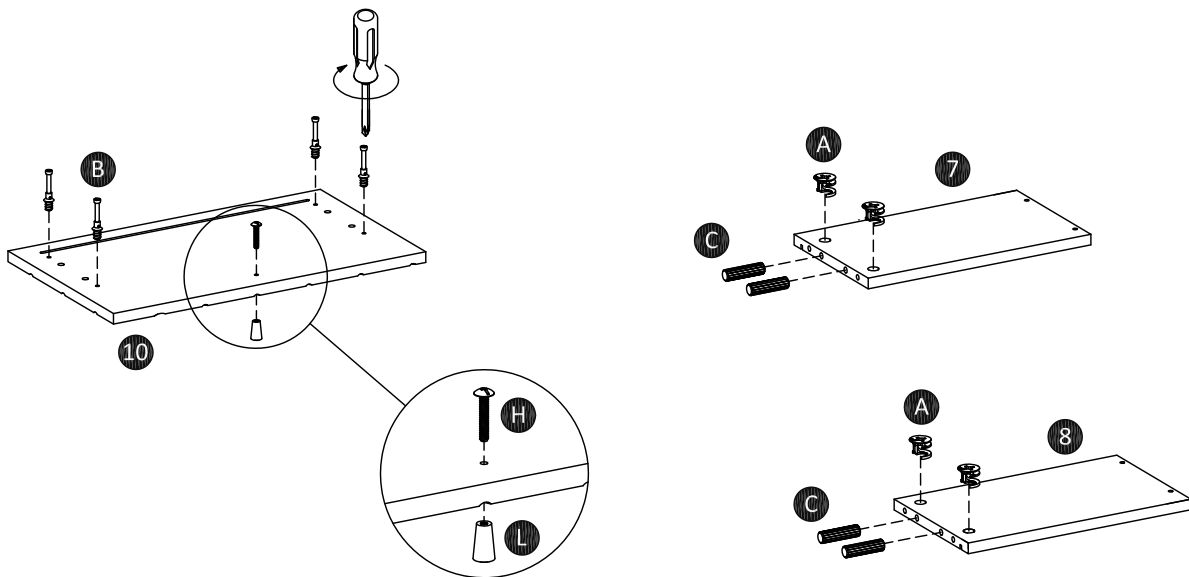
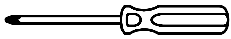


Attach backply stopper (K) to backboard (5) using screw (E).  
Paste cable clamp (N) on the backboard (5) as shown.

## Step 8

Parts, fittings and tools

6 7 8 10 A  
B C H L



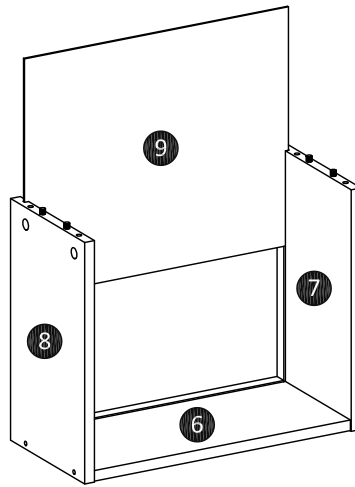
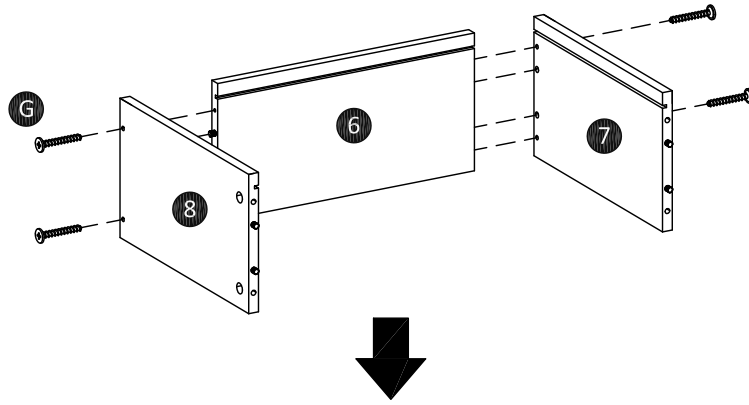
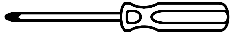
Attach cam-bolt (B) to front drawer (10) using screwdriver and attach handle (L) to front drawer (10) using screw (H) as shown.  
Insert cam-lock (A) into left drawer (7) and right drawer (8).  
Insert plastic dowel (D) into rear drawer (6), left drawer (7) and right drawer (8).

# Product assembly

Amara Side Table - Black Wood  
SLAMASTMEL01

## Step 9

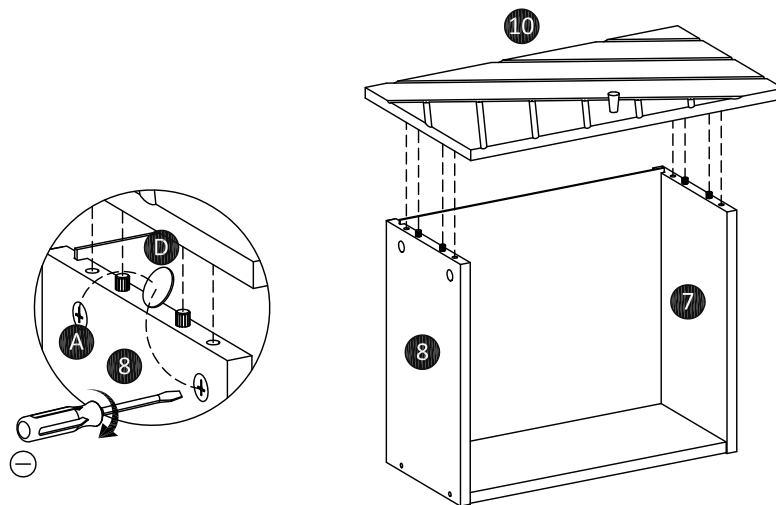
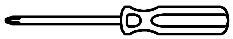
Parts, fittings and tools



Attach left drawer (7) and right drawer (8) to rear drawer (6) using screws (G).  
Insert bottom drawer (9) into assembly drawer as shown.

## Step 10

Parts, fittings and tools



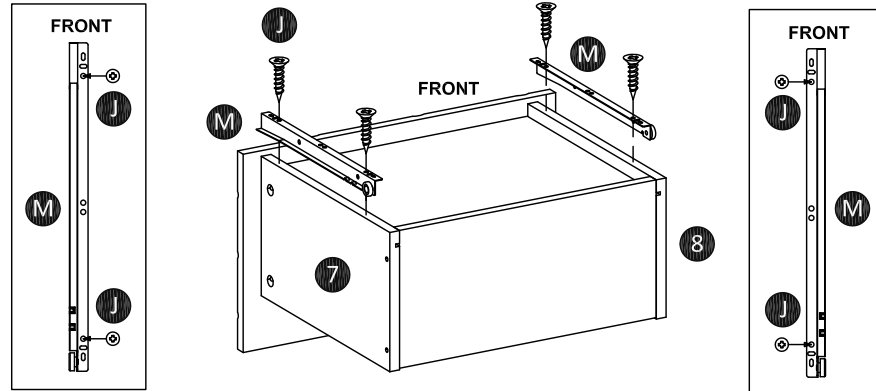
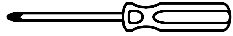
Attach front drawer (10) to assembly drawer as shown.  
Turn the cam-lock (A) clockwise to lock using screwdriver, then paste cam-sticker (D).

# Product assembly

Amara Side Table - Black Wood  
SLAMASTMEL01

## Step 11

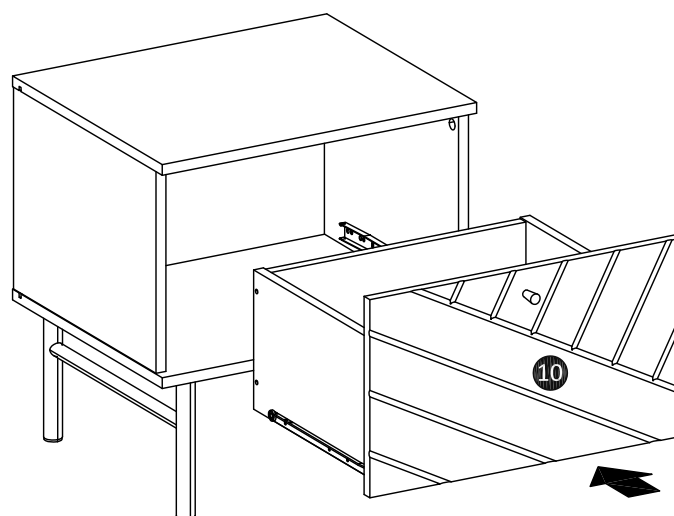
Parts, fittings and tools



Attach drawer rail (M) to left drawer (7) and right drawer (8) using screw (J).

## Step 12

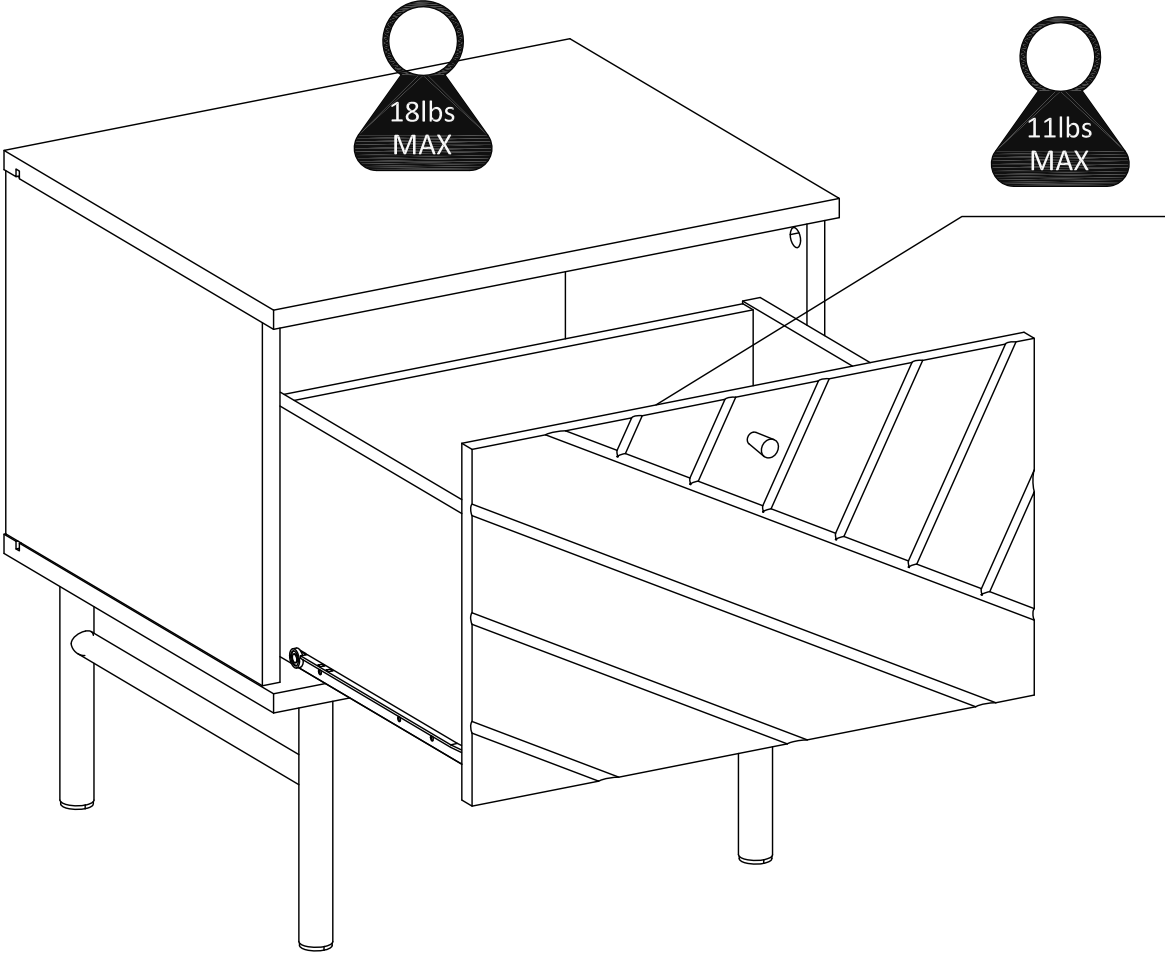
Parts, fittings and tools



Insert assembly drawer into case assembly as shown.

# Product assembly

Amara Side Table - Black Wood  
SLAMASTMEL01



## Care and maintenance

### Wood furniture

Wood displays different grain patterns depending on which way they are cut - for example, the 'medullary ray' which can appear on oak furniture is a mark of good quality timber - these are just characteristics of natural beauty of the wood. Some furniture is also deliberately aged and rustic, wood veneers also allow a distinctive pattern to be created on some surface, such as tabletops and drawer fronts by the way slivers are arranged.

### How to care for your wood furniture

Furniture with a hard lacquer, wax polish or painted surface should be dusted with a dry cloth. Waxed furniture will need to be given a coat of beeswax a couple of times a year to help maintain its lustre.

Spray polishes are best avoided as they contain silicones which may spoil the furniture's surface when building up over time.

Make sure all surfaces are protected from the heat and liquids by mats and coasters. Wipe up spills immediately and ensure that a mat or pad is placed under paper if you are writing.

Our furniture will endure most temperatures in the home, but it is best to avoid placing furniture next to heat sources such as radiators or fires. Be particularly careful with solid wood as the lack of humidity caused by home heating can cause damage such as warping.

### Caution

This wood has a painted surface that can scratch. Please avoid contact with hard, sharp objects. Avoid placing plant pots or vases without waterproof mats to prolong the life of the product.

**Please do not sit or lean on this product.**

**Maximum Load Capacity:** 18 lbs for the top surface, 11 lbs for drawer.

Retain these instructions for furniture reference.

**Your feedback is very important to us and we would love to hear your comments on your new furniture. Please visit our website to leave a review. Thank you.**