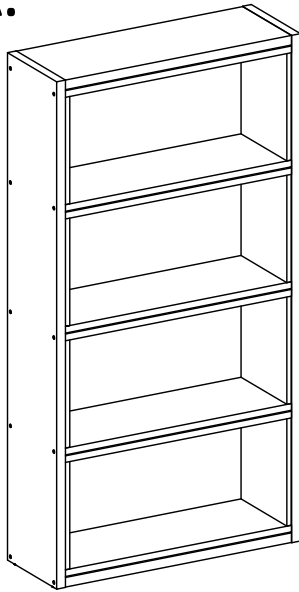


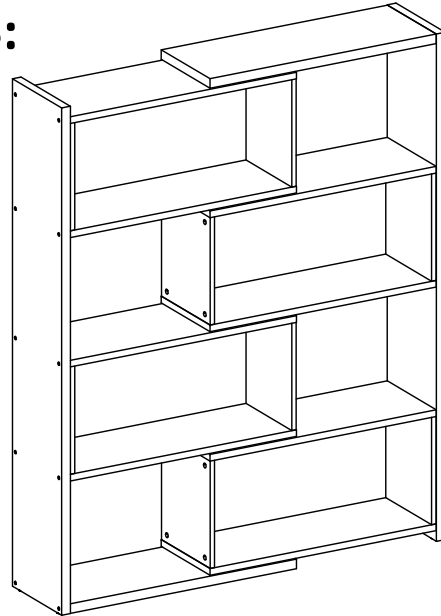
**Studio  
London.**

**Ivy Bookcase - Oak Effect**  
Stock number: SLIVYTBMEL01

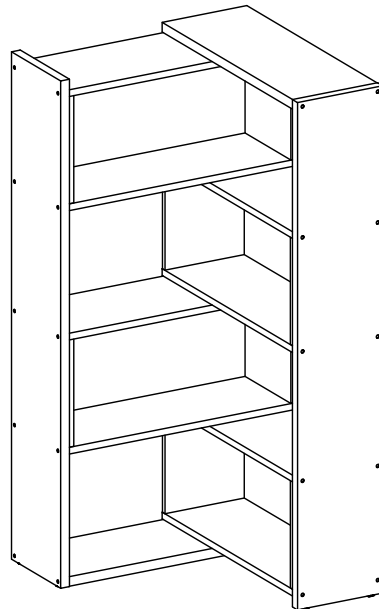
**A:**



**B:**



**C:**



**A: 32.7"W x 11.4"D x 63"H**

**B: 51.4"W x 11.4"D x 63"H**

**C: 32.7"W x 31.5"D x 63"H**

Congratulations on your purchase from Studio London!

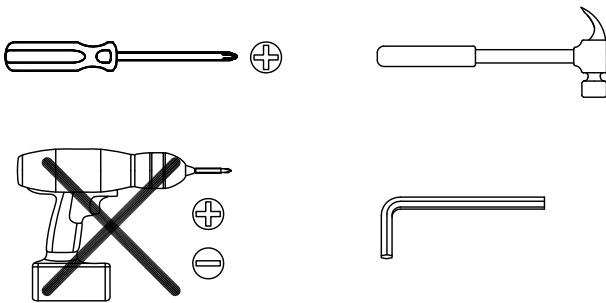
In buying one of our quality products, you now own an item we sincerely hope you will love for years to come, without it coating the earth.

Responsibility is one of our core brand values. For every item sold, a tree is planted. Additionally, we invest in carbon reducing schemes, ensure all our materials are sustainable and responsibly sourced, and audit our suppliers to ensure they are safe, supportive and ethically sound.

We hope you love your item. We would love to hear any feedback or comment.

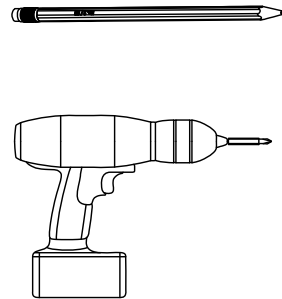
Visit us at [www.studiolondon.net](http://www.studiolondon.net) to comment or to find out more, and please follow us on instagram at [studio\\_london\\_design](https://www.instagram.com/studio_london_design).

### Tools required



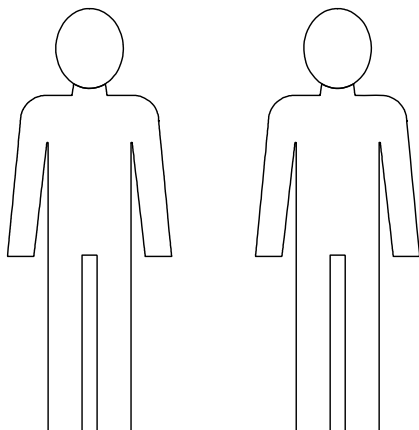
Don't use an electric screwdriver to assemble the cabinet panels.

### Wall attachment



**Time to assemble**  
60 mins

**People to assemble**



## Important safety information

### Warnings

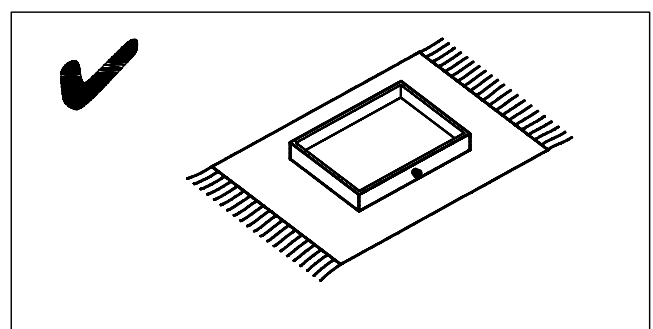
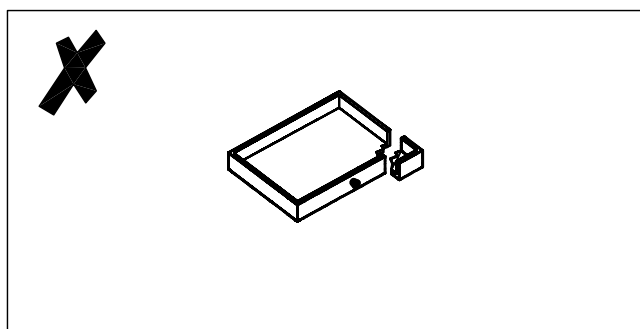
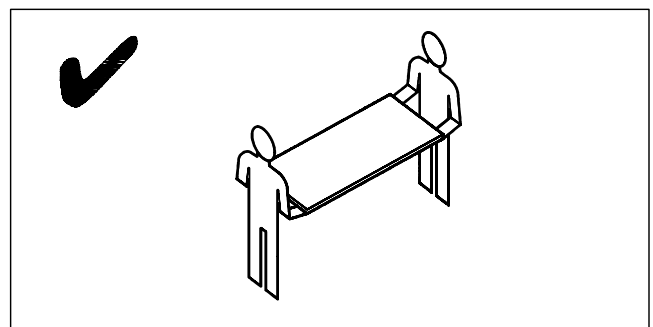
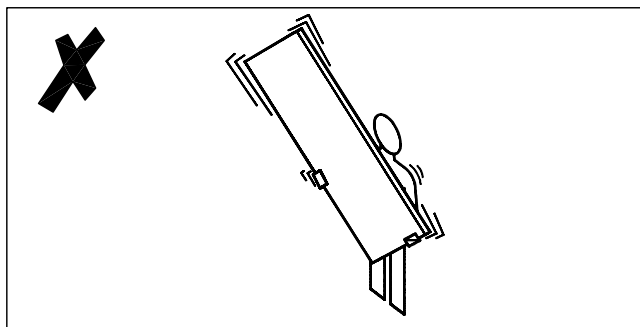
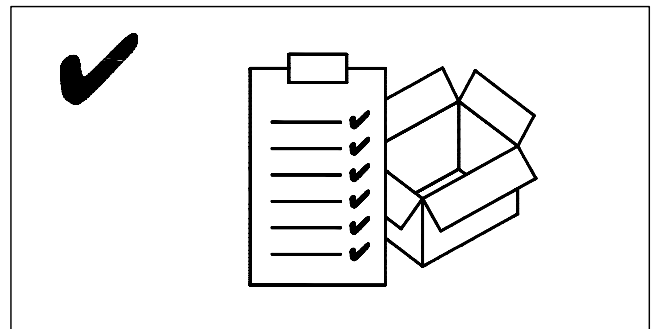
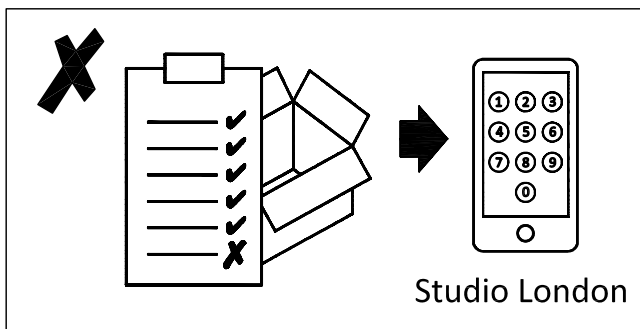
- ⚠ **This product is not suitable for bedrooms.**
- ⚠ The product should only be used on firm, level ground.
- ⚠ Keep small parts out of reach of children.
- ⚠ Ensure the product is fully assembled as illustrated before use.

### Do's

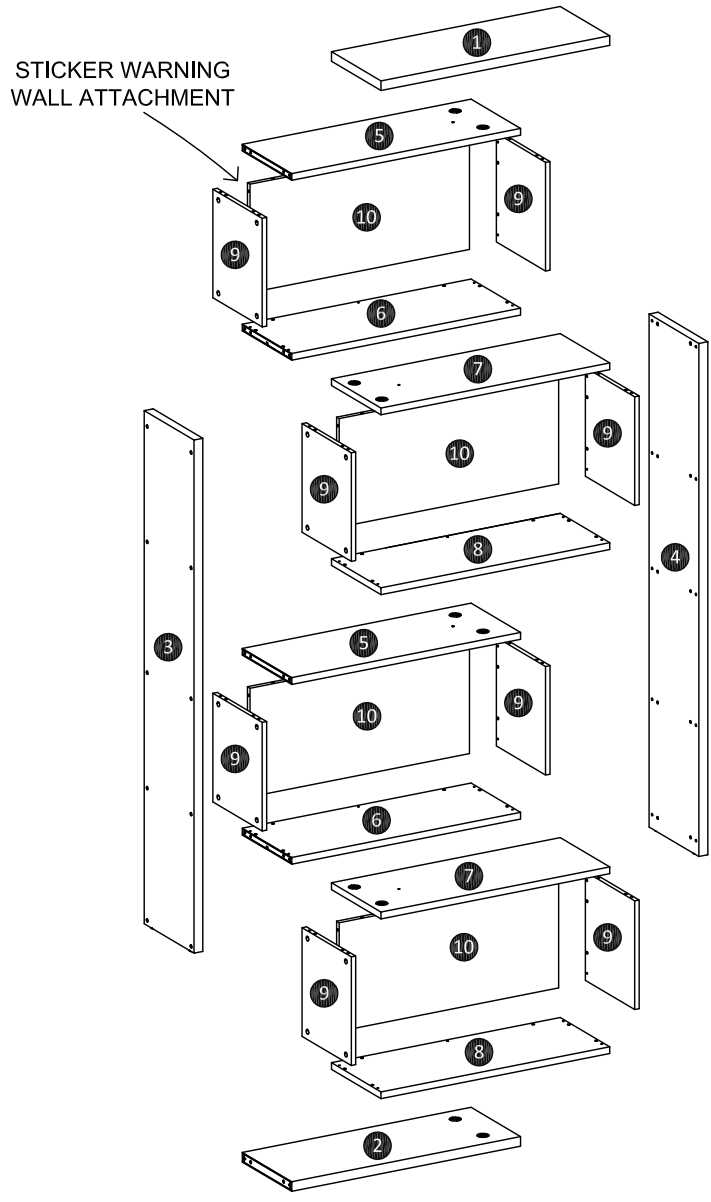
- ✓ Check the pack and make sure you have all the parts listed.
- ✓ Check all screws or bolts are tightened and inspect regularly.
- ✓ Make sure the legs remain in contact with the ground all time.

### Don't

- ✗ Do not over tighten screws or bolts.
- ✗ Do not stand on the product.
- ✗ Do not use power tools to construct as overtightening and panel failure may occur.

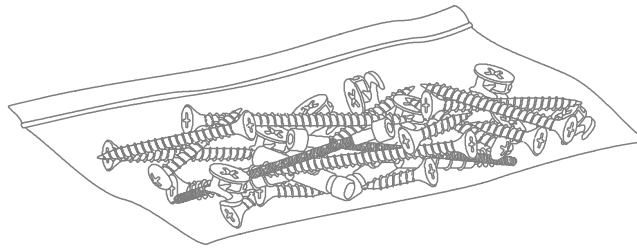


# Your Bookcase

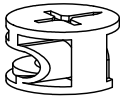
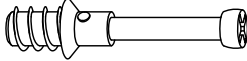
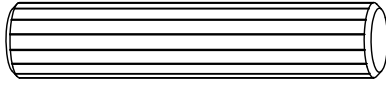
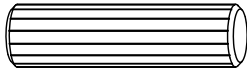
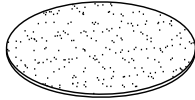
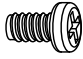
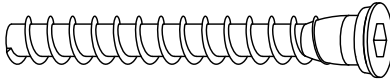
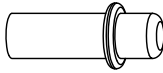


Ref	Description	Dimensions	Qty
①	Main top panel	30.3" x 11.3" x 1.2"	1
②	Main Bottom panel	30.3" x 11.3" x 1.2"	1
③	Large Left Panel	62.6" x 11.4" x 1.2"	1
④	Large Right Panel	62.6" x 11.4" x 1.2"	1
⑤	Upper top panel	30.3" x 11.3" x 0.8"	2
⑥	Upper bottom panel	30.3" x 11.3" x 0.8"	2
⑦	Lower top panel	30.3" x 11.3" x 0.8"	2
⑧	Lower bottom panel	30.3" x 11.3" x 0.8"	2
⑨	Small side panel	13.2" x 11.3" x 0.6"	8
⑩	Rear panel	29.1" x 13.2" x 0.6"	4

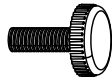

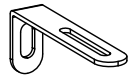
# Fixtures and fittings



## Fixtures and fittings Supplied (true to size)

Ref	Description	Dimensions	Qty	mm 10 20 30 40 50 60 70 80 90
A	Cam-fix	Dia.15mm	56	
B	Cam-bolt	M7.5 x 32mm	56	
C	Wooden dowel	M10 x 50mm	4	
D	Plastic dowel	M8 x 32mm	80	
E	Cam-Sticker	Dia.25mm	76	
F	screw	M6 x 10mm	2	
G	Screw	M6.3 x 50mm	20	
H	Pin	M6.5 x 21mm	3	

## Fixtures and fittings Supplied (not to scale)

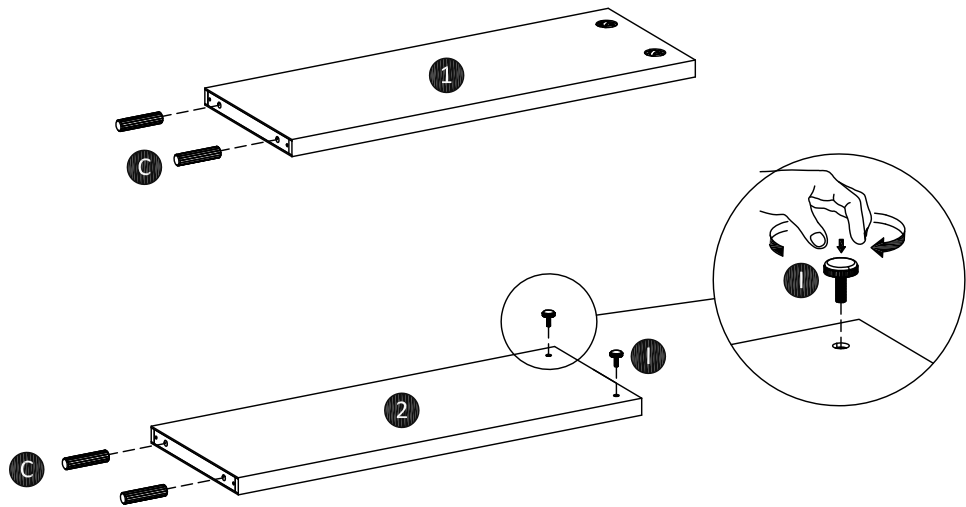
Ref	Description	Dimensions	Qty	
I	Adjuster	N/A	4	
J	Allen Key	N/A	1	
K	Wall bracket	N/A	2	

# Product assembly

Ivy Bookcase - Oak Effect  
SLIVYTBMEL01

## Step 1

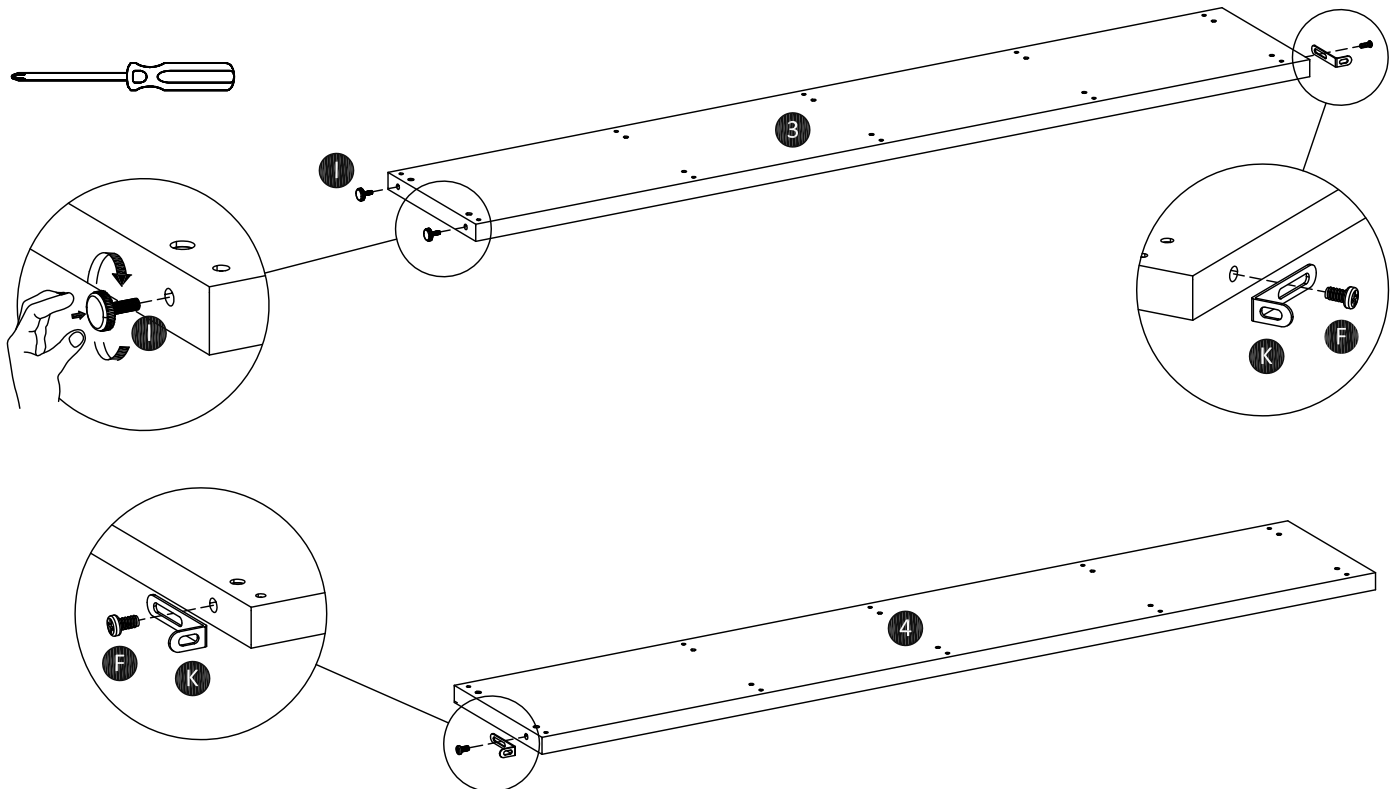
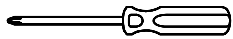
Parts, fittings and tools



Insert wooden dowel (C) into main top panel (1) and main bottom panel (2).  
Install adjuster (I) on the main bottom panel (2).

## Step 2

Parts, fittings and tools



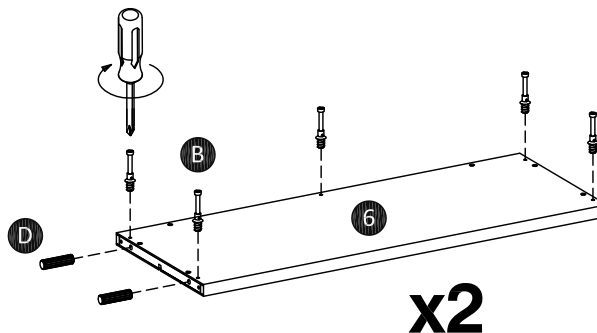
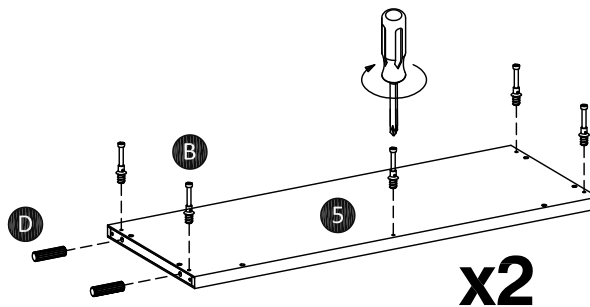
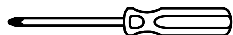
Install adjuster (I) to large left panel (3).  
Attach wall bracket (K) to large left panel (3) and large right panel (4) using screws (F).

# Product assembly

Ivy Bookcase - Oak Effect  
SLIVYTBMEL01

## Step 3

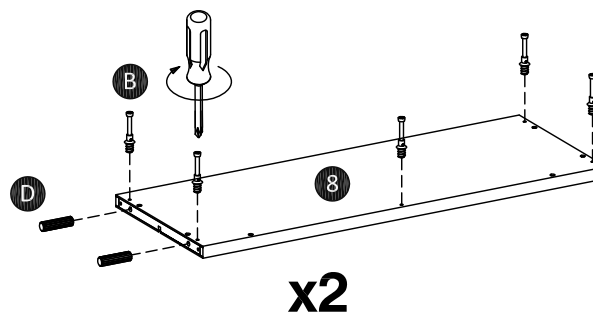
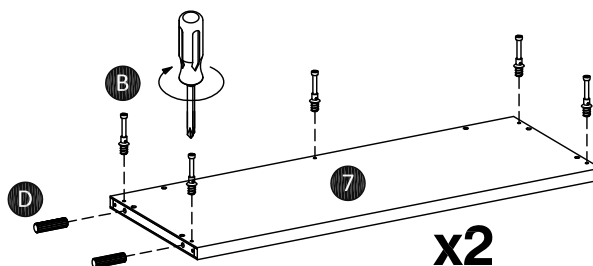
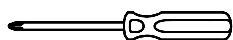
Parts, fittings and tools



Attach cam-bolt (B) to upper top panel (5) and upper bottom panel (6) using screwdriver.  
Insert plastic dowel (D) into upper top panel (5) and upper bottom panel (6).

## Step 4

Parts, fittings and tools



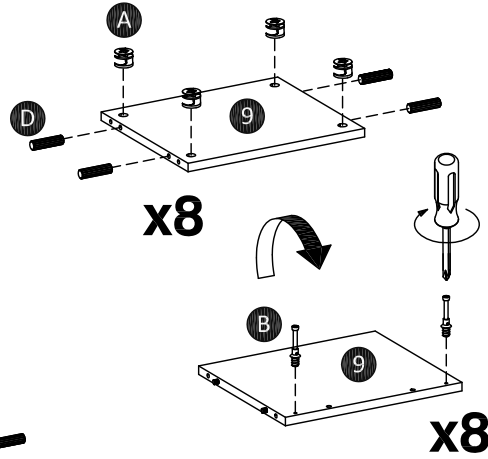
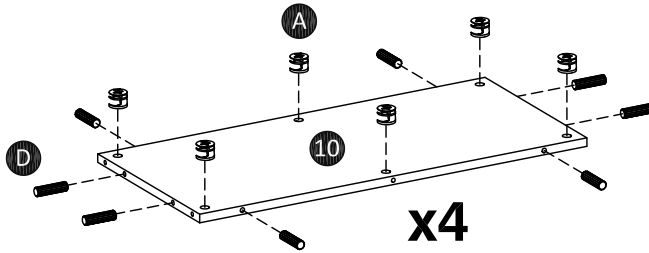
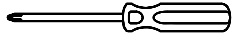
Attach cam-bolt (B) to lower top panel (7) and lower bottom panel (8) using screwdriver.  
Insert plastic dowel (D) into lower top panel (7) and lower bottom panel (8).

# Product assembly

Ivy Bookcase - Oak Effect  
SLIVYTBMEL01

## Step 5

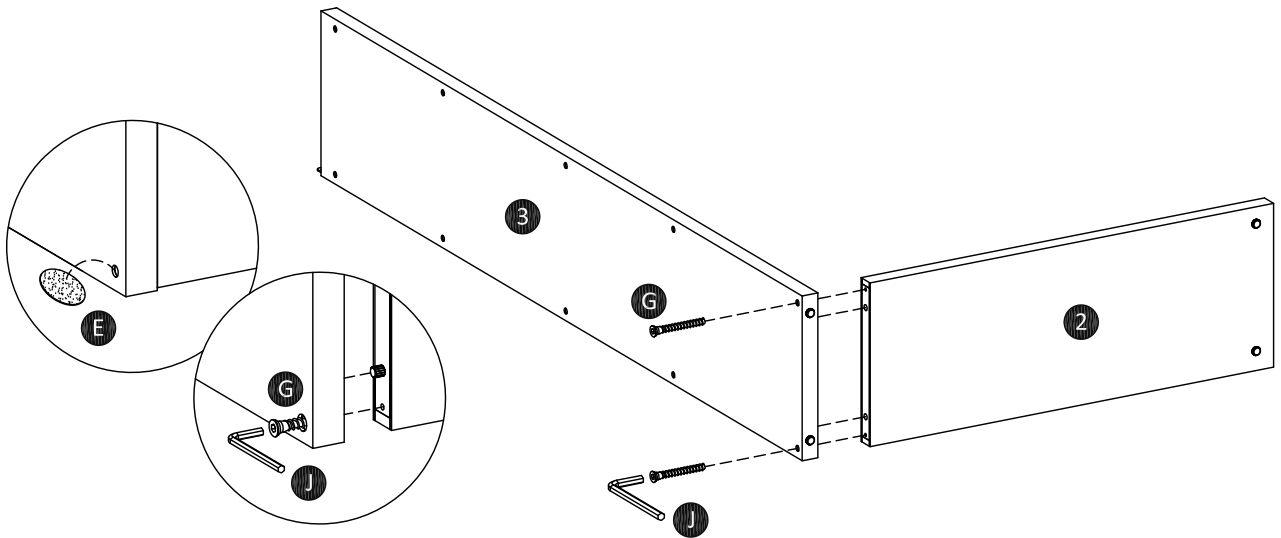
Parts, fittings and tools



Attach cam-bolt (B) to small side panel (9) using screwdriver.  
Insert cam-fix (A) and plastic dowel (D) into small side panel (9) and rear panel (10).

## Step 6

Parts, fittings and tools



Attach main bottom panel (2) to large left panel (3) using screws (G).  
Tighten screws (G) using allen key (J), then paste cam-sticker (E).



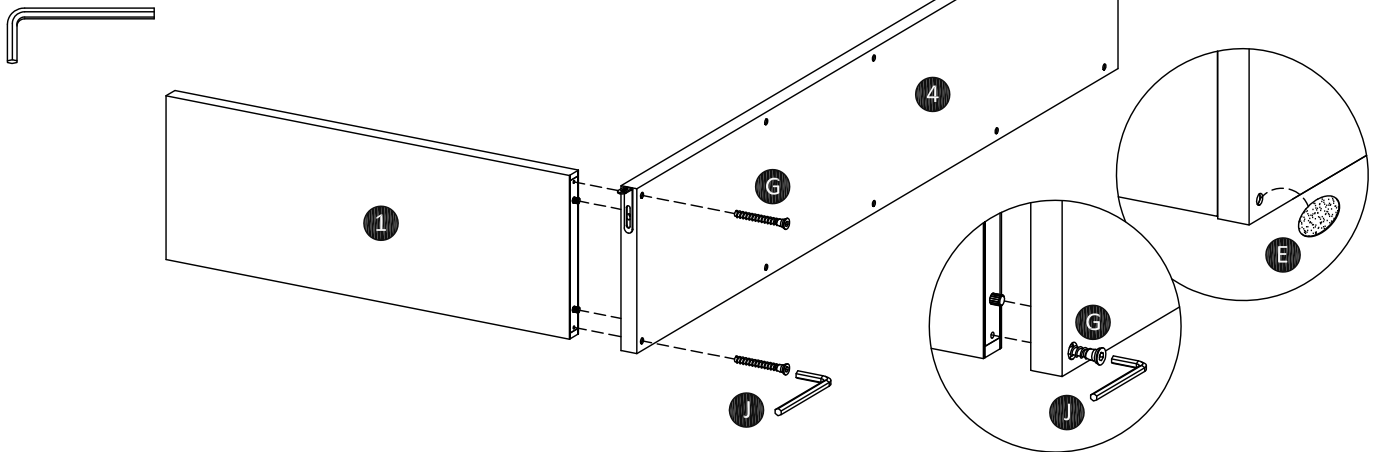
# Product assembly

Ivy Bookcase - Oak Effect  
SLIVYTBMEL01

## Step 7

Parts, fittings and tools

1 4 E G J

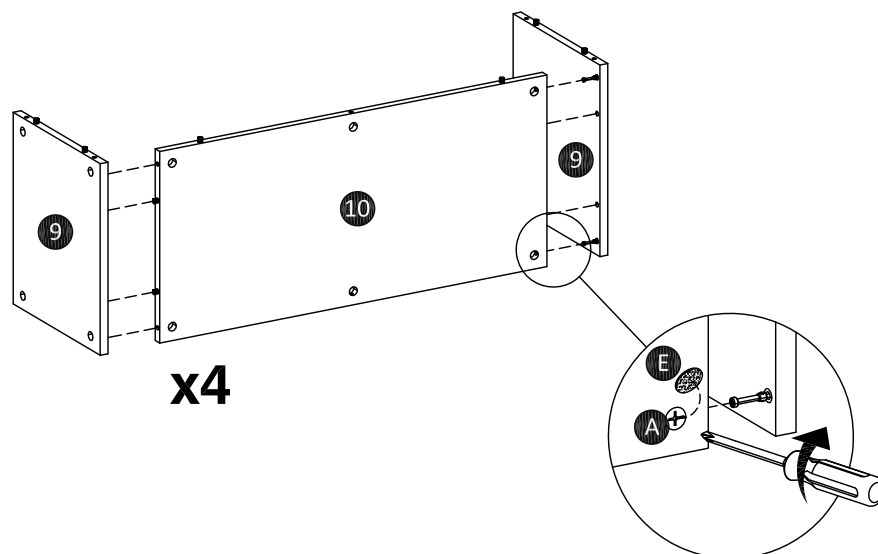
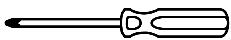


Attach main top panel (1) to large right panel (4) using screws (G).  
Tighten screws (G) using allen key (J), then paste cam-sticker (E).

## Step 8

Parts, fittings and tools

9 10 A E



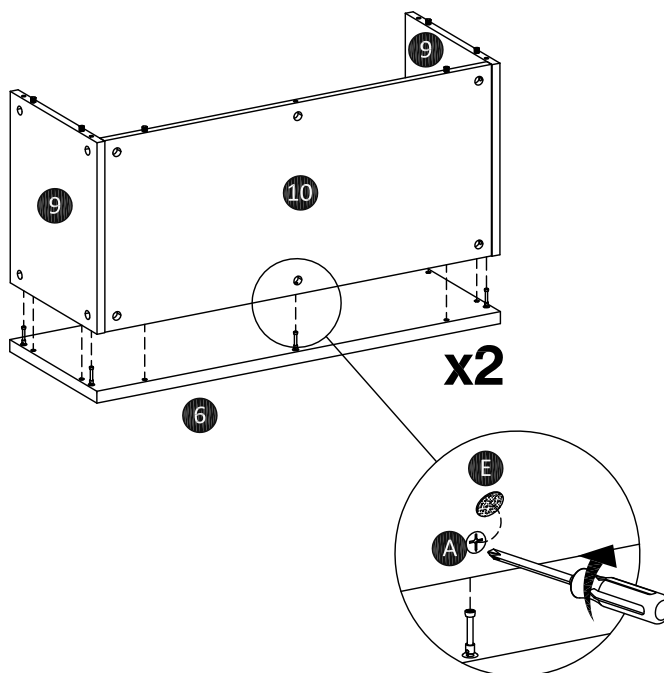
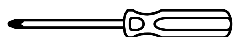
Attach small side panel (9) to rear panel (10) as shown.  
Turn the cam-lock (A) clockwise to lock using screwdriver, then paste cam-sticker (E).

# Product assembly

Ivy Bookcase - Oak Effect  
SLIVYTBMEL01

## Step 9

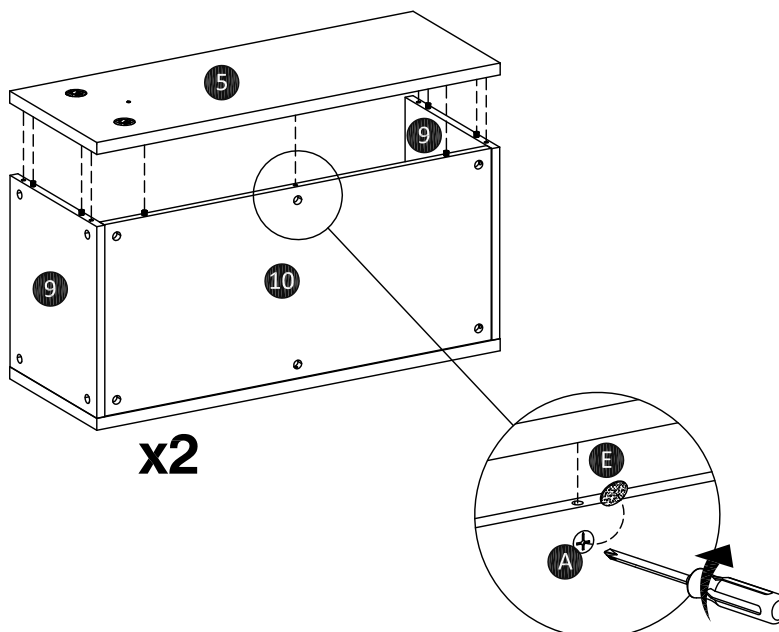
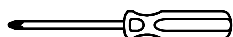
Parts, fittings and tools



Attach the case assembly to upper bottom panel (6) as shown.  
Turn the cam-lock (A) clockwise to lock using screwdriver, then paste cam-sticker (E).

## Step 10

Parts, fittings and tools



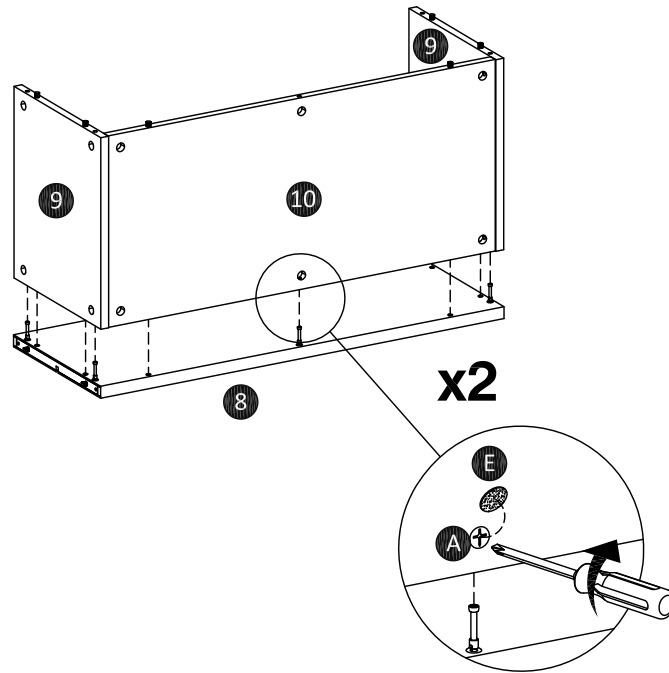
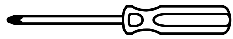
Attach upper top panel (5) to the case assembly as shown.  
Turn the cam-lock (A) clockwise to lock using screwdriver, then paste cam-sticker (E).

# Product assembly

Ivy Bookcase - Oak Effect  
SLIVYTBMEL01

## Step 11

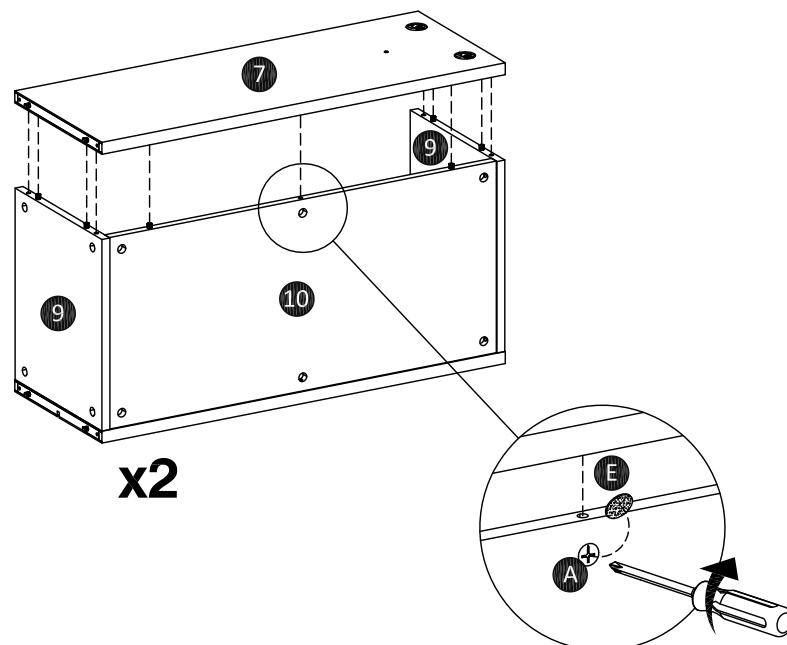
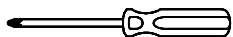
Parts, fittings and tools



Attach the case assembly to lower bottom panel (8) as shown.  
Turn the cam-lock (A) clockwise to lock using screwdriver, then paste cam-sticker (E).

## Step 12

Parts, fittings and tools



Attach lower top panel (7) to the case assembly as shown.  
Turn the cam-lock (A) clockwise to lock using screwdriver, then paste cam-sticker (E).

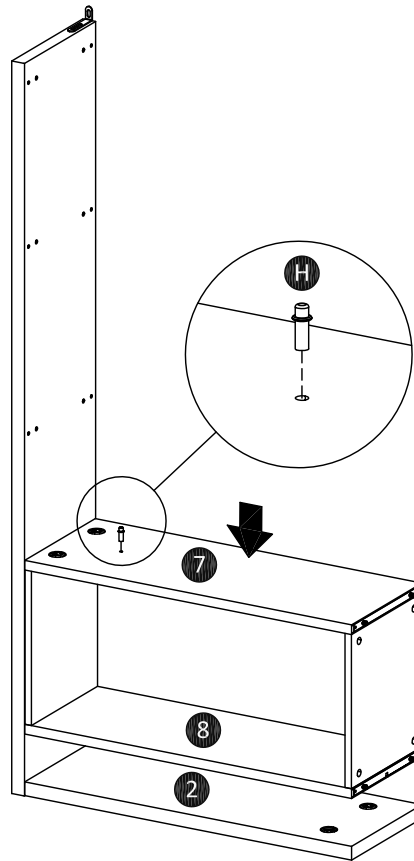
# Product assembly

Ivy Bookcase - Oak Effect  
SLIVYTBMEL01

## Step 13

Parts, fittings and tools

2 7 8 H



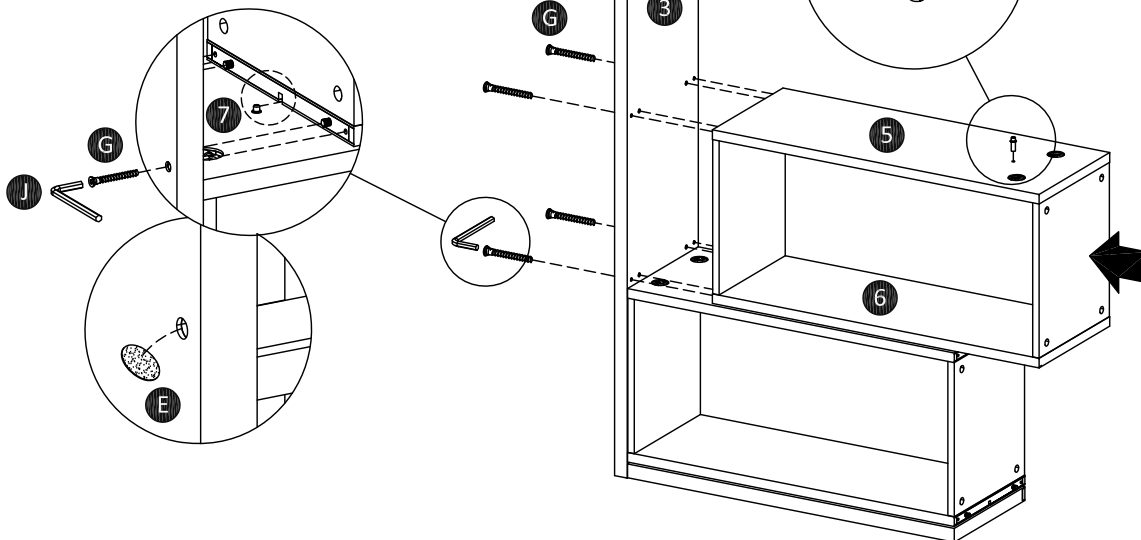
Attach the lower assembly to main bottom panel (2) as shown, then Install pin (H) on the lower top panel (7).

## Step 14

Parts, fittings and tools

3 5 6 7 E G

H J



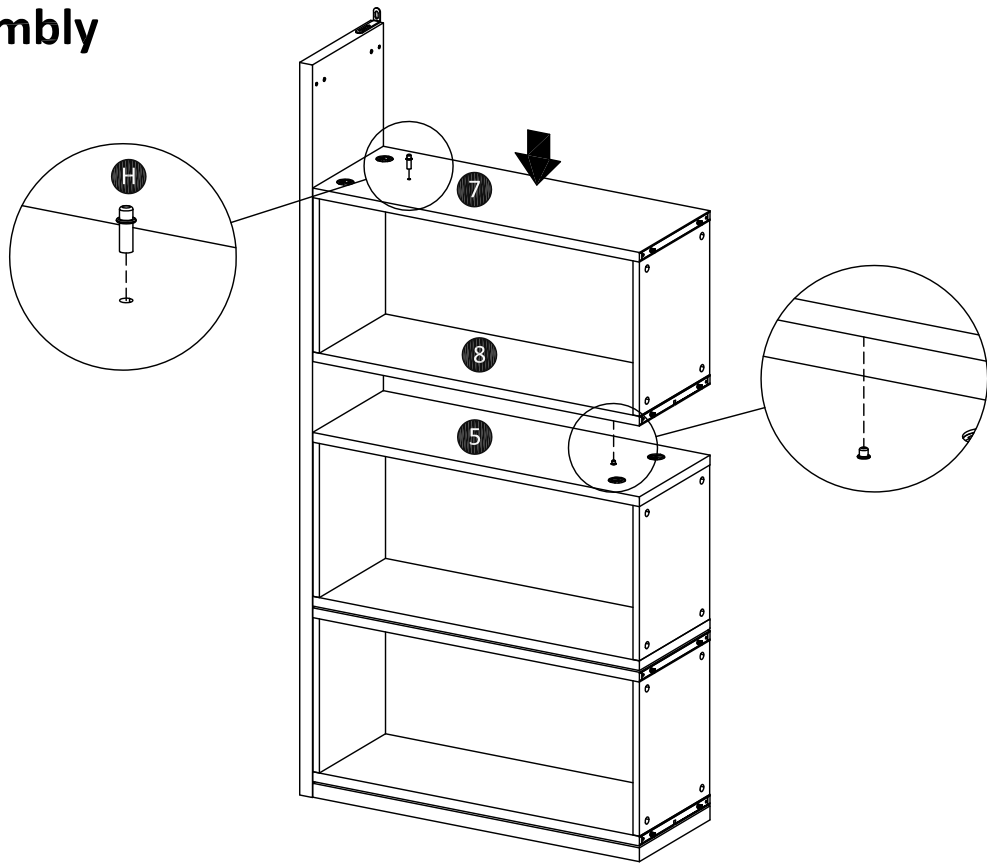
Attach upper assembly to large left panel (3) using screws (G). Ensure the Pin (H) installed in the lower top panel (7) is aligned with the groove on the bottom panel (6). Tighten (G) using allen key (J), Then paste cam-sticker (E). Install pin (H) to upper top panel (5) as shown.

# Product assembly

Ivy Bookcase - Oak Effect  
SLIVYTBMEL01

## Step 15

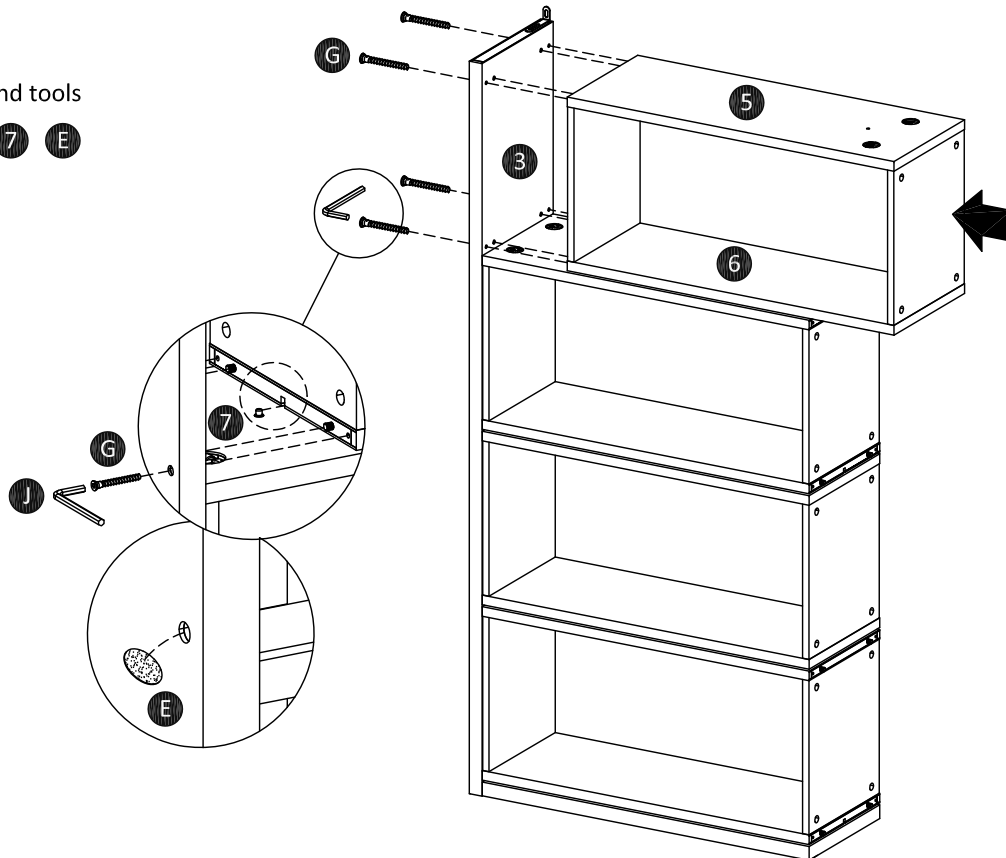
Parts, fittings and tools



Attach again another lower assembly above the upper assembly as shown. Pin (H) who was install on the upper top panel (5) must be appropriate with the groove which is under the lower bottom panel (8). Install pin (H) on the lower top panel (7).

## Step 16

Parts, fittings and tools



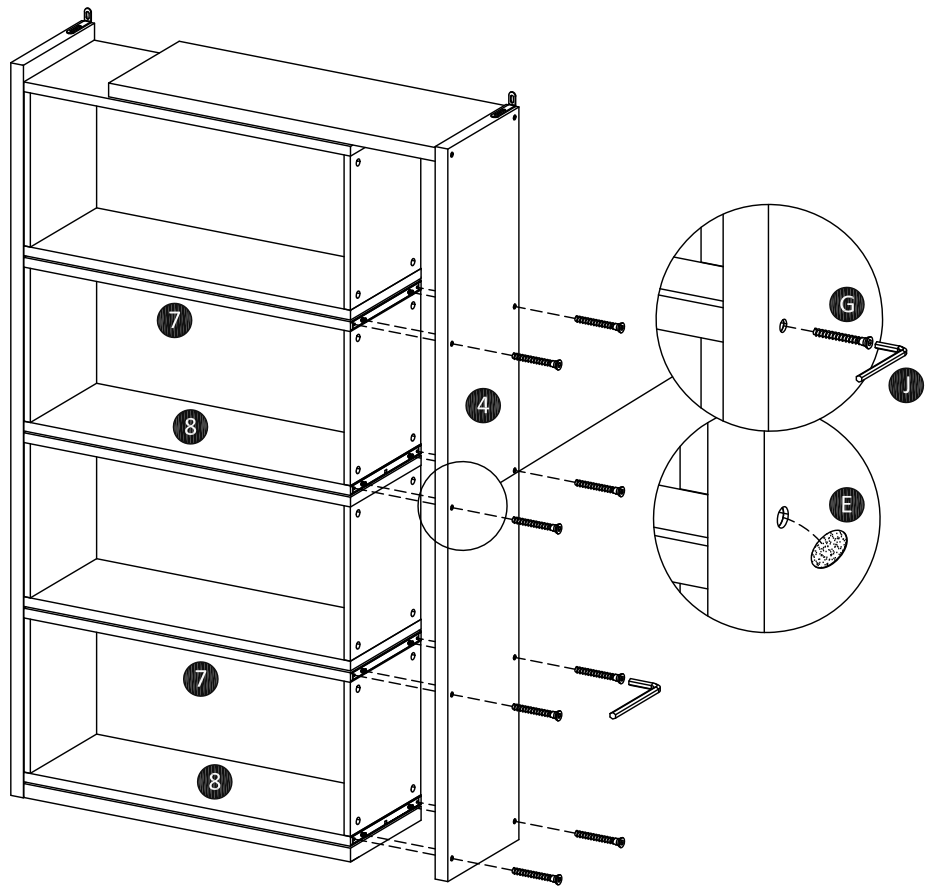
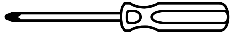
Attach again another upper assembly to large left panel (3) using screws (G). Pin (H) who was install on the lower top panel (7) must be appropriate with the groove which is under the upper bottom panel (6). Tighten screws (G) using allen key (J), then paste cam-sticker (E).

# Product assembly

Ivy Bookcase - Oak Effect  
SLIVYTBMEL01

## Step 17

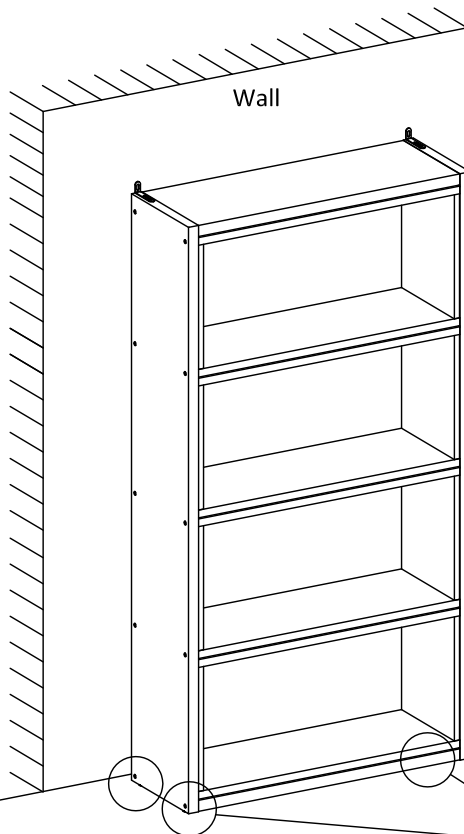
Parts, fittings and tools



Attach large right panel (4) to case assembly using screws (G). Tighten screws (G) using allen key (J), then paste cam-sticker (E).

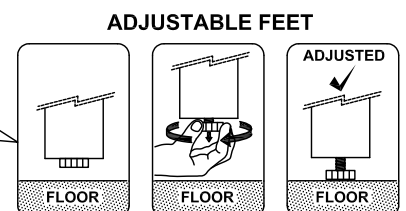
## Step 18

Parts, fittings and tools



## Option 1

Locate the bookcase to the wall as shown.  
Adjust the adjustable feet (I) to level the bookcase.

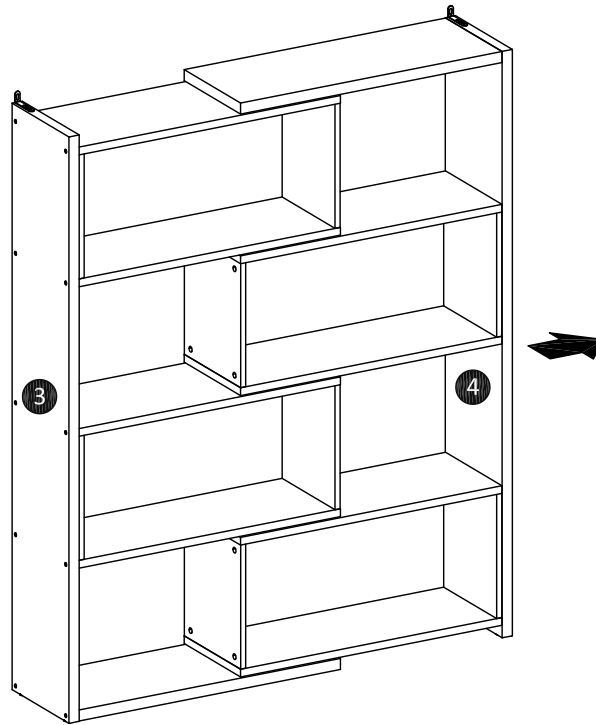


# Product assembly

Ivy Bookcase - Oak Effect  
SLIVYTBMEL01

## Step 19

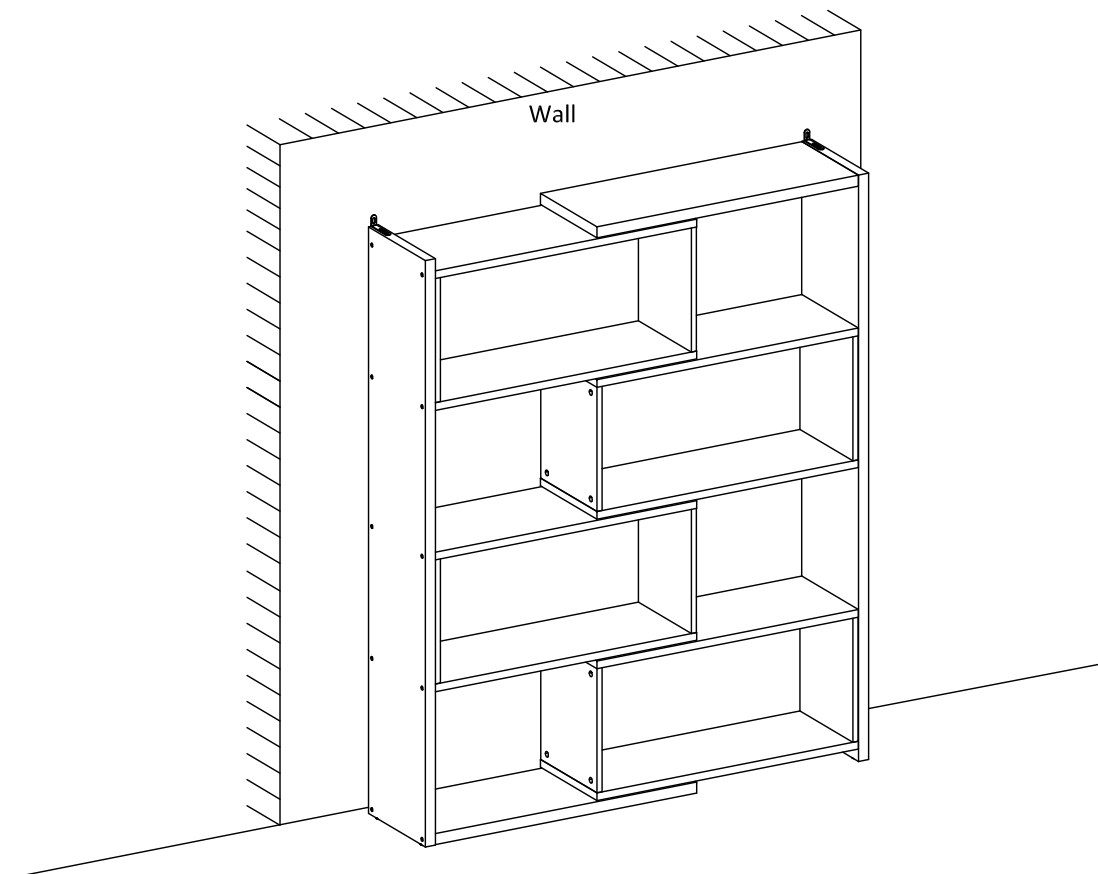
Parts, fittings and tools



## Option 2

Pull out large right panel (4) while holding large left panel (3) to extend the bookcase.

## Step 20



Locate the bookcase to the wall as shown.

# Product assembly

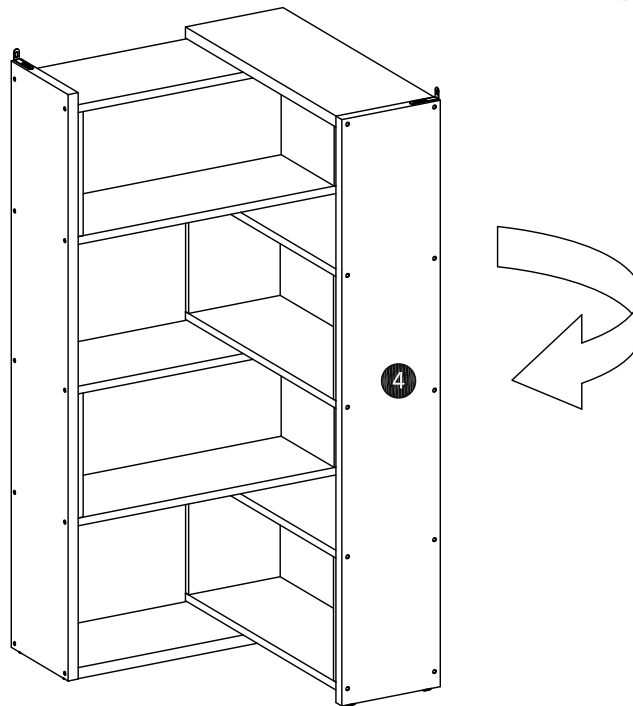
Ivy Bookcase - Oak Effect  
SLIVYTBMEL01

## Option 3

### Step 21

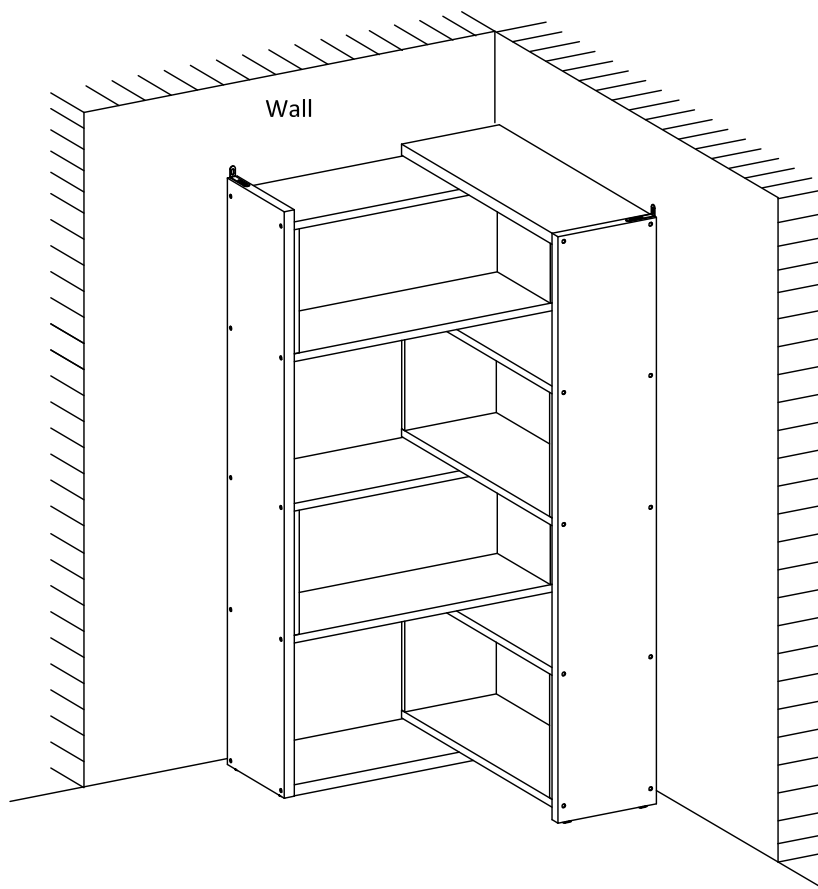
Parts, fittings and tools

4



Turn forward 90° the large right panel (4) to form a right-angle as shown.

### Step 22



Locate the bookcase on the wall in right-angle shape as shown.

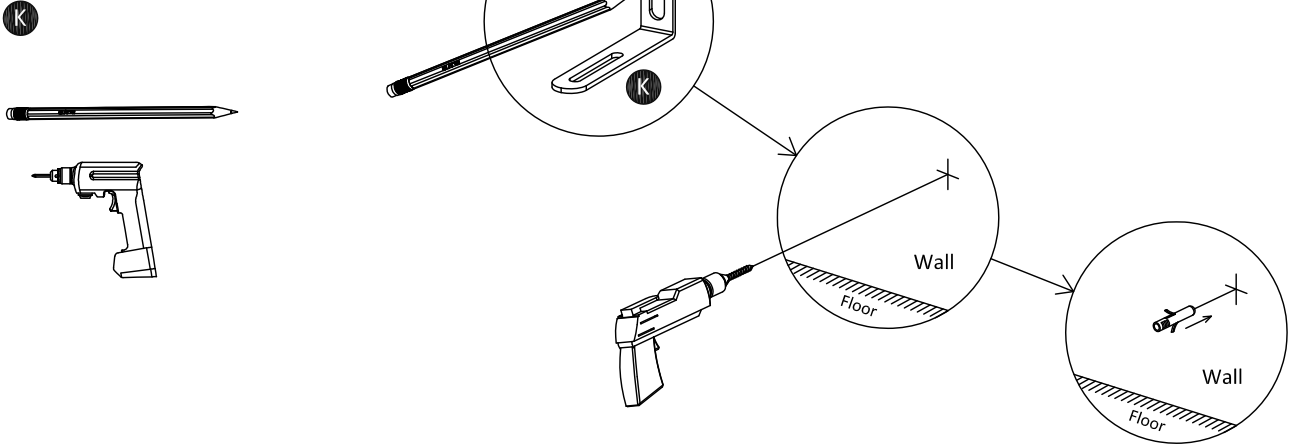


# Product assembly

Ivy Bookcase - Oak Effect  
SLIVYTBMEL01

## Step 23

Parts, fittings and tools



Reposition the wall bracket with a pencil where the screw holes are going to be located. Before drilling, ensure the size of holes will be correct to fit the rawl plugs (not included).

Warning: Ensure the area to be drilled is free from hidden electrical wires, water and gas pipes.

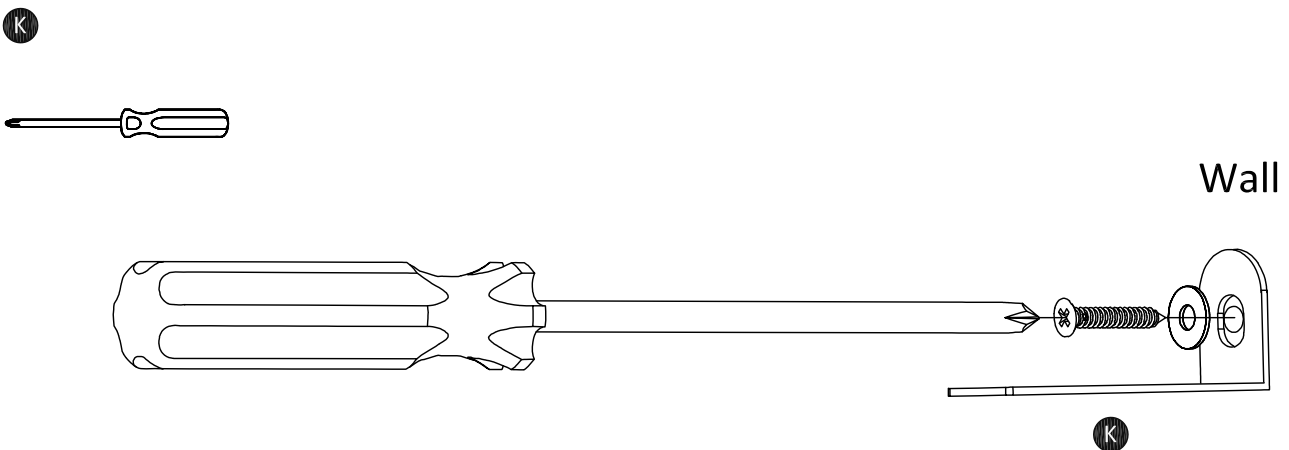
Caution: The wall fixings supplied are for solid brick walls only.

Drill the holes according to the marked position. Push the rawl plugs (not included) into position as shown above.

---

## Step 24

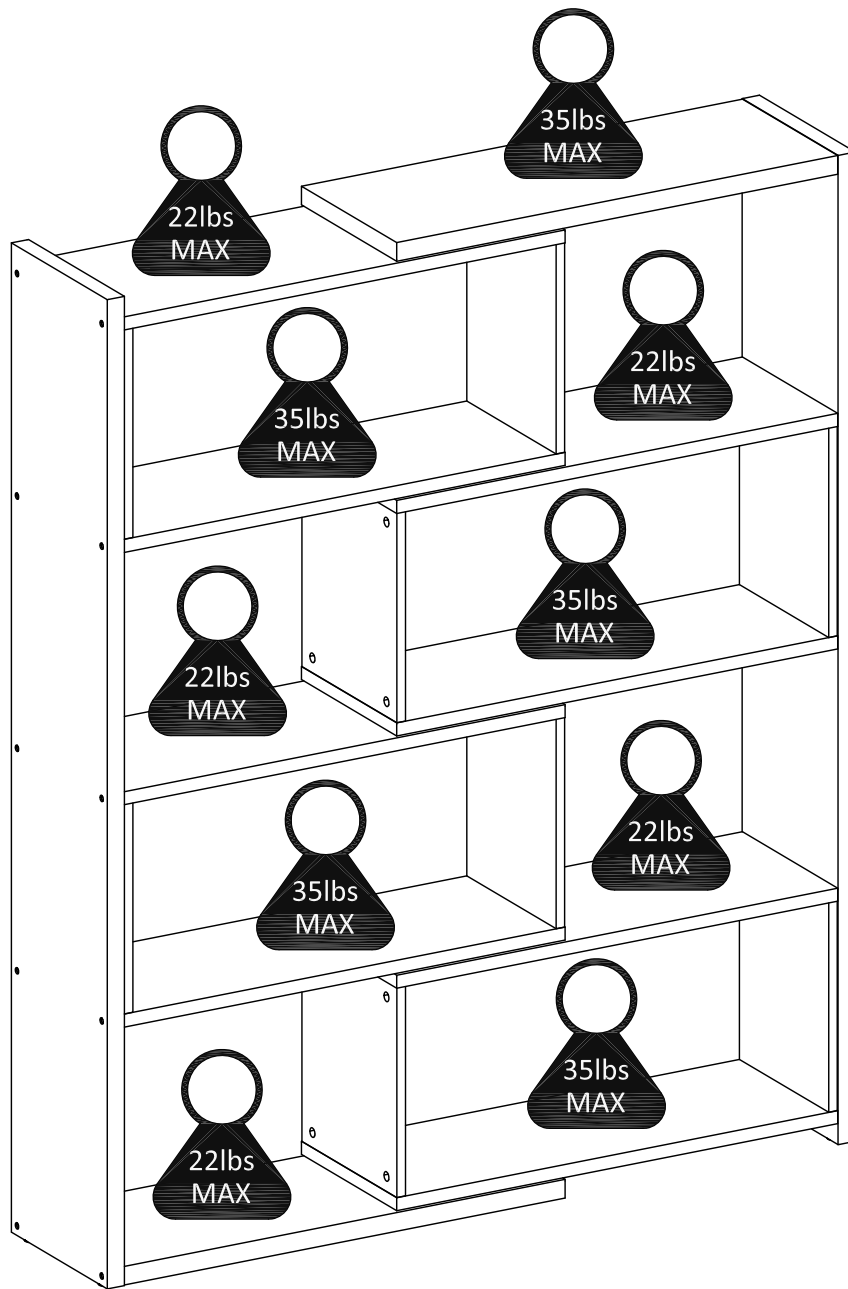
Parts, fittings and tools



Secure the wall brackets (K) to the wall using the washers and screws (not included). Tighten with the screwdriver.

# Product assembly

Ivy Bookcase - Oak Effect  
SLIVYTBMEL01



## Care and maintenance

### Wood furniture

Wood displays different grain patterns depending on which way they are cut - for example, the 'medullary ray' which can appear on oak furniture is a mark of good quality timber - these are just characteristics of natural beauty of the wood. Some furniture is also deliberately aged and rustic, wood veneers also allow a distinctive pattern to be created on some surface, such as tabletops and drawer fronts by the way slivers are arranged.

### How to care for your wood furniture

Furniture with a hard lacquer, wax polish or painted surface should be dusted with a dry cloth. Waxed furniture will need to be given a coat of beeswax a couple of times a year to help maintain its lustre.

Spray polishes are best avoided as they contain silicones which may spoil the furniture's surface when building up over time.

Make sure all surfaces are protected from the heat and liquids by mats and coasters. Wipe up spills immediately and ensure that a mat or pad is placed under paper if you are writing.

Our furniture will endure most temperatures in the home, but it is best to avoid placing furniture next to heat sources such as radiators or fires. Be particularly careful with solid wood as the lack of humidity caused by home heating can cause damage such as warping.

### Caution

This wood has a painted surface that can scratch. Please avoid contact with hard, sharp objects. Avoid placing plant pots or vases without waterproof mats to prolong the life of the product.

**Please do not sit or lean on this product.**

**Maximum Load Capacity:** 22 lbs for small shelves and 35 lbs for large shelves.

Retain these instructions for furniture reference.

**Your feedback is very important to us and we would love to hear your comments on your new furniture. Please visit our website to leave a review. Thank you.**

## Safe Home - Furniture

At Studio London we pride ourselves in developing product that is great quality, offering the best possible value for money.

We also care about your safety, engineering product to minimise any potential risk and providing you with information to enable you to make your home safe and prevent accidents from happening.

### Furniture stability

Furniture stability and 'tipping or overturning' is of particular concern and it's important to consider the environment in which your furniture is being placed and who might come in to contact with it. For example small children may be attracted to toys placed out of reach and may use furniture as a ladder to retrieve them. The elderly may also use furniture to pull themselves up from low seating and even pets climbing on furniture could cause furniture to become unstable.

It's also recommended that heavy item such as TVs are positioned on furniture suitable for the job to prevent any risk of the furniture toppling over.

Other considerations to prevent accidents are how furniture is loaded. Heavier items should be positioned on lower shelves or lower drawers so that the furniture is more stable and less likely to topple.

### Wall fixing or attachment devices

We would strongly recommend that all freestanding furniture 23 5/8 inch in height is attached to the wall for added safety. This is critical where babies and children have access and there is an increased risk of a toppling incident occurring.

Consider the type of wall that your furniture is to be positioned against when making your purchase and make sure that you use the correct wall fixings referring to the 'wall anchoring guide' which you will find in your product instructions.

If in doubt about which wall fixings to use, or if you're concerned about your DIY competency seek expert advice from a qualified tradesperson.

### Warning label

The following label can be found on own brand products and is affixed permanently. This should remain on the product for the duration of its life additionally offering guidance to costumers that purchase the furniture in the second hand market.

