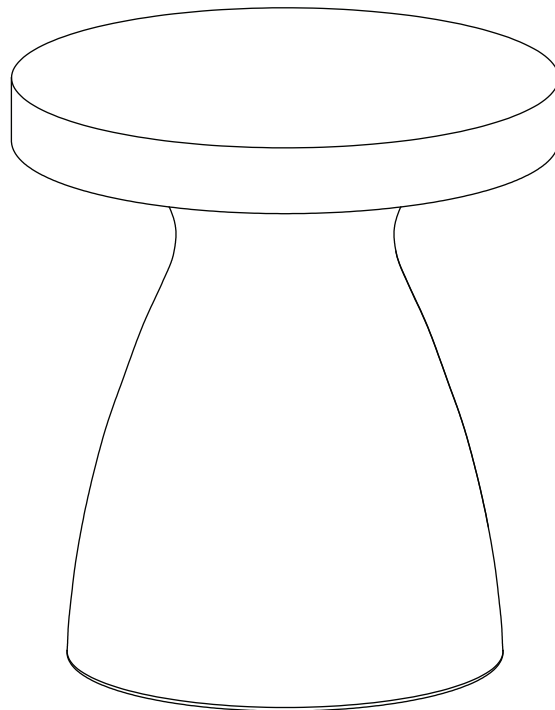


**Studio  
London.**

**Monia Black Marble Effect Stool**

Stock number: SLMONSTDAT02



16" W x 16" D x 17" H

Thank you for purchasing the Monia Marble Stool from Studio London. Please read the instructions and warnings carefully before use, to ensure safe and satisfactory operation of this product.

At Studio London, we are trying to make products you will love for years to come without it costing the earth. From our in-house Design Team, to our Buyers, we work together to bring great design to life at fair prices. Our expert Product Technologists work collaboratively with our buyers and suppliers to ensure the legality, safety, sustainability and quality of the product we sell.

We are all committed to designing and developing products to the highest industry standards and in the most sustainable, responsible manner.

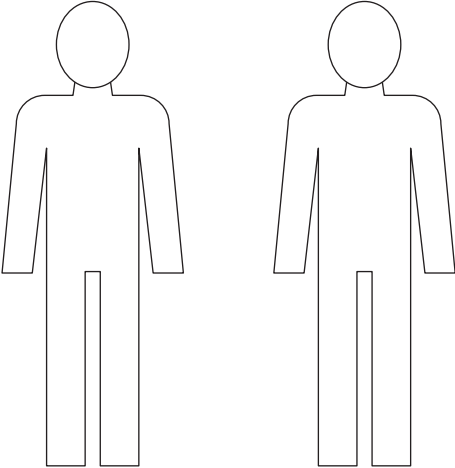
We hope you love your new product as much as we do and welcome any feedback or comments you may have.

The Studio London Team

**Tools required**

**Time to assemble**  
5 mins

**People to assemble**



The image contains two simple line-art icons of human figures, one on the left and one on the right, representing the number of people required for assembly.

# Important safety information

## Warnings

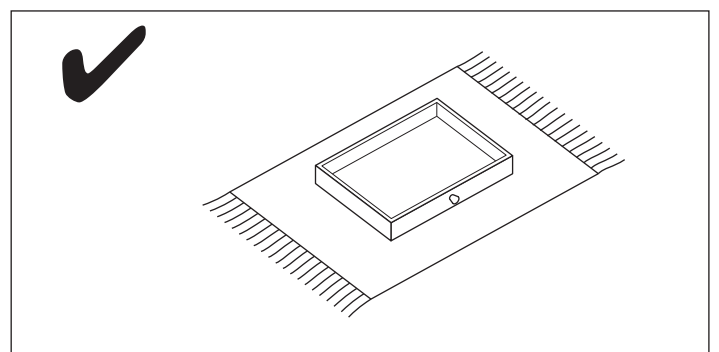
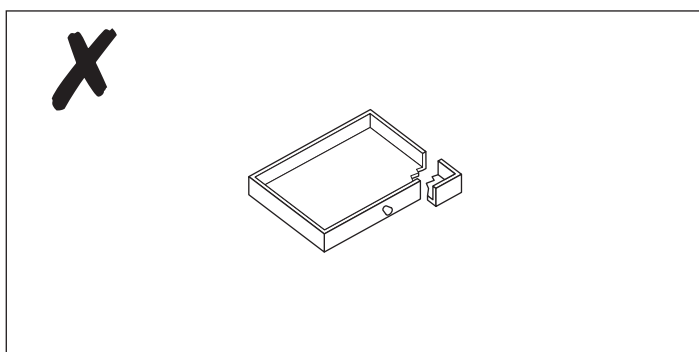
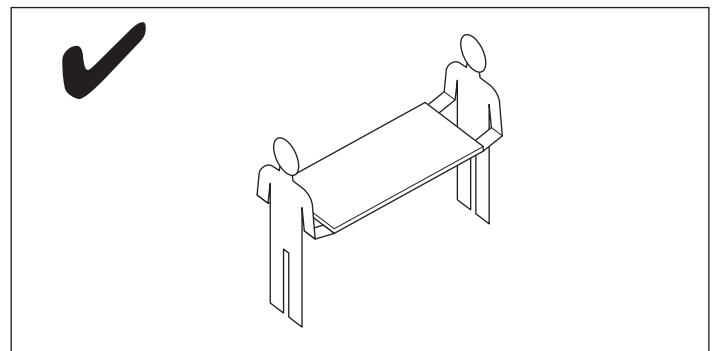
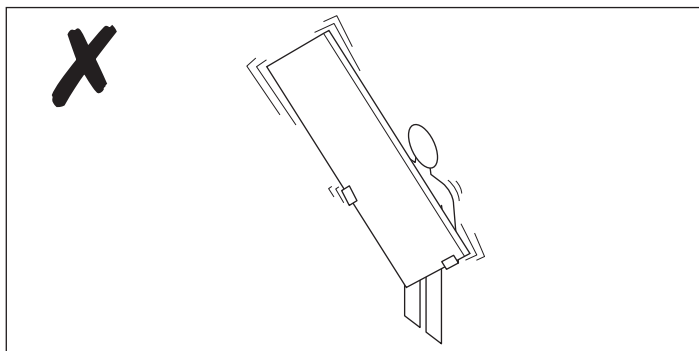
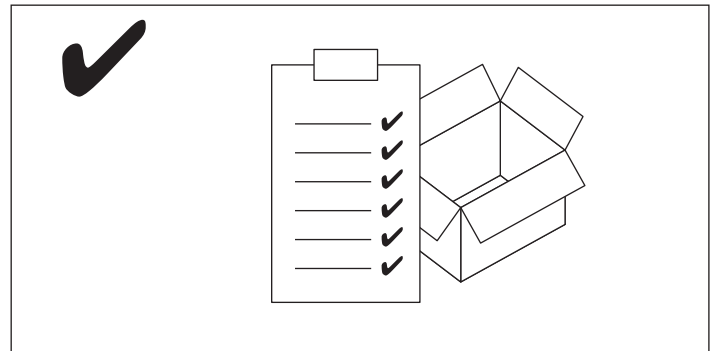
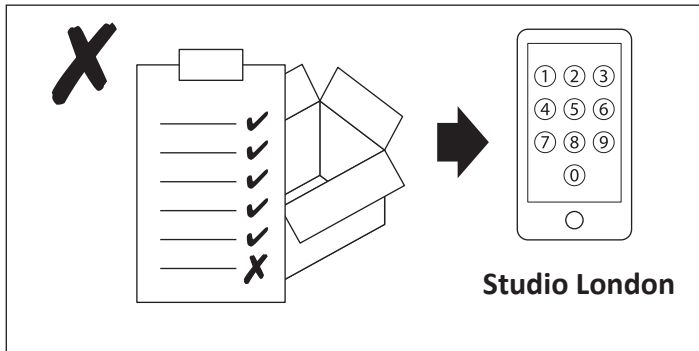
- ⚠ **This product is not suitable for bedrooms.**
- ⚠ The product should only be used on firm, level ground.
- ⚠ Keep small parts out of reach of children.
- ⚠ Ensure the product is fully assembled as illustrated before use.

## Do's

- ✓ Check the pack and make sure you have all the parts listed.
- ✓ Check all screws or bolts are tightened and inspect regularly.
- ✓ Make sure the legs remain in contact with the ground at all times.

## Don't

- ✗ Do not over tighten screws or bolts.
- ✗ Do not stand on the product.
- ✗ Do not use power tools to construct as overtightening and panel failure may occur.



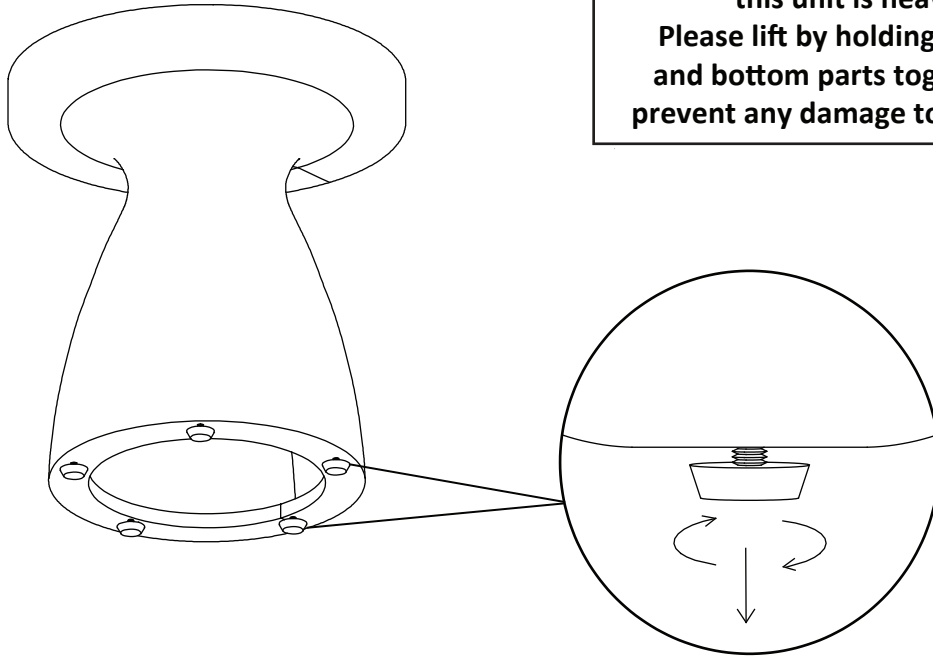
# Product assembly

Monia Black Marble Effect Stool  
SLMONSTDAT02

Lorem ipsum

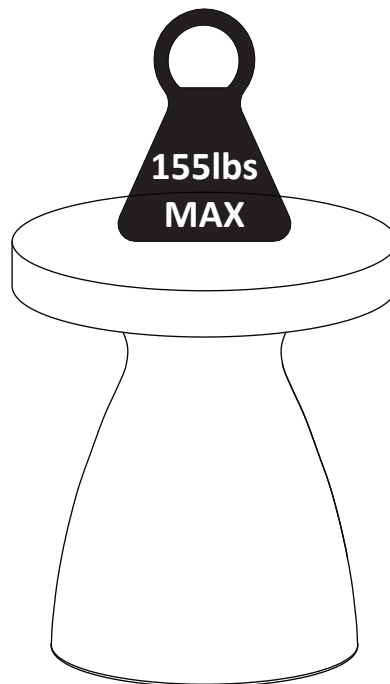
## CAUTION!

Please take care when lifting,  
this unit is heavy!  
Please lift by holding the top  
and bottom parts together to  
prevent any damage to the base!



Carefully lift the table and turn the adjustable feet on the base to level the product.

---



## Care and Maintenance

### Marble effect concrete furniture

- The table will display a different pattern that is part of the nature of the finish of the product.

### How to care for your Marble effect concrete furniture

- Avoid placing hot items directly on the concrete top. Please use mats and coasters. Concrete is heat resistant, but excessive heat can damage or discolor the sealer.
- Any spills should be cleaned up immediately with a dry cloth or tissue until the surface is dry. A mild soap and warm water are recommended for daily cleaning.
- Avoid abrasive soaps or cleansers.
- It is advisable to protect the surface of the furniture when writing, drawing etc. to prevent possible damage.
- Do not cut directly on concrete top to avoid damaging the sealer.
- For added protection, we recommend the occasional application of a high-quality transparent furniture wax to the surface of the concrete top.
- We recommend protecting the table with a waterproof cover when not in use, to enhance the longevity of the table top.
- Wax regularly, once within 2 months of receiving your item and then every 3-6 months to maintain product long life.
- Hairline cracks can occur with concrete, if one appears, apply a thick layer of wax and rub in thoroughly to prevent moisture seeping in.
- Do not place this table near heating or cooling ventilations (A/C, heaters...).
- This item is tested and suitable for outdoor use as well. To improve the longevity of the product we recommend to display it under a roof. We recommend storing the product during extreme weather conditions.

### Safety instructions

- To prevent unnecessary pressure on the connection pieces of the furniture, place the furniture on an even surface.
- Never drag furniture when moving it, always lift it.
- Please take care when handling or moving the furniture, careless handling may cause damage or injury.
- Furniture can be dangerous if incorrectly installed. Assembly should be carried out by a competent person. No liability will be accepted for damage or injury caused by incorrectly installed or assembled furniture.