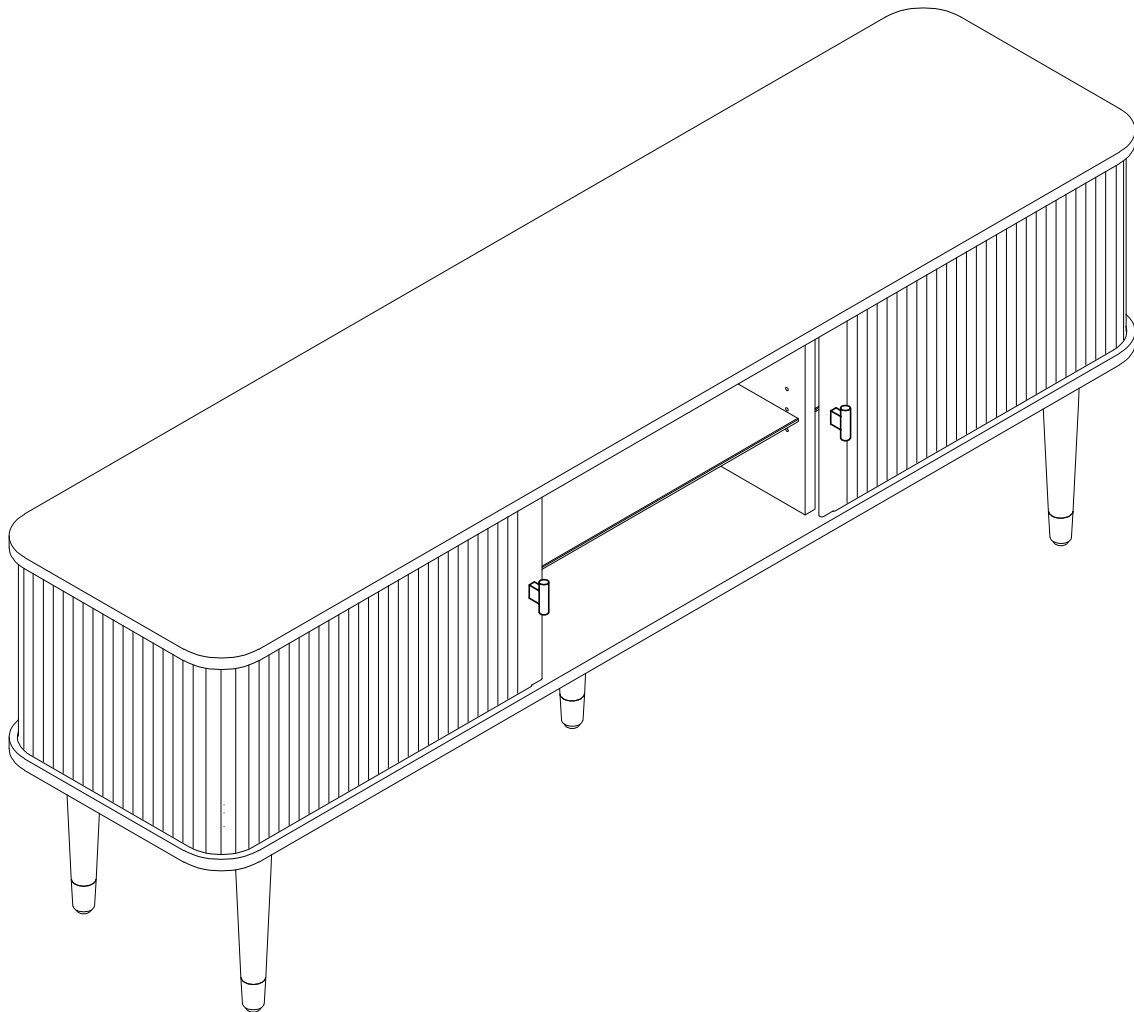


**Studio  
London.**

**Murray Wide TV Unit**

Stock number: SLMURTVDAT01



63"W x 15.75"D x 22.5"H

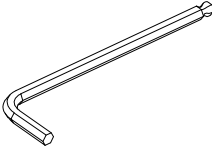
Congratulations on your purchase from Studio London!

In buying one of our quality products, you now own an item we sincerely hope you will love for years to come, without it costing the earth.

Responsibility is one of our core brand values. For every item sold, a tree is planted. Additionally, we invest in carbon reducing schemes, ensure all our materials are sustainably and responsibly sourced, and audit our suppliers to ensure they are safe, supportive, and ethically sound.

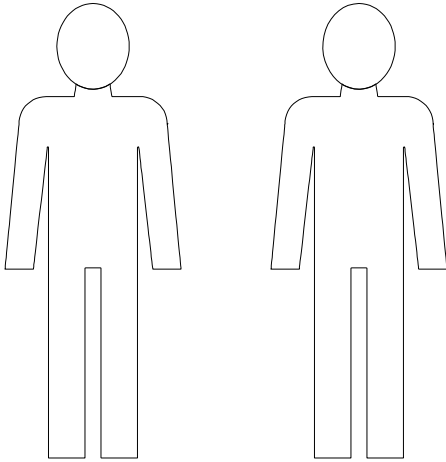
We hope you love your item. We would love to hear any feedback or comments. Visit us at [www.studiolondon.net](http://www.studiolondon.net) to comment or to find out more, and please follow us on Instagram at [studio\\_london\\_design](https://www.instagram.com/studio_london_design).

**Tools required**



**Time to assemble**  
10 mins

**People to assemble**



# Important safety information

## Warnings

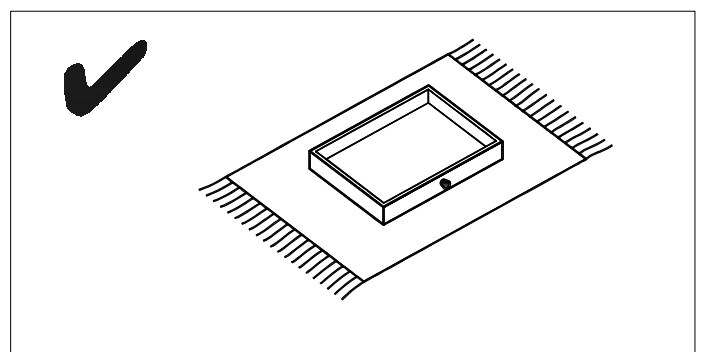
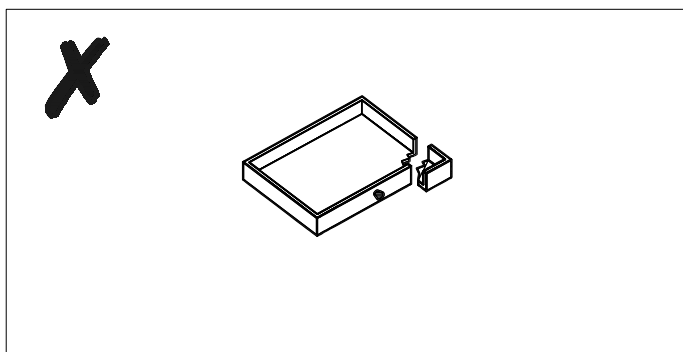
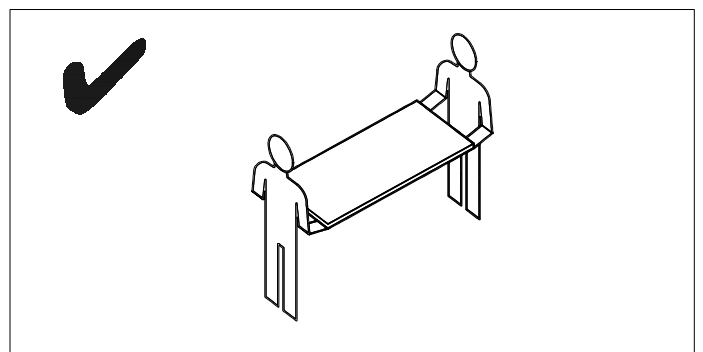
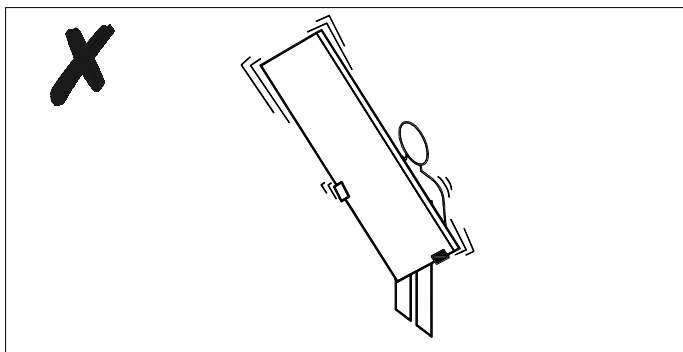
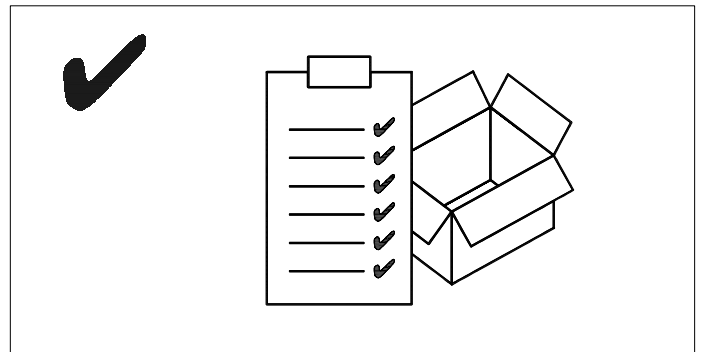
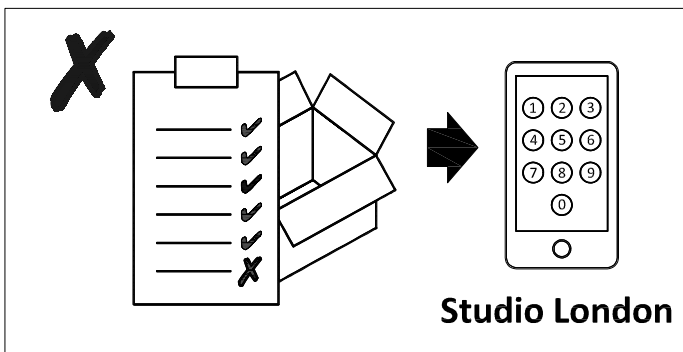
- ⚠ This product is not suitable for bedrooms.
- ⚠ The product should only be used on firm, level ground.
- ⚠ Keep small parts out of reach of children.
- ⚠ Ensure the product is fully assembled as illustrated before use.

## Do's

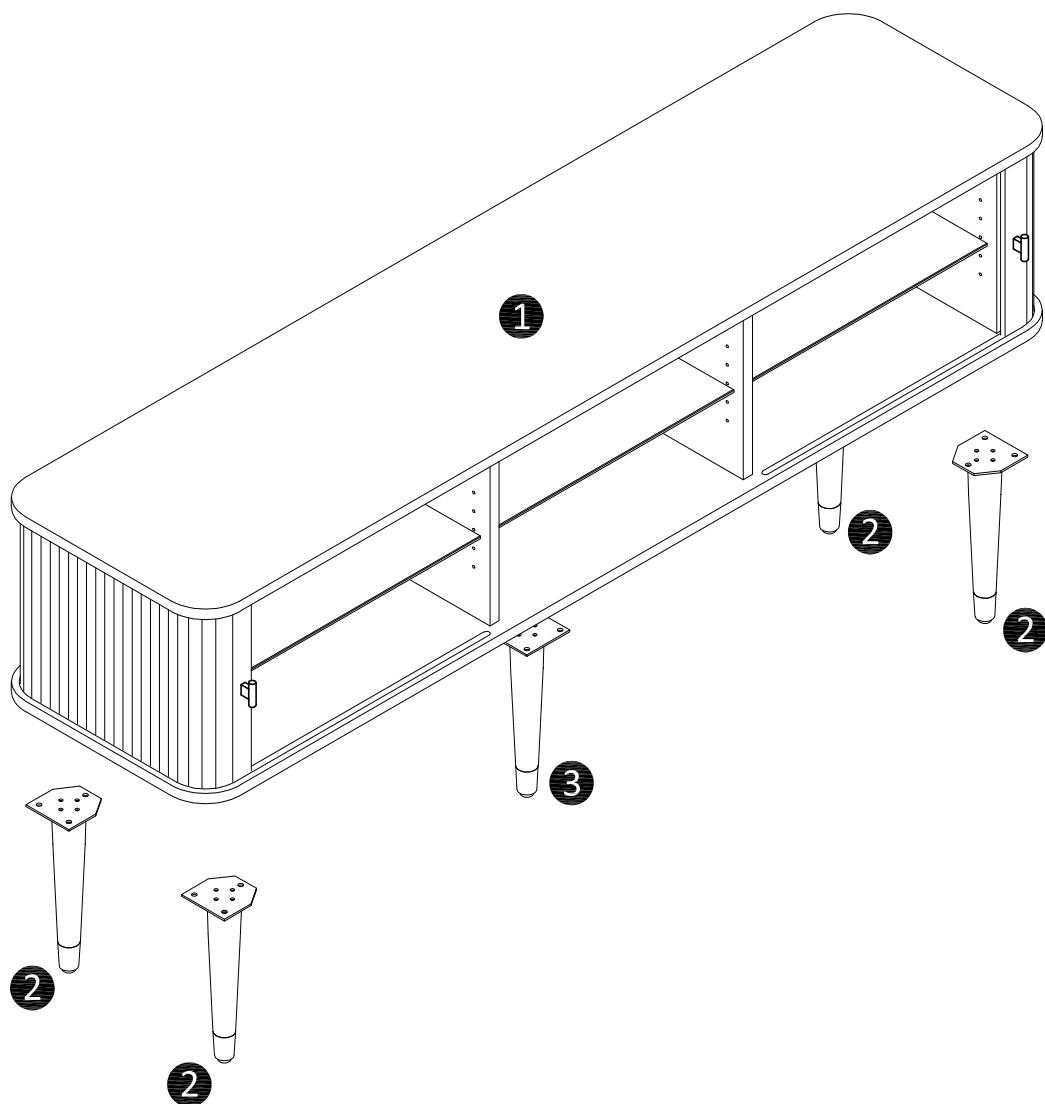
- ✓ Check the pack and make sure you have all the parts listed.
- ✓ Check all screws or bolts are tightened and inspect regularly.
- ✓ Make sure the legs remain in contact with the ground at all times.

## Don't

- ✗ Do not over tighten screws or bolts.
- ✗ Do not stand on the product.
- ✗ Do not use power tools to construct as overtightening and panel failure may occur.

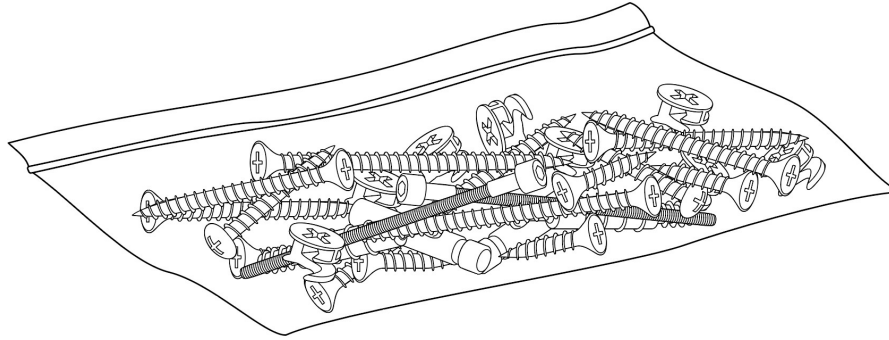


# Your Wide TV Unit

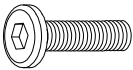

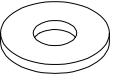


Ref	Description	Dimensions	Qty
1	Cabinet	63" x 15.75" x 12.5"	1
2	Legs	1.8" x 1.8" x 10"	4
3	Mid Leg	1.8" x 1.8" x 10"	1

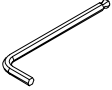
# Fixtures and fittings



## Fixtures and fittings supplied (true to size)

Ref	Description	Dimensions	Qty	mm										
				0	10	20	30	40	50	60	70			
<b>A</b>	Small allen bolt	M6 x 15mm	16											
<b>B</b>	Lock Washer	Dia. 11mm	16											
<b>C</b>	Washer	Dia.16mm	16											

## Fixtures and fittings supplied (not to scale)

Ref	Description	Dimensions	Qty	
<b>D</b>	Allen key	#4	1	

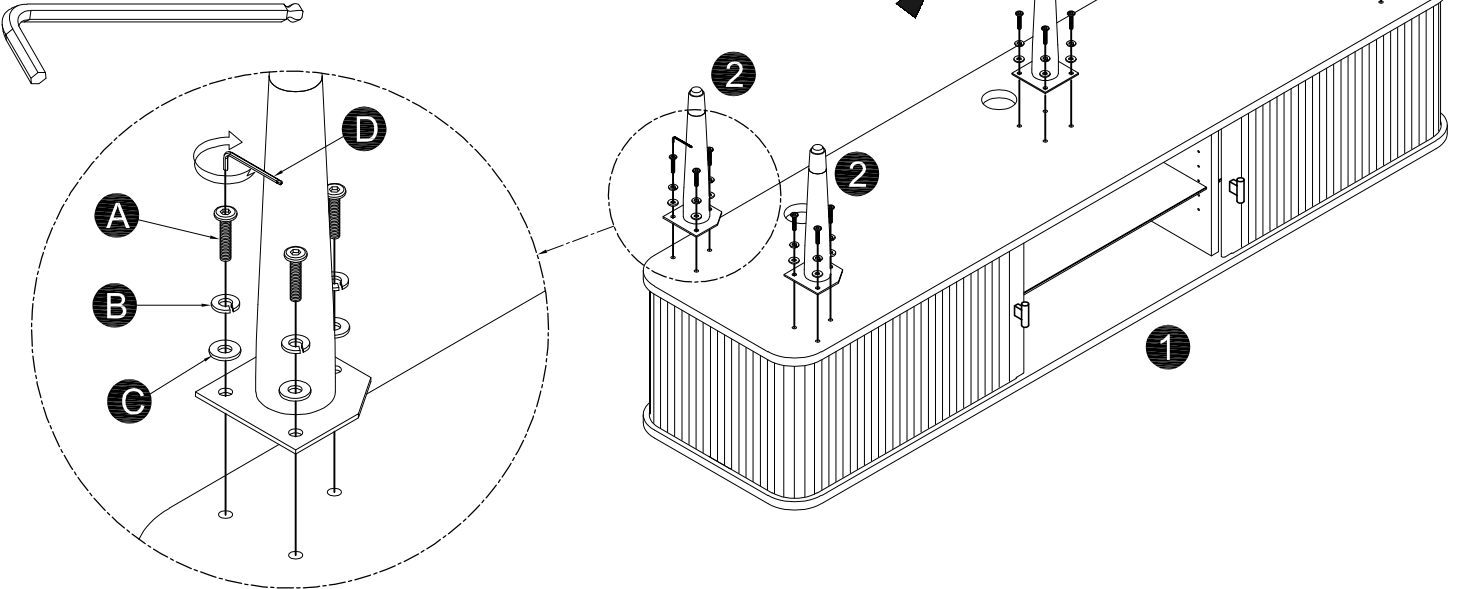
# Product assembly

Murray Wide TV Unit  
SLMURTVDAT01

## Step 1

Parts, fittings and tools

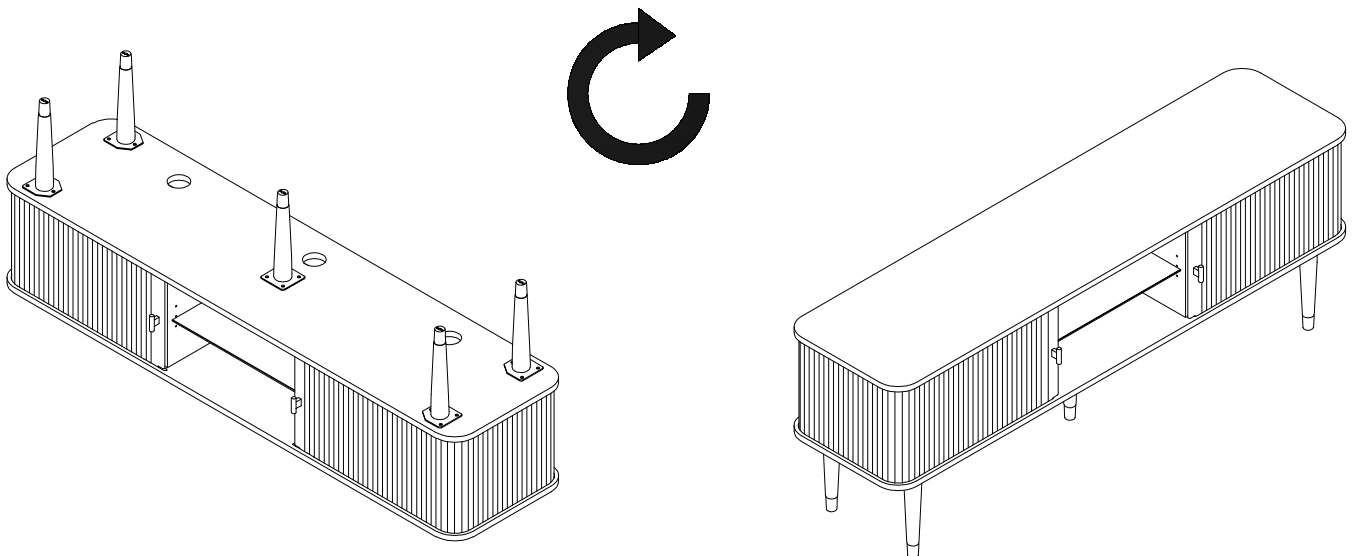
1 2 3 A B C D



Find clear area for assembly, near where you intend to use the TV Unit. Turn the top cabinet upside down on a soft surface. Then insert x1 small allen bolt ( A ) x 1 lock washer ( B ) and x 1 washer ( C ) combine together as shown above and tighten with allen key ( D ) provided. Repeat with each of the five legs ( x5 ).

## Step 2

Parts, fittings and tools



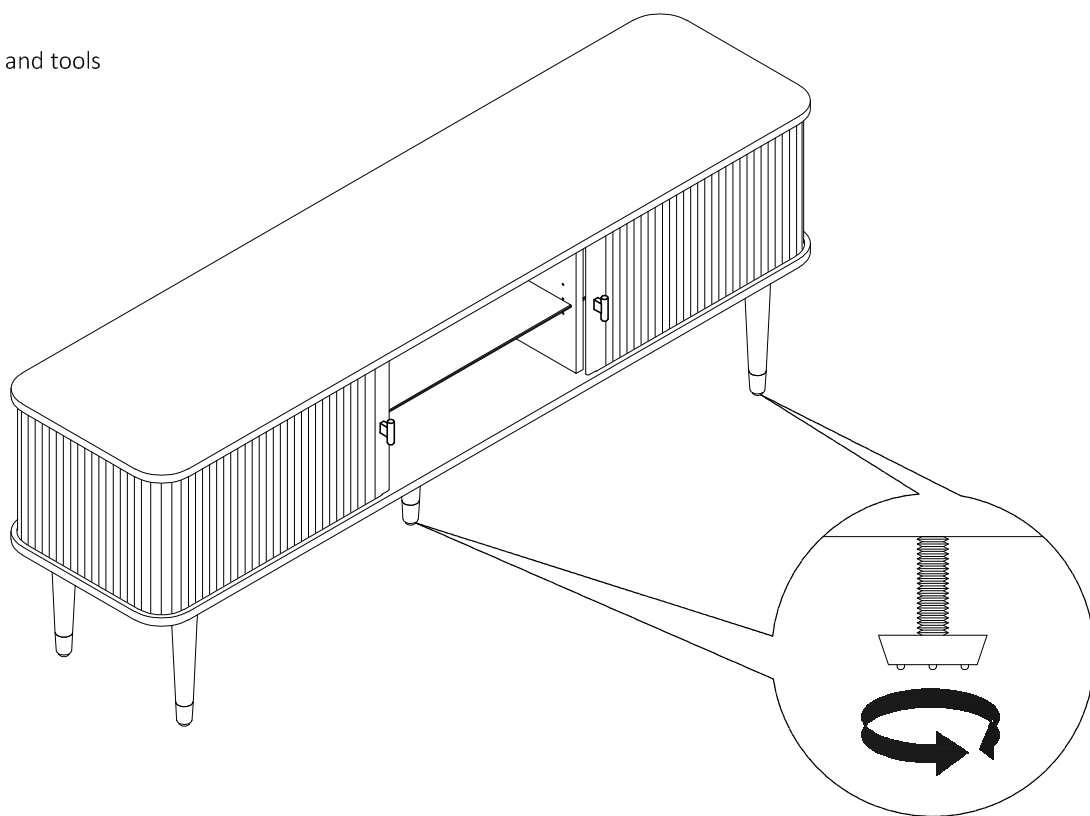
With 2 people carefully place the table on its feet. Take care when lifting not to damage the legs.

# Product assembly

Murray Wide TV Unit  
SLMURTVDAT01

## Step 3

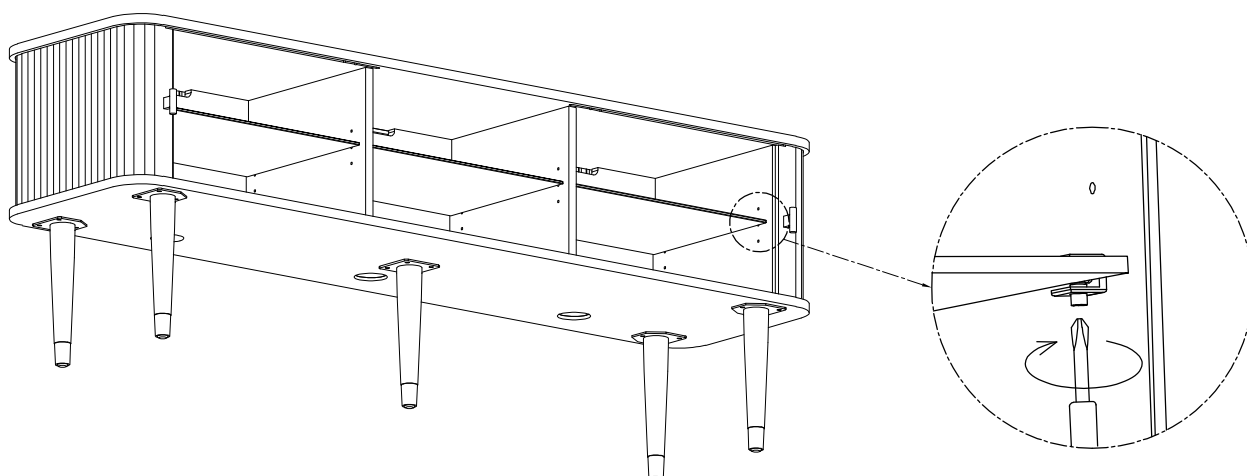
Parts, fittings and tools



Turn the adjustable feet to allow the cabinet to sit flat on the ground.

## Step 4

Parts, fittings and tools



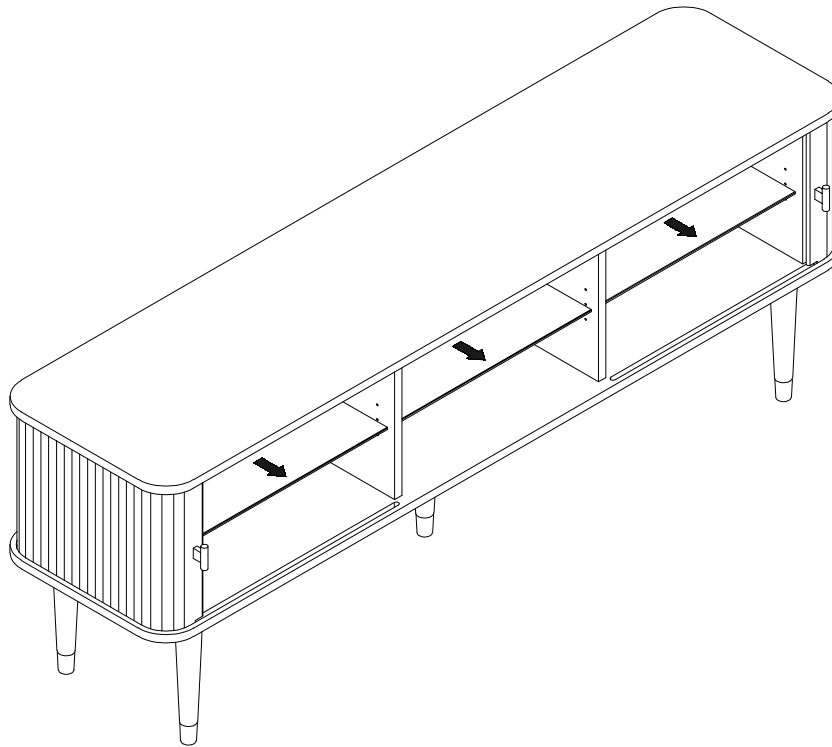
Adjustable shelf to the desired height by unscrewing the plastic grub screws from below

# Product assembly

Murray Wide TV Unit  
SLMURTVDAT01

## Step 5

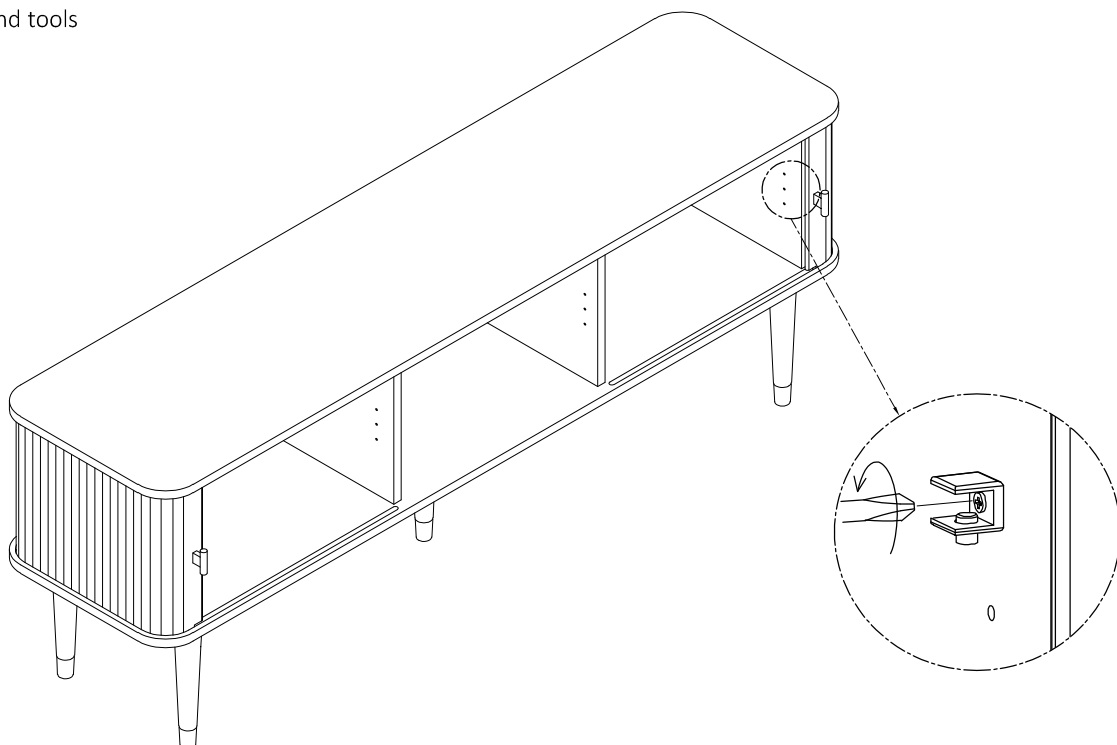
Parts, fittings and tools



Carefully slide the glass shelf out of the plastic grub screws of each shelf clip

## Step 6

Parts, fittings and tools



Put in shelf clips for each shelf at desired height ensuring the plastic grub screw is towards the base. Give the screw a half turn clockwise to tighten in place

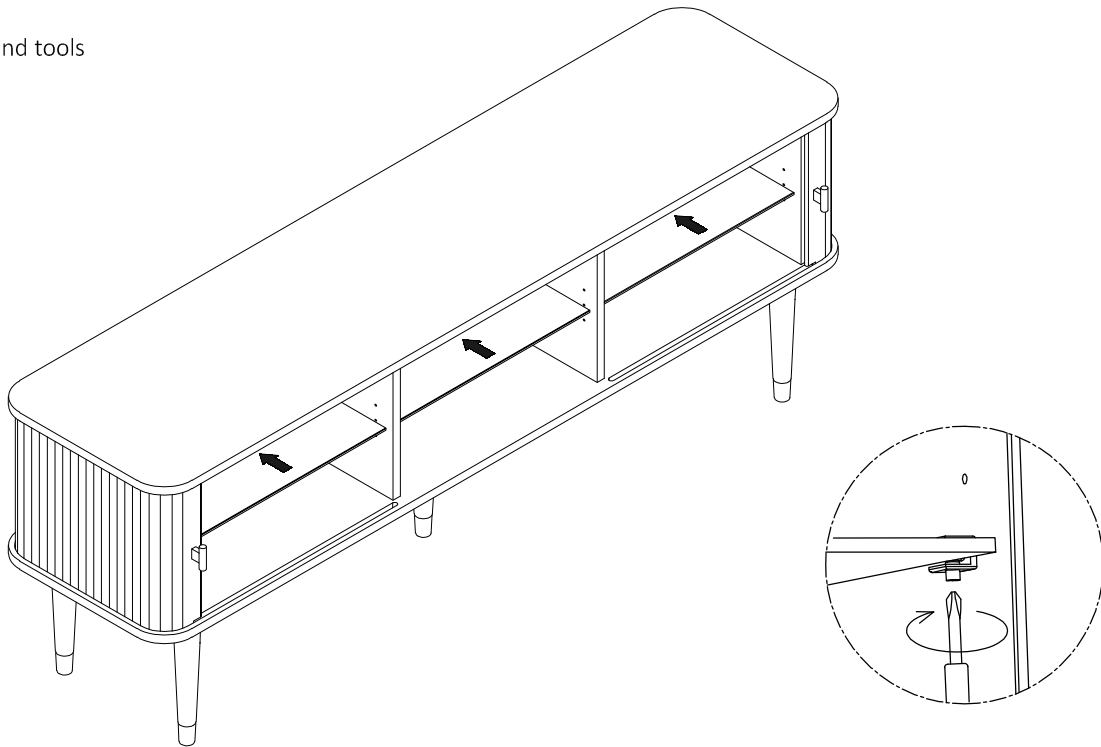


# Product assembly

Murray Wide TV Unit  
SLMURTVDAT01

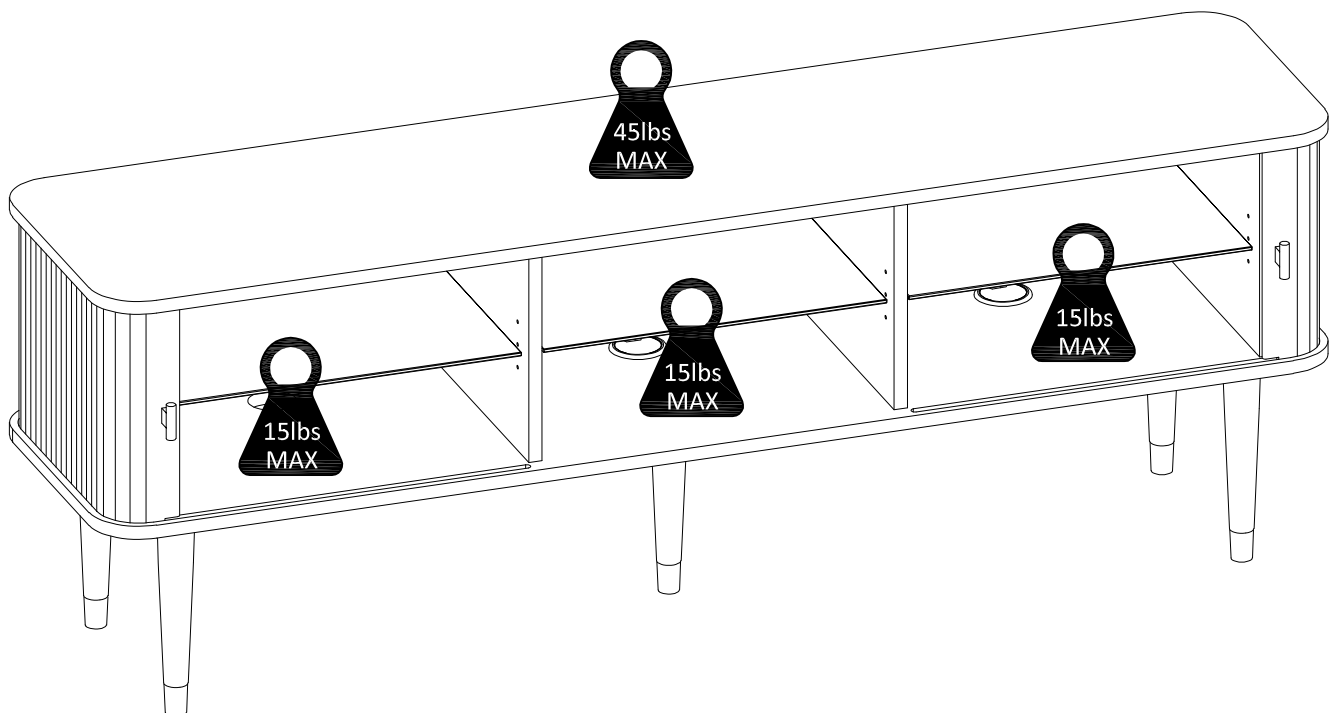
## Step 7

Parts, fittings and tools



Carefully slide the glass shelf into the cabinet resting on the plastic grub screws of each shelf clip. Then tighten plastic grub screws from below to secure shelf in place.

---



## Care and maintenance

### Wood furniture

Wood displays displays different grain patterns depending on which way they are cut - for example, the 'medullary ray' which can appear on oak furniture is a mark of good quality timber - these are just characteristics of the natural beauty of the wood. Some furniture is also deliberately aged and rustic.

Wood veneers also allow a distinctive pattern to be created on some surfaces, such as tabletops and drawer fronts by the way slivers are arranged.

All timber and veneer surfaces will change colour and mellow over time. New furniture will initially vary in shade from items that have been previously purchased.

### How to care for your wood furniture

Furniture with a hard lacquer, wax polish or painted surface should be dusted with a dry cloth.

Waxed furniture will need to be given a coat of beeswax a couple of times a year to help maintain its lustre.

Spray polishes are best avoided as they contain silicones which may spoil the furniture's surface when building up over time.

Make sure all surfaces are protected from the heat and liquids by mats and coasters. Wipe up spills immediately and ensure that a mat or pad is placed under paper if you are writing.

Our furniture will endure most temperatures in the home, but it is best to avoid placing furniture next to heat sources such as radiators or fires. Be particularly careful with solid wood as the lack of humidity caused by home heating can cause damage such as warping.

### Caution

This wood has a painted surface that can scratch. Please avoid contact with hard, sharp objects. Avoid placing plant pots or vases without waterproof mats to prolong the life of the product.

**Please do not sit or lean on this product.**

**Maximum Load Capacity:** 45lbs for the top surface, 15lbs for each shelf.

Retain these instructions for future reference.

**Your feedback is very important to us and we would love to hear your comments on you new furniture. Please visit our website to leave a review. Thank you.**

## Safe Home – Furniture

At Studio Lodon we pride ourselves in developing product that is great quality, offering the best possible value for money.

We also care about your safety, engineering product to minimise any potential risk and providing you with information to enable you to make your home safe and prevent accidents from happening.

### Furniture stability

Furniture stability and ‘tipping or overturning’ is of particular concern and it’s important to consider the environment in which your furniture is being placed and who might come in to contact with it. For example small children may be attracted to toys placed out of reach and may use furniture as a ladder to retrieve them. The elderly may also use furniture to pull themselves up from low seating and even pets climbing on furniture could cause furniture to become unstable.

It’s also recommended that heavy items such as TVs are positioned on furniture suitable for the job to prevent any risk of the furniture toppling over.

Other considerations to prevent accidents are how furniture is loaded. Heavier items should be positioned on lower shelves or lower drawers so that the furniture is more stable and less likely to topple.

### Wall fixing or attachment devices

We would strongly recommend that all freestanding furniture over 23 5/8 inch in height is attached to the wall for added safety. This is critical where babies and children have access and there is an increased risk of a toppling incident occurring.

Consider the type of wall that your furniture is to be positioned against when making your purchase and make sure that you use the correct wall fixings referring to the ‘Wall anchoring guide’ which you will find in your product instructions.

If in doubt about which wall fixings to use, or if you’re concerned about your DIY competency seek expert advice from a qualified tradesperson.

### Warning label

The following label can be found on own brand products and is affixed permanently. This should remain on the product for the duration of its life additionally offering guidance to customers that purchase the furniture in the second hand market.

