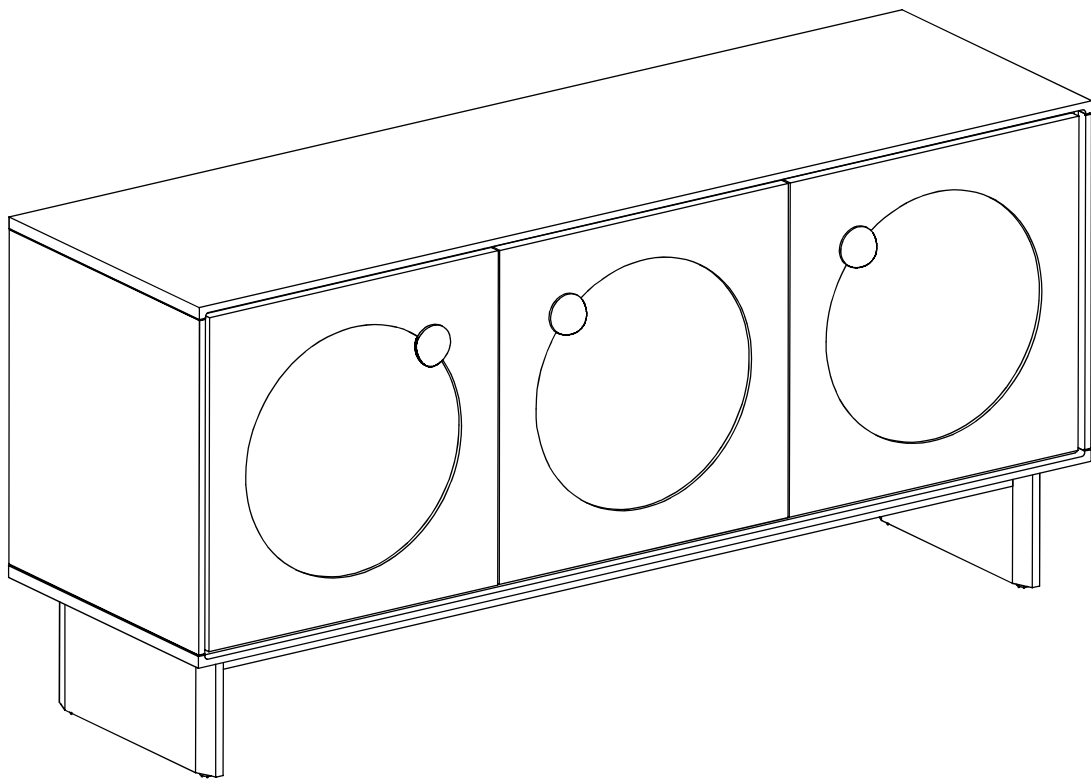


**Studio
London.**

Orka Sideboard

Stock number: SLORKSBTHU01



58.2" W x 17.7" D x 27.5" H

Thank you for purchasing the Orka Sideboard from Studio London. Please read the instructions and warnings carefully before use, to ensure safe and satisfactory operation of this product.

At Studio London, we are trying to make products you will love for years to come without it costing the earth.


From our in-house Design Team, to our Buyers, we work together to bring great design to life at fair prices. Our expert Product Technologists work collaboratively with our buyers and suppliers to ensure the legality, safety, sustainability and quality of the product we sell.

We are all committed to designing and developing products to the highest industry standards and in the most sustainable, responsible manner.

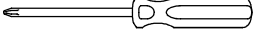

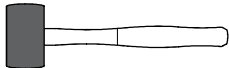

We hope you love your new product as much as we do and welcome any feedback or comments you may have.

The Studio London Team

Tools required

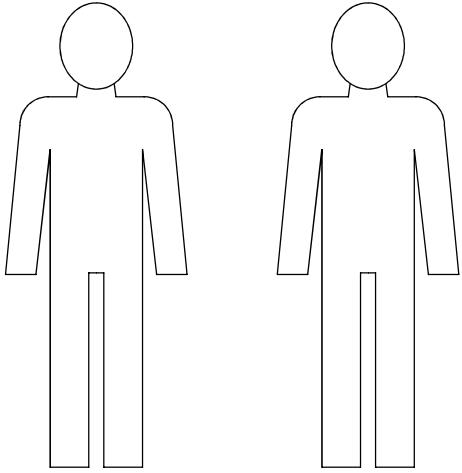


Wall attachment



Time to assemble
20 mins

People to assemble



Important safety information

Warnings

This product is not suitable for bedrooms.

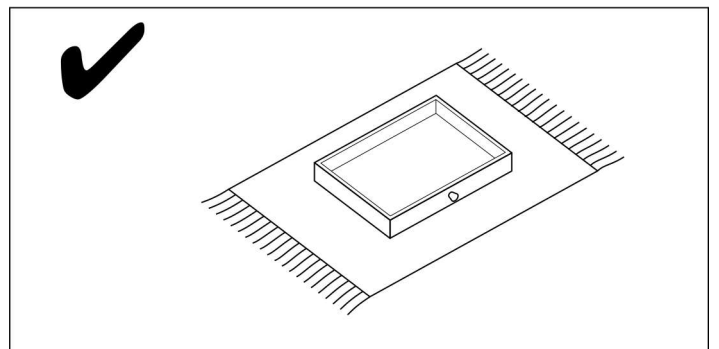
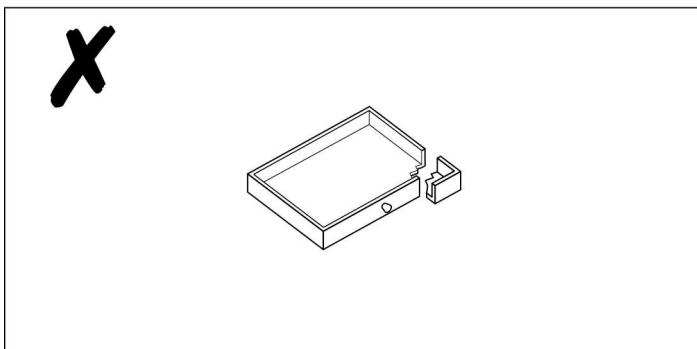
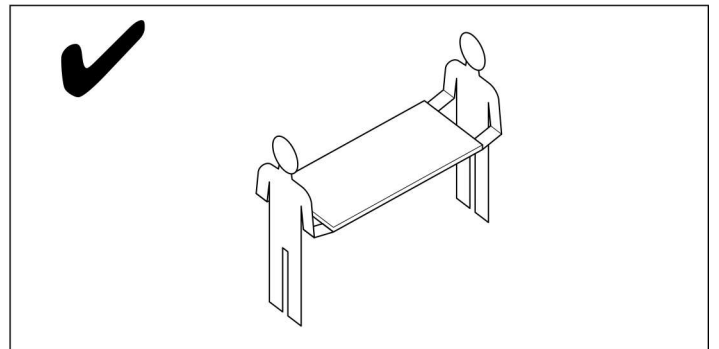
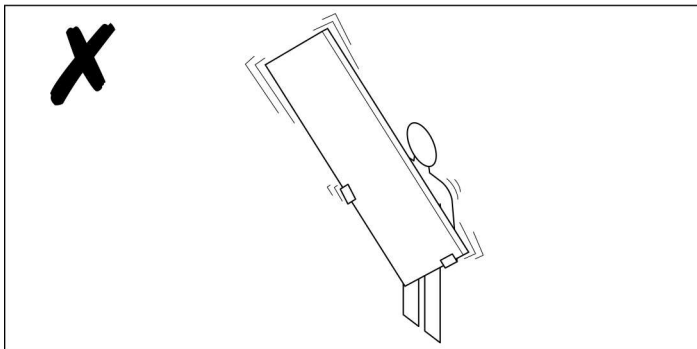
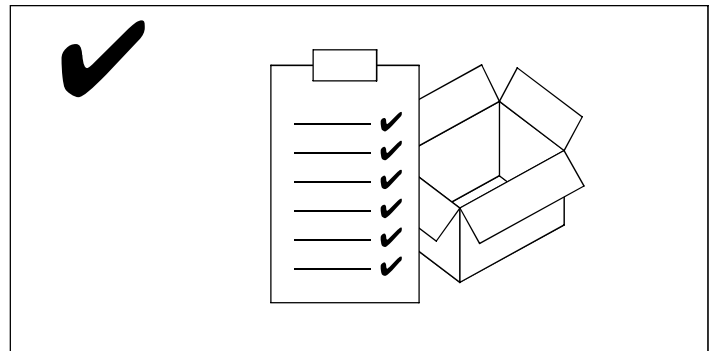
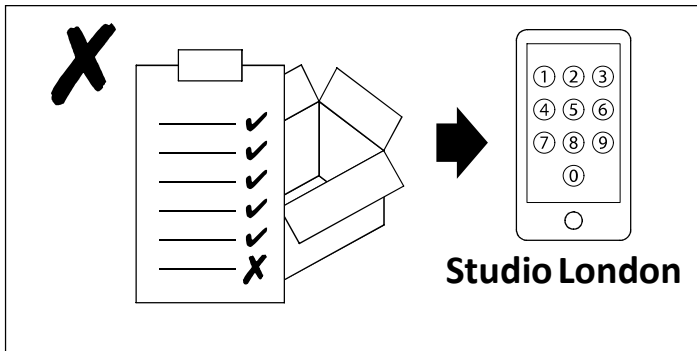
- ⚠ The product should only be used on firm, level ground.
- ⚠ Keep small parts out of reach of children.
- ⚠ Ensure the product is fully assembled as illustrated before use.

Do's

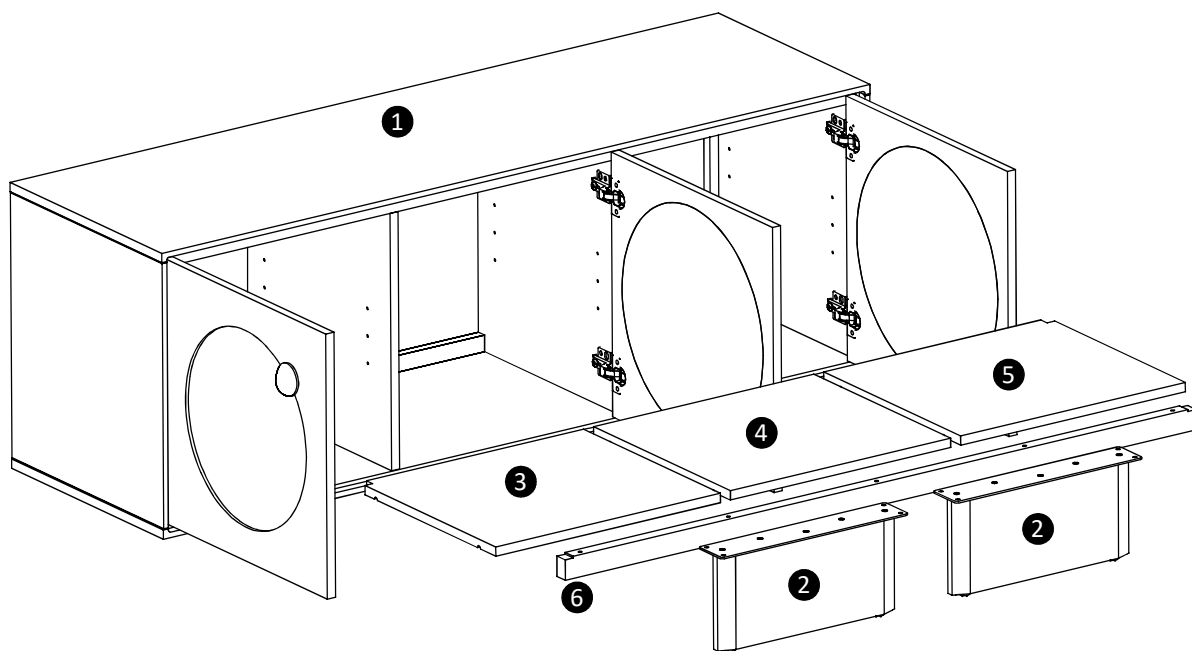
- ✓ Check the pack and make sure you have all the parts listed.
- ✓ Check all screws or bolts are tightened and inspect regularly.
- ✓ Make sure the legs remain in contact with the ground at all times.

Don't

- ✗ Do not over tighten screws or bolts.
- ✗ Do not stand on the product.
- ✗ Do not use power tools to construct as overtightening and panel failure may occur.

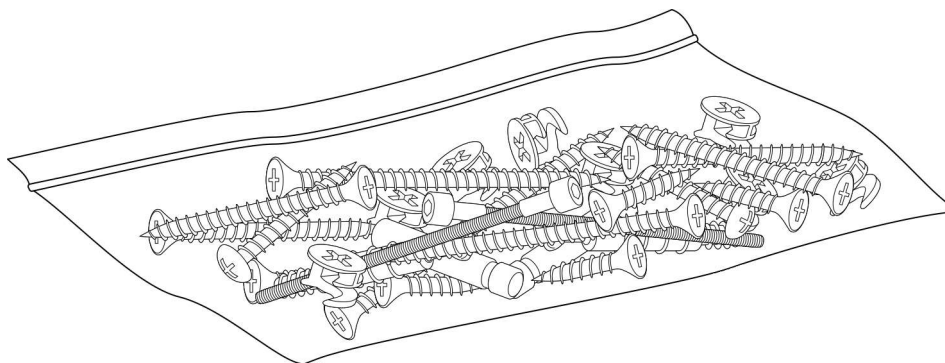


Your Sideboard

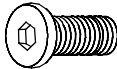




Ref	Description	Dimensions	Qty
①	Cabinet	58 1/4" x 17 3/4" x 20 1/2"	1
②	Leg	15 3/8" x 1 3/8" x 7 1/8"	2
③	Shelf/left	18 1/2" x 16" x 3/4"	1
④	Shelf/center	18 1/2" x 16" x 3/4"	1
⑤	Shelf/right	18 1/2" x 16" x 3/4"	1
⑥	Support rail	51 15/16" x 1" x 1 9/16"	1

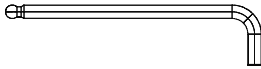


Fixtures and fittings



Fixtures and fittings supplied (actual size)

Ref	Description	Dimensions	Qty	mm
A	Small allen bolt	M6 x 15mm	10	
B	Large allen bolt	M6 x 35mm	5	
C	Washer	Dia.16mm	15	

Fixtures and fittings supplied (not actual size)

Ref	Description	Dimensions	Qty	
D	Allen key	#4	1	
E	Wall bracket	6cm x 1.7cm x 2.5cm	2	
F	Shelf supports		12	

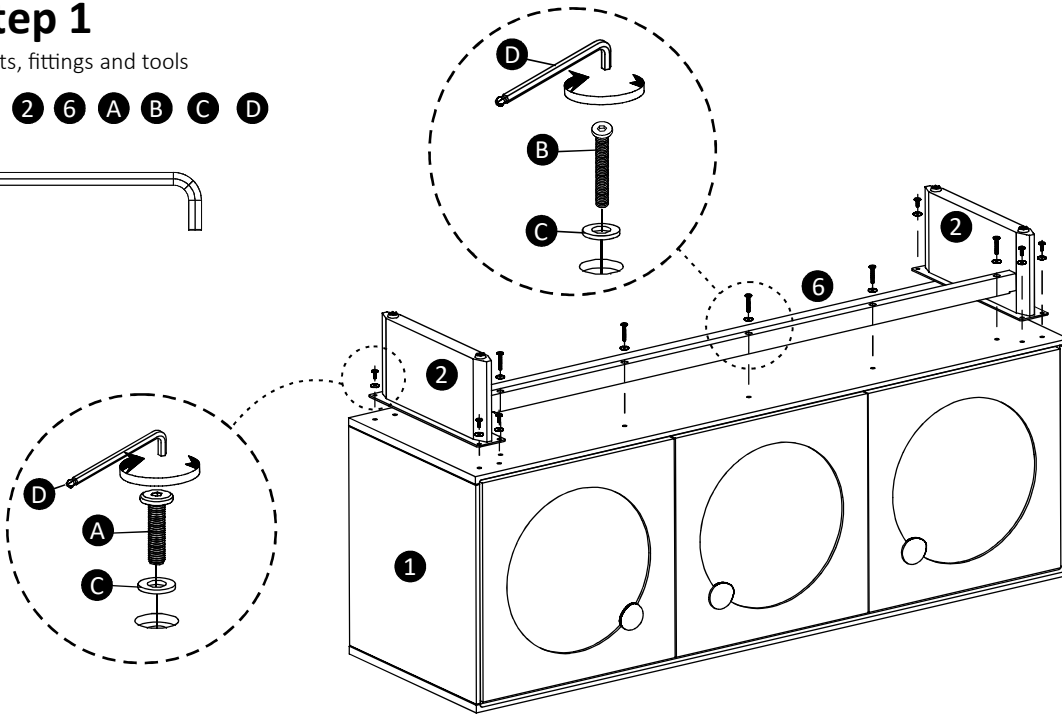
Product assembly

Orka Sideboard
SLORKSBTHU01

Step 1

Parts, fittings and tools

1 2 6 A B C D



Find clear area for assembly, near where you intend to use the Sideboard . Turn the cabinet (1) upside down on a soft surface. Locate and secure the legs (2) as shown above using the allen bolts (A), washer (C) and the allen key (D).

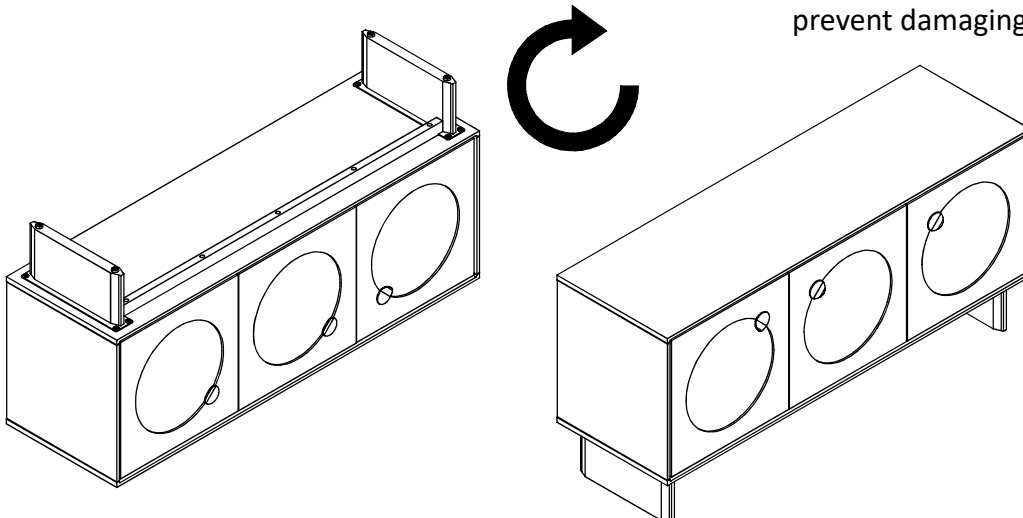
Locate the support rail (6) and secure using the allen bolts (B), washers (C) and allen key (D).

Step 2

Parts, fittings and tools



CAUTION!
Please take care when lifting,
this unit is heavy!
Please lift by holding
the top and bottom panels to
prevent damaging the legs!



With 2 people carefully turn cabinet over and place in position. Take care when lifting not to damage the legs.

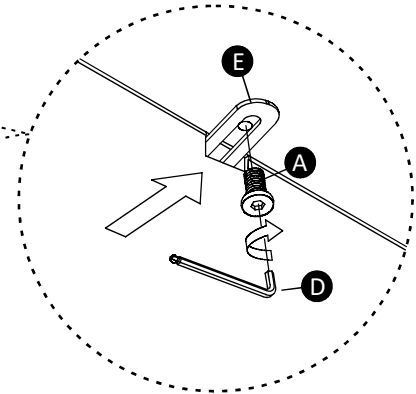
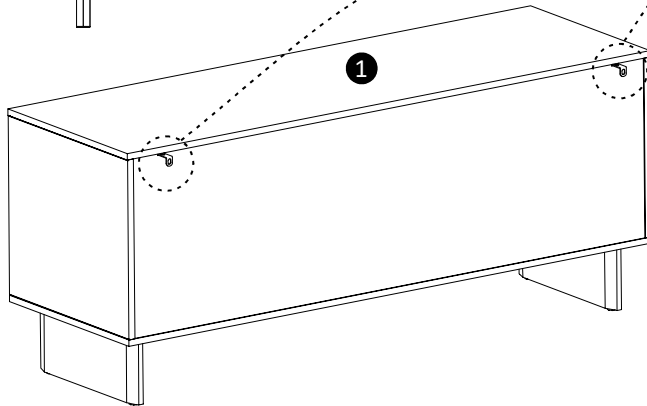
Product assembly

Orka Sideboard
SLORKSBTHU01

Step 3

Parts, fittings and tools

1 A D E



View from inside the cabinet.

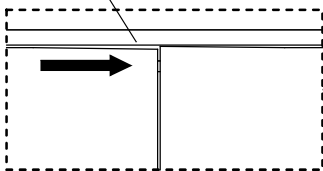
Locate the wall brackets (E) in the slots on the back of the cabinet and fasten to the inside of the cabinet with the allen bolt (B) and the allen key (D).

Step 4

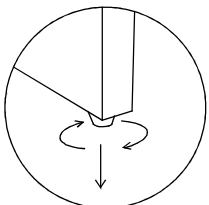
Parts, fittings and tools

Scenario A.

If the gaps increase from left to right...

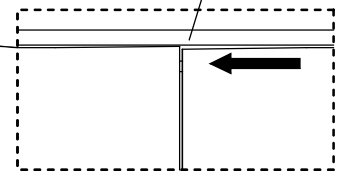


...increase height of the front left foot (1) by unscrewing it so the foot moves towards the ground

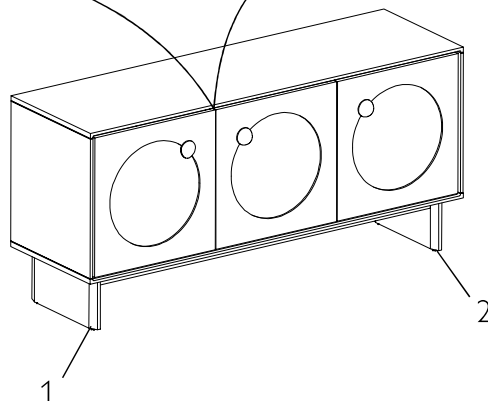
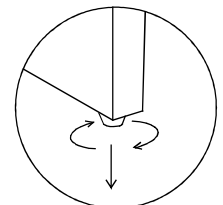


Scenario B.

If the gaps increase from right to left...



...increase height of the front right foot (2) by unscrewing it so the foot moves towards the ground



Move the cabinet into its location of intended use next to a wall. Turn the adjustable feet so the cabinet is level (you can use a spirit level to help here). Also check that the doors are level- the gap between the top edge of the doors and the frame above should ideally be consistent. If it is not, you can correct this by making slight adjustments to the feet by following the guide above.

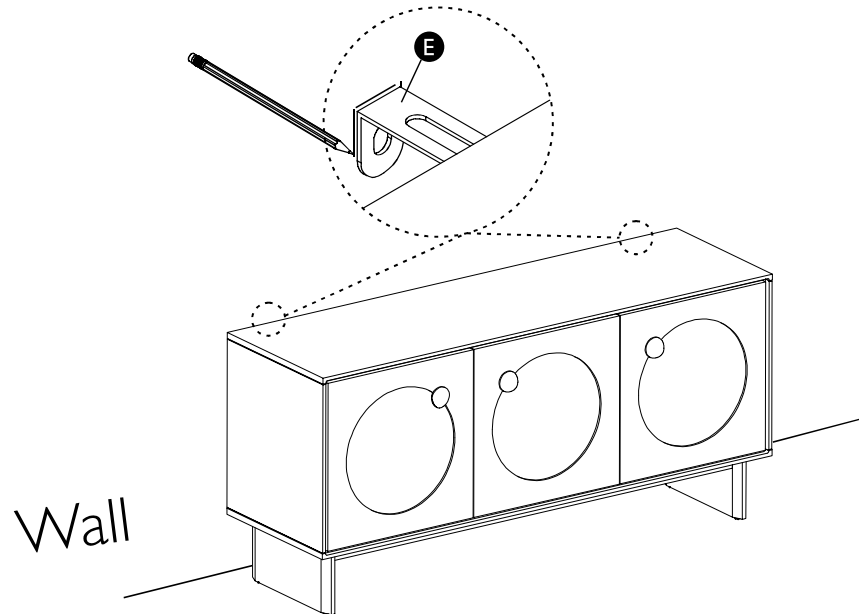
Product assembly

Orka Sideboard
SLORKSBTHU01

Step 5

Parts, fittings and tools

E

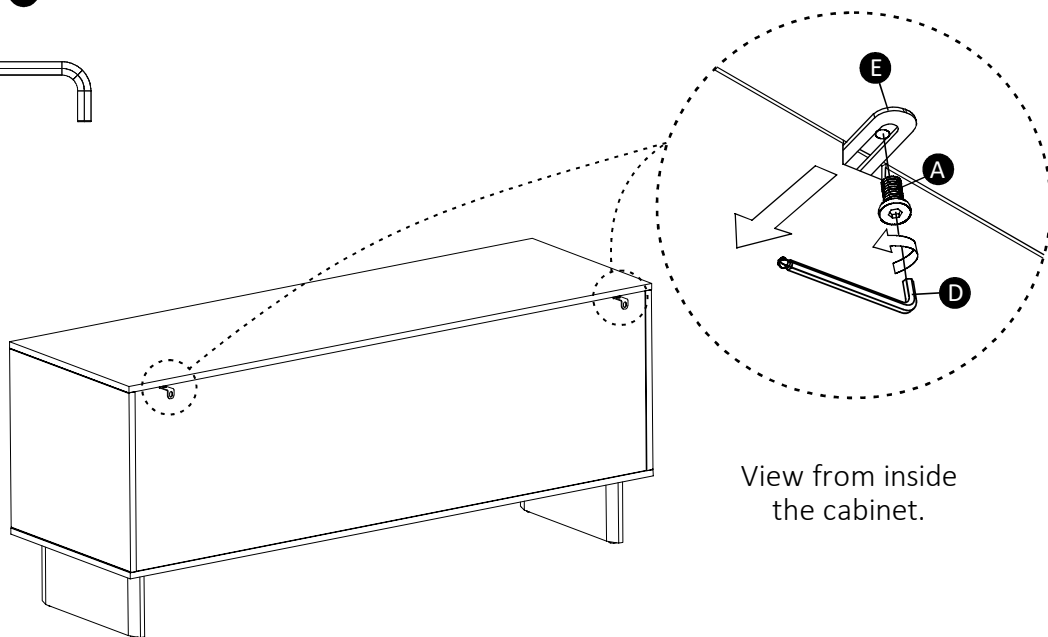


Once the cabinet has been leveled, slide the wall brackets (E) towards the wall. With a pencil lightly and precisely mark the position for each bracket (E) on the wall. Now carefully move the cabinet away from the wall to allow space for drilling.

Step 6

Parts, fittings and tools

1 A D E



Loosen the allen bolt (A) and remove the wall bracket (E) from the sideboard (1) with the allen key (D)

Product assembly

Orka Sideboard
SLORKSBTHU01

Wall attached item only:

A guide to wall mounting and fixings



A guide to wall mounting and fixings

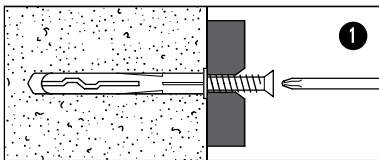
Serious or fatal crushing injuries can occur from furniture tipping over.

To prevent this furniture from tipping over it must be permanently fixed to the wall.

Wall fixing screws are not included, since different wall materials require different types of screws / fixings. Please ensure you use the correct screws / fixings for your type of walls and seek professional advice if you are not sure.

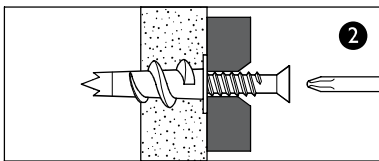
Failure of the product due to incorrect fixings is the responsibility of the installer.

Important: When drilling into the walls always check that there are no hidden wires or pipes etc.



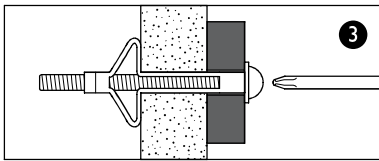
Types of walls

You can use one of the following types of wall plug if your walls are made of brick, breezeblock, concrete, stone or wood.



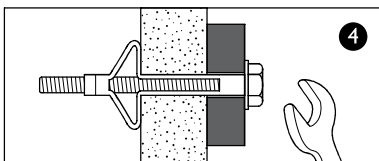
1. General purpose wall plug

Generally aerated blocks should not be used to support heavy loads, use a specialist fitting in this case. For light loads, general-purpose wall plugs can be used.



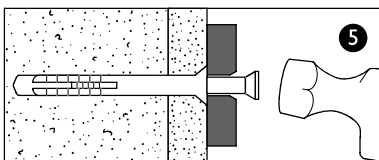
2. Plasterboard wall plug

For use when attaching light loads onto plasterboard partitions.



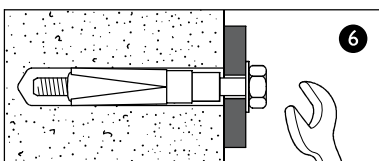
3. Cavity fixing wall plug

For use with plasterboard partitions or hollow wooden doors.



4. Cavity fixing - heavy duty wall plug

For use when fitting or supporting heavy loads such as shelving, wall cabinets and coat racks.



5. Hammer fixing wall plug

For use with walls stuck with plasterboard. The hammer fixing allows it to be fixed to the wall rather than the plasterboard. Always check the fixing is secure to the retaining wall.

6. Shield anchor wall plug - heavy loads

For use with heavier loads such as TV and Hi-Fi speakers and satellite dishes etc.



Care and maintenance

Safety: Periodically check all fittings and wall fixings to ensure they have not come loose and retighten as necessary.

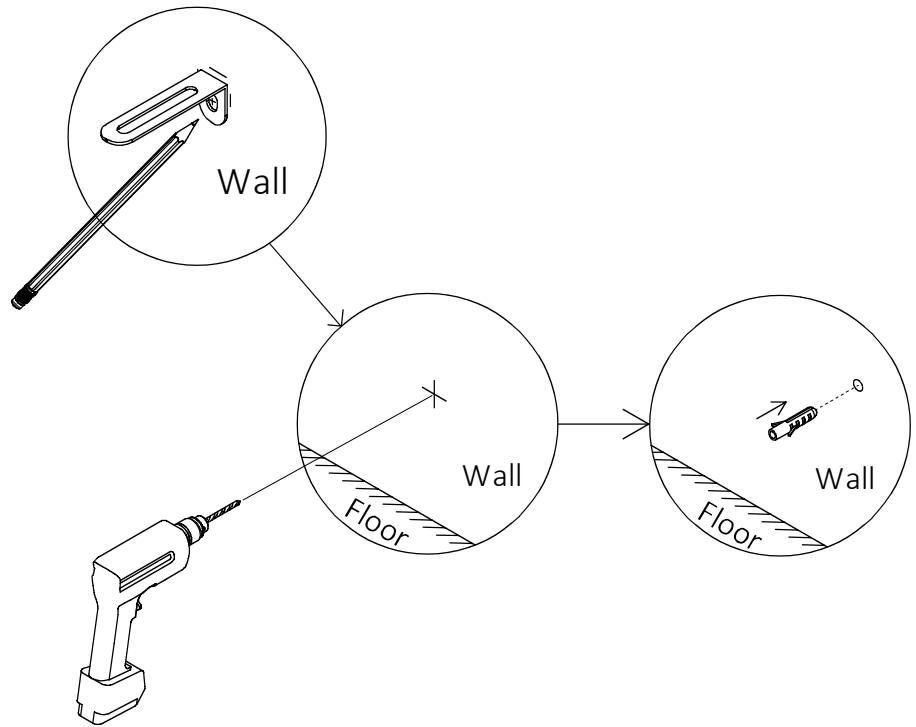
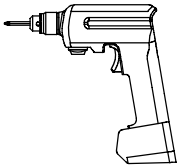
Product assembly

Orka Sideboard
SLORKSBTHU01

Step 7

Parts, fittings and tools

E



Reposition the wall bracket between the marks made in step (5) and mark with a pencil where the screw holes are going to be located. Before drilling, ensure the size of holes will be correct to fit the rawl plugs (not included).

Warning: Ensure the area to be drilled is free from hidden electrical wires, water and gas pipes.

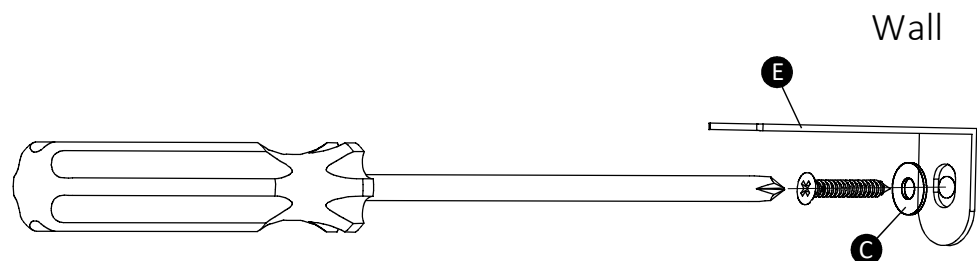
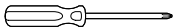
Caution: The wall fixings supplied are for solid brick walls only.

Drill the holes according to the marked position. Push the rawl plugs (not included) into position as shown above.

Step 8

Parts, fittings and tools

C E



Secure the wall brackets (E) to the wall using the washers (C) and screws (not included). Tighten with the screwdriver.

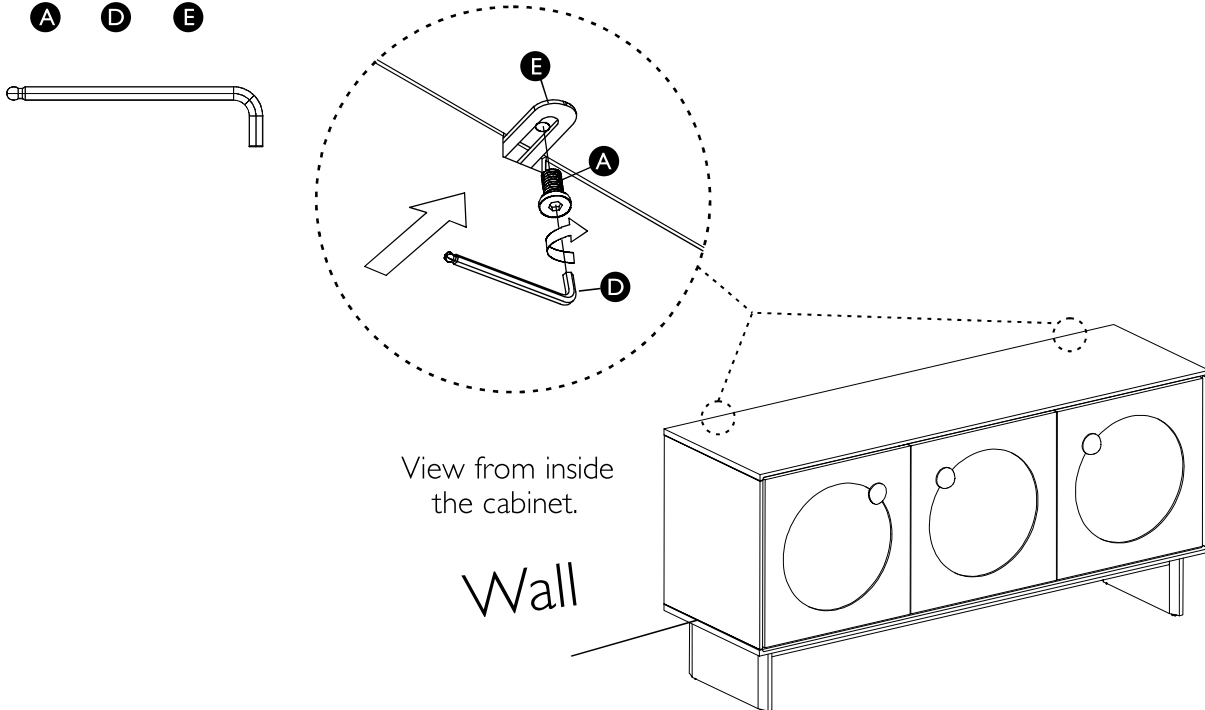
Product assembly

Orka Sideboard
SLORKSBTHU01

Step 9

Parts, fittings and tools

A **D** **E**

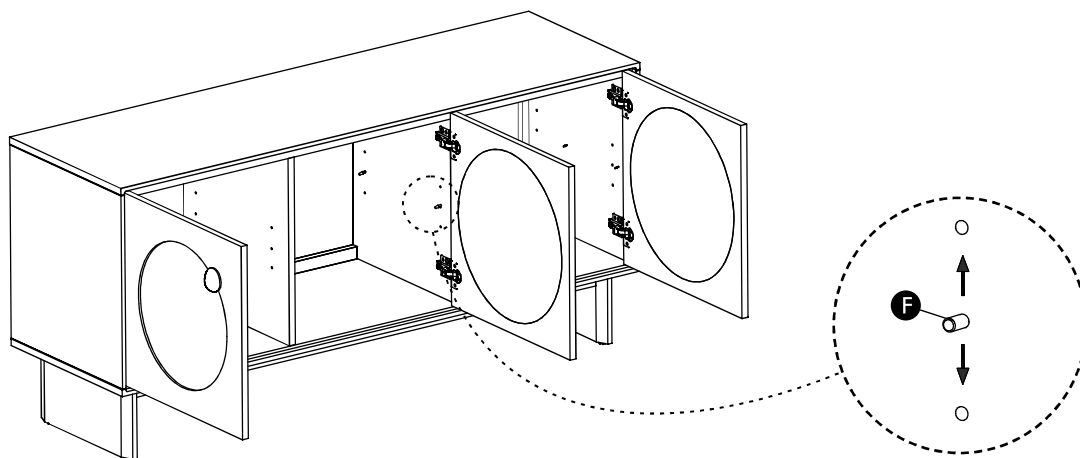


Locate the Sideboard so that the wall brackets insert into the slots on the sideboard as shown above. Then open the doors and tighten the allen bolts (A) to the wall brackets (E) with the allen key (D).

Step 10

Parts, fittings and tools

F



Open the doors, choose the height you'd like the shelves to be at, and adjust the shelf height by positioning the shelf pins (F) up and/or down in the given holes.

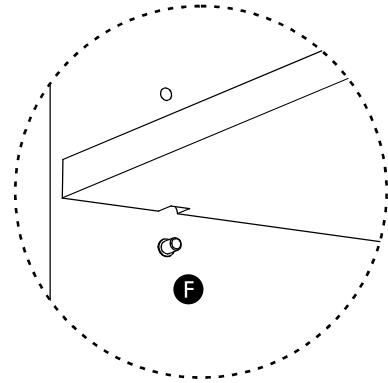
Product assembly

Orka Sideboard
SLORKSBTHU01

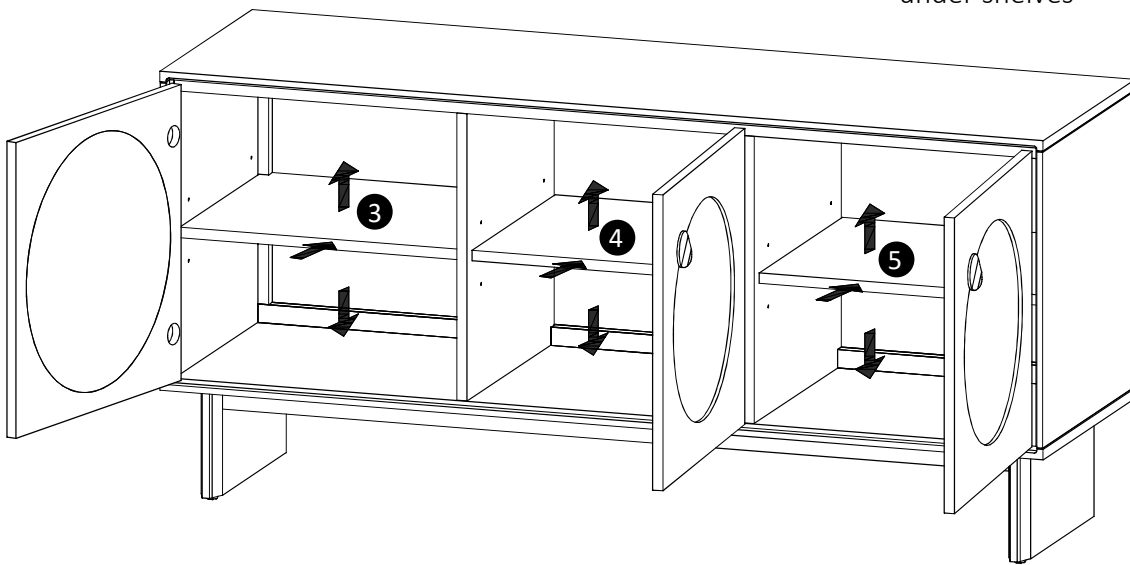
Step 11

Parts, fittings and tools

3 **4** **F**



View from
under shelves



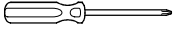
Locate the shelves (3), (4), (5) at the desired height onto the shelf pins as shown above.

Product assembly

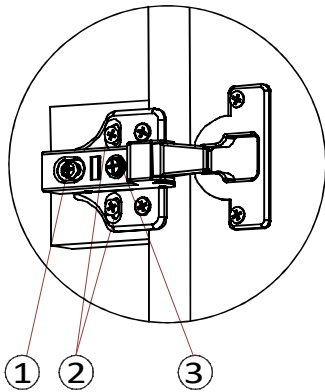
Orka Sideboard
SLORKSBTHU01

Step 12

Parts, fittings and tools



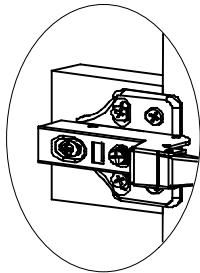
HINGE ADJUSTMENT INSTRUCTION



PLEASE NOTE:

Clearance around the door can be altered by adjustment of the hinge screws.

- The gap between the front and back of the door is adjusted by screw (1).
- The upper and lower clearance is adjusted by the (2) screws.
- The left and right clearance is adjusted by screw (3).

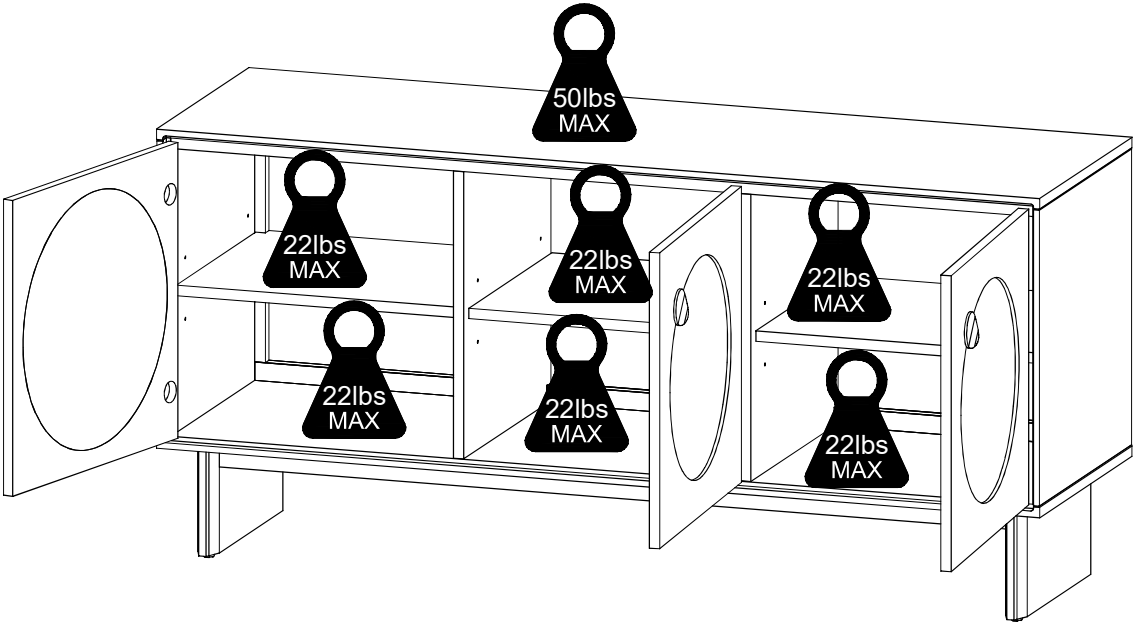


PLEASE NOTE:

The door can be removed by unscrewing all the screws that attach the hinges to the wood inside.

Product assembly

Orka Sideboard
SLORKSBTHU01



Care and maintenance

Wood furniture

Wood displays different grain patterns depending on which way they are cut - for example, the 'medullary ray' which can appear on oak furniture is a mark of good quality timber - these are just characteristics of the natural beauty of the wood. Some furniture is also deliberately aged and rustic.

Wood veneers also allow a distinctive pattern to be created on some surfaces, such as tabletops and drawer fronts by the way slivers are arranged.

All timber and veneer surfaces will change colour and mellow over time. New furniture will initially vary in shade from items that have been previously purchased.

How to care for your wood furniture

Furniture with a hard lacquer, wax polish or painted surface should be dusted with a dry cloth.

Waxed furniture will need to be given a coat of beeswax a couple of times a year to help maintain its lustre.

Spray polishes are best avoided as they contain silicones which may spoil the furniture's surface when building up **over time**.

Make sure all surfaces are protected from the heat and liquids by mats and coasters. Wipe up spills immediately and ensure that a mat or pad is placed under paper if you are writing.

Our furniture will endure most temperatures in the home, but it is best to avoid placing furniture next to heat sources such as radiators or fires. Be particularly careful with solid wood as the lack of humidity caused by home heating can cause damage such as warping.

Caution

This wood has a painted surface that can scratch. Please avoid contact with hard, sharp objects. Avoid placing plant pots or vases without waterproof mats to prolong the life of the product.

Please do not sit or lean on this product.

Maximum Load Capacity: 50lbs for the top surface, 22lbs for each shelf.

Retain these instructions for future reference.

Your feedback is very important to us and we would love to hear your comments on you new furniture. Please visit our website to leave a review. Thank you.

Safe Home – Furniture

At Studio Lodon we pride ourselves in developing product that is great quality, offering the best possible value for money.

We also care about your safety, engineering product to minimise any potential risk and providing you with information to enable you to make your home safe and prevent accidents from happening.

Furniture stability

Furniture stability and ‘tipping or overturning’ is of particular concern and it’s important to consider the environment in which your furniture is being placed and who might come in to contact with it. For example small children may be attracted to toys placed out of reach and may use furniture as a ladder to retrieve them. The elderly may also use furniture to pull themselves up from low seating and even pets climbing on furniture could cause furniture to become unstable.

It’s also recommended that heavy items such as TVs are positioned on furniture suitable for the job to prevent any risk of the furniture toppling over.

Other considerations to prevent accidents are how furniture is loaded. Heavier items should be positioned on lower shelves or lower drawers so that the furniture is more stable and less likely to topple.

Wall fixing or attachment devices

We would strongly recommend that all freestanding furniture over 60cm in height is attached to the wall for added safety. This is critical where babies and children have access and there is an increased risk of a toppling incident occurring.

Consider the type of wall that your furniture is to be positioned against when making your purchase and make sure that you use the correct wall fixings referring to the ‘Wall anchoring guide’ which you will find in your product instructions.

If in doubt about which wall fixings to use, or if you’re concerned about your DIY competency seek expert advice from a qualified tradesperson.

Warning label

The following label can be found on own brand products and is affixed permanently. This should remain on the product for the duration of its life additionally offering guidance to customers that purchase the furniture in the second hand market.

