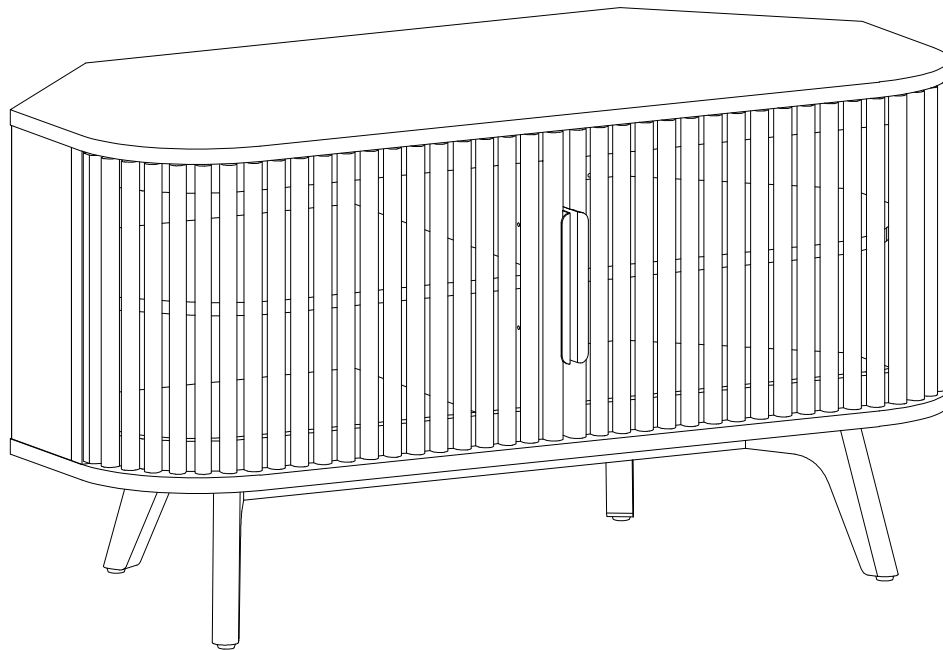


**Studio  
London.**

**Sierra Corner Media Unit**  
Stock number: SLSIETVSAV01



43"W x 20.5"D x 23"H


Congratulations on your purchase from Studio London!

In buying one of our quality products, you now own an item we sincerely hope you will love for years to come, without it costing the earth.

Responsibility is one of our core brand values. For every item sold, a tree is planted. Additionally, we invest in carbon reducing schemes, ensure all our materials are sustainably and responsibly sourced, and audit our suppliers to ensure they are safe, supportive, and ethically sound.

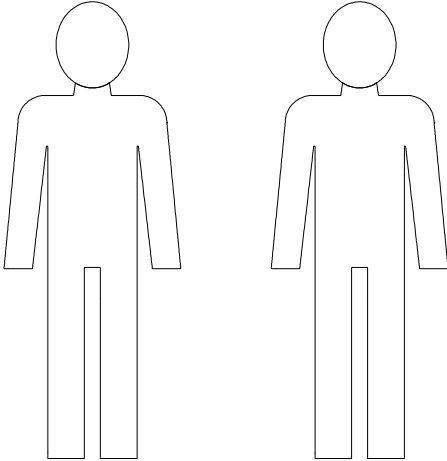
We hope you love your item. We would love to hear any feedback or comments. Visit us at [www.studiolondon.net](http://www.studiolondon.net) to comment or to find out more, and please follow us on Instagram at [studio\\_london\\_design](https://www.instagram.com/studio_london_design).

**Tools required**



**Time to assemble**  
20 mins

**People to assemble**



# Important safety information

## Warnings

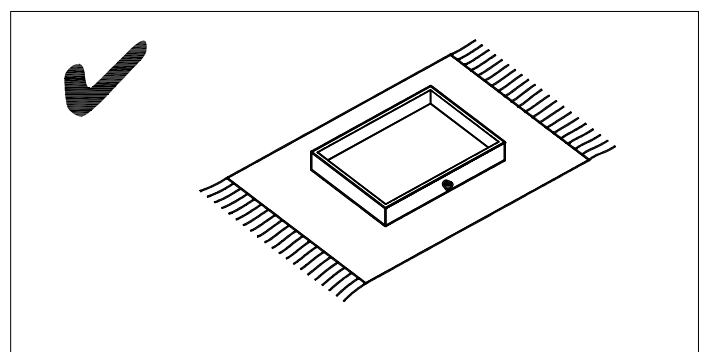
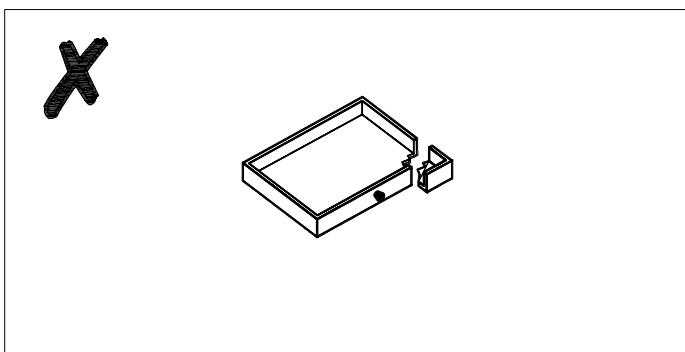
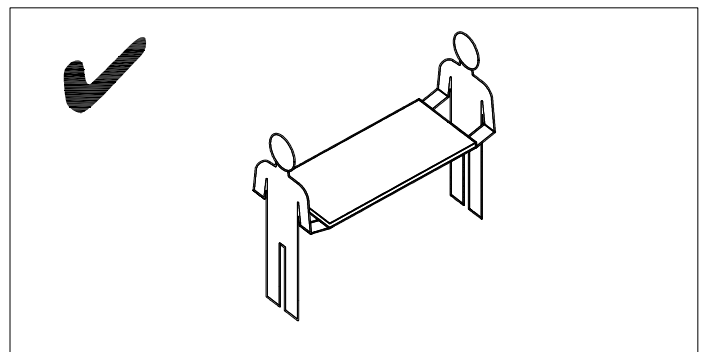
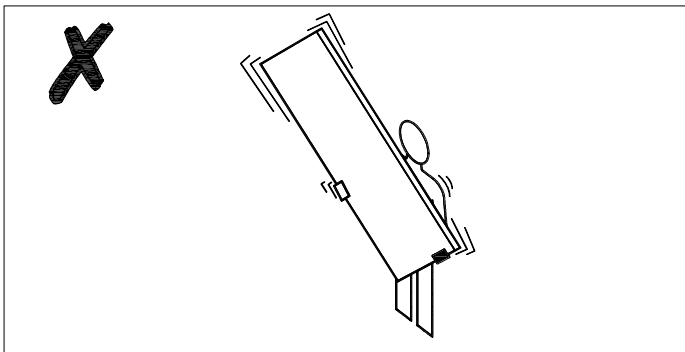
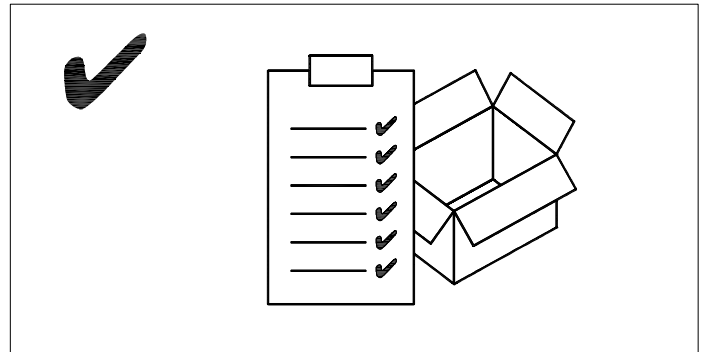
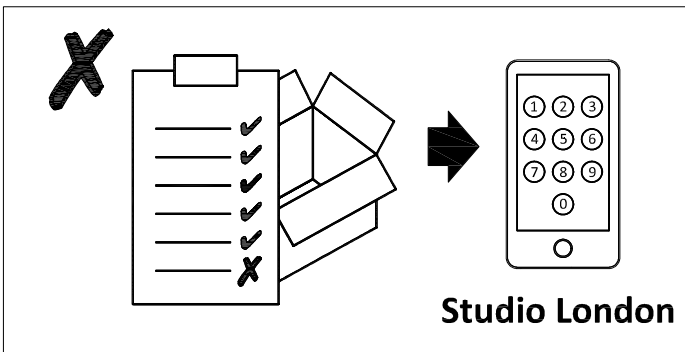
- ⚠ This product is not suitable for bedrooms.
- ⚠ The product should only be used on firm, level ground.
- ⚠ Keep small parts out of reach of children.
- ⚠ Ensure the product is fully assembled as illustrated before use.

## Do's

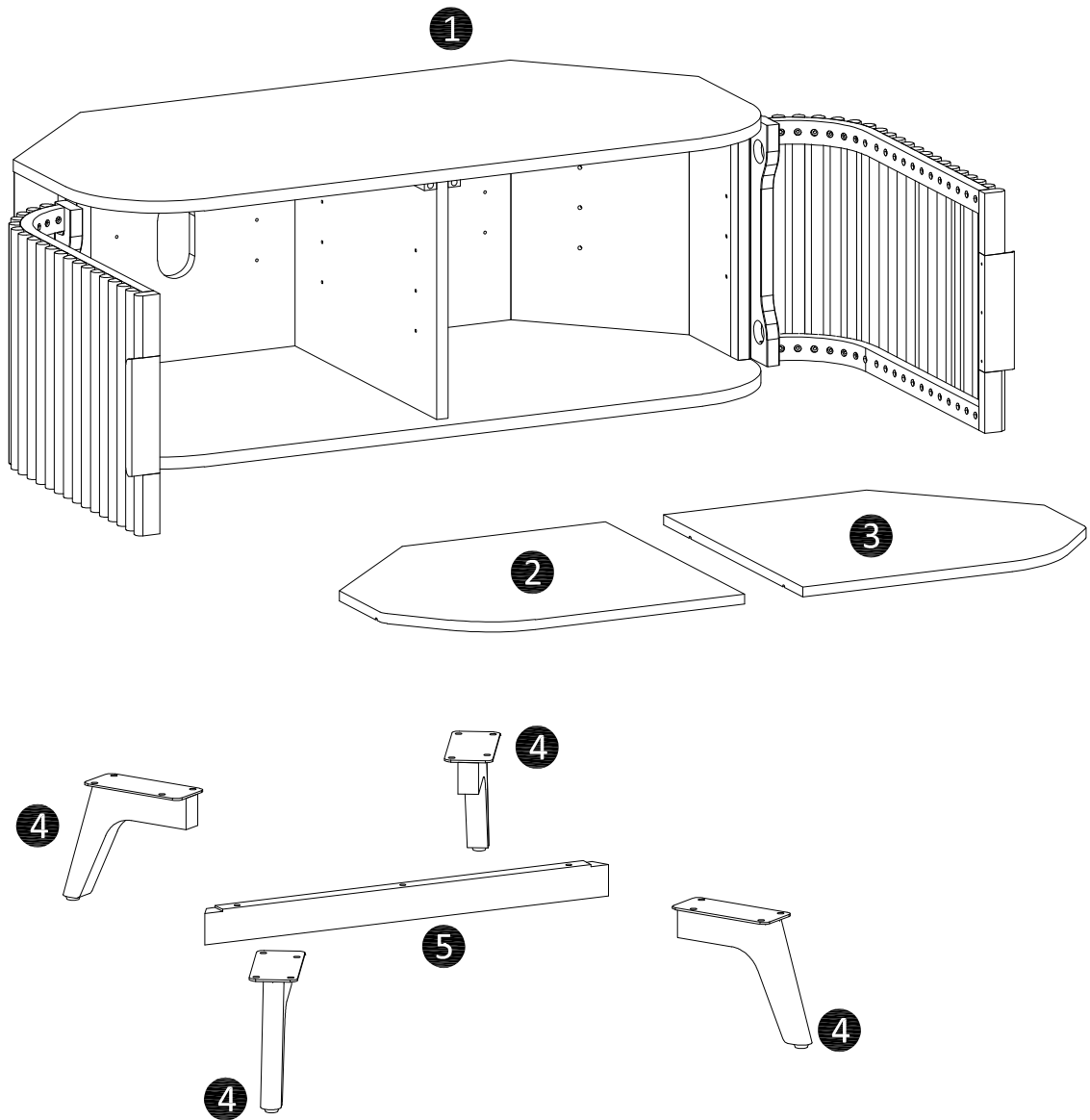
- ✓ Check the pack and make sure you have all the parts listed.
- ✓ Check all screws or bolts are tightened and inspect regularly.
- ✓ Make sure the legs remain in contact with the ground at all times.

## Don't

- ✗ Do not over tighten screws or bolts.
- ✗ Do not stand on the product.
- ✗ Do not use power tools to construct as overtightening and panel failure may occur.

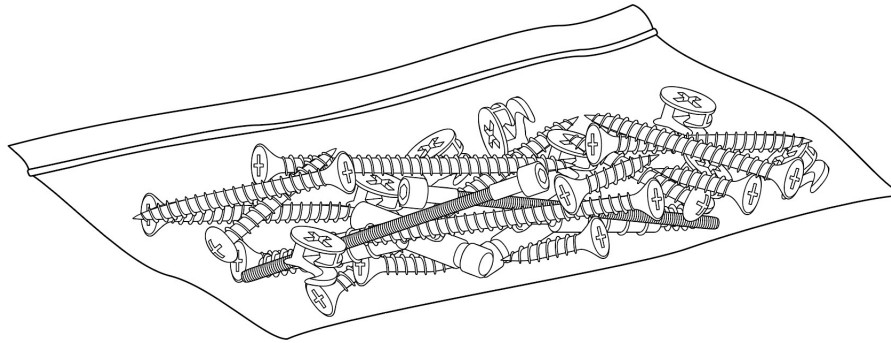


# Your Corner Media Unit

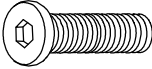
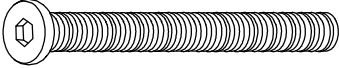




Ref	Description	Dimensions	Qty
①	Cabinet	43 1/4" x 20 5/8" x 15 3/4"	1
②	Shelf/left	20 1/2" x 18 1/8" x 5/8"	1
③	Shelf/right	20 1/2" x 18 1/8" x 5/8"	1
④	Leg	8 5/8" x 7 1/8" x 2 3/4"	4
⑤	Support bar	25 3/8" x 2" x 1"	1



# Fixtures and fittings



## Fixtures and fittings supplied (true to size)

Ref	Description	Dimensions	Qty	mm 0 10 20 30 40 50 60 70
<b>A</b>	Small allen bolt	M6 x 20mm	16	
<b>B</b>	Large allen bolt	M6 x 45mm	3	
<b>C</b>	Washer	Dia.18mm	16	
<b>D</b>	Lock washer	Dia.13mm	16	

## Fixtures and fittings supplied (not to scale)

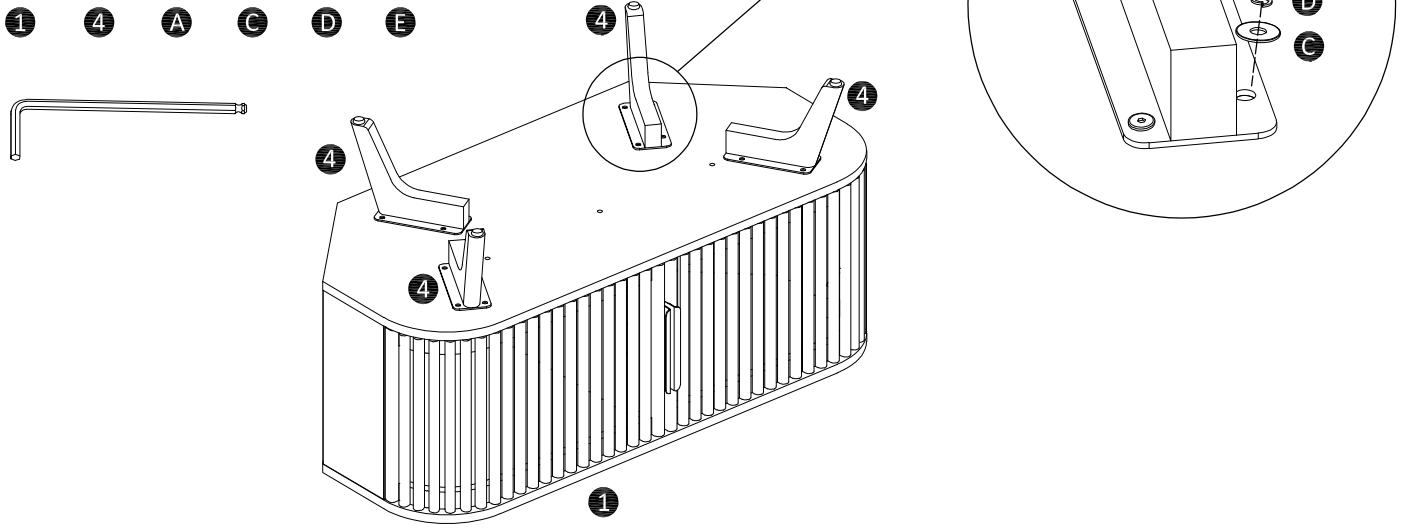
Ref	Description	Dimensions	Qty	
<b>E</b>	Allen key	#4	1	
<b>F</b>	Shelf supports		12	

# Product assembly

Sierra Corner Media Unit  
SLSIETVSAV01

## Step 1

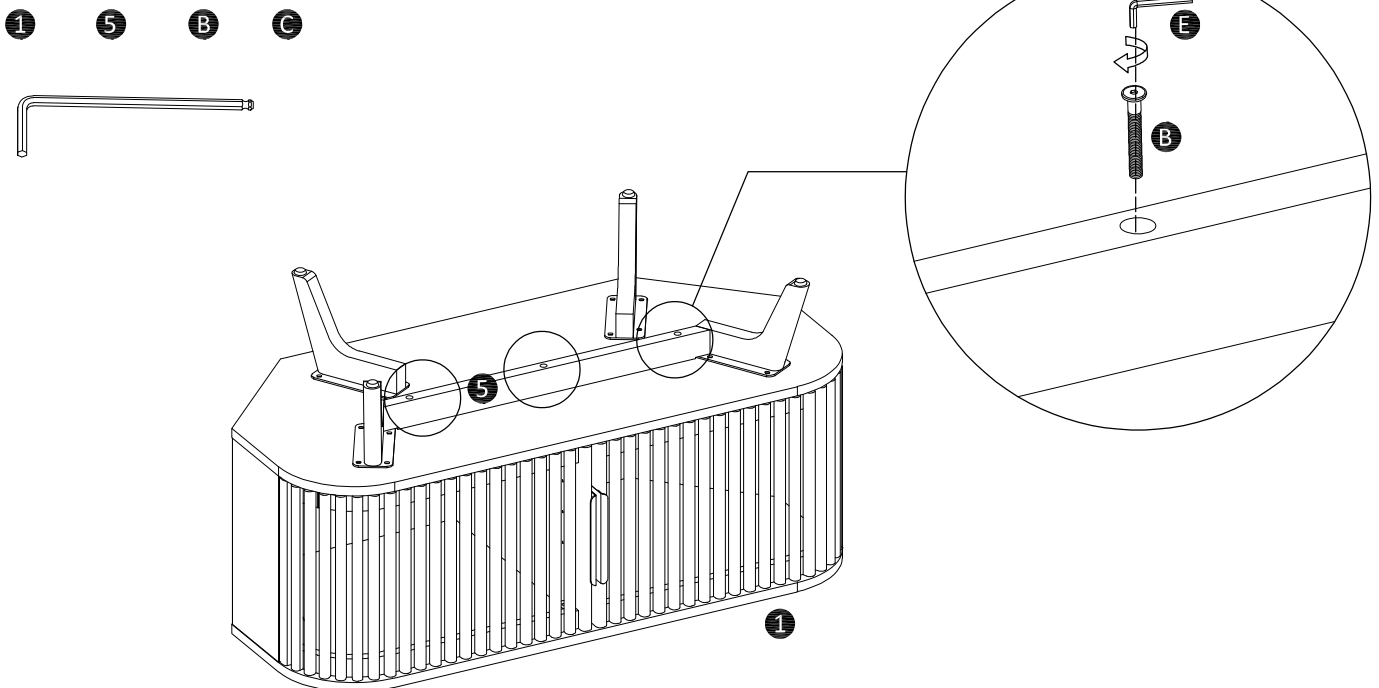
Parts, fittings and tools



Find clear area for assembly, near where you intend to use the media unit. Turn the cabinet (1) upside down on a soft surface. Locate and secure the legs (4) as shown above using the small allen bolts (x4 part A for each leg), washers (x4 part C for each leg) and lock washers (x4 part D for each leg) and tighten with allen key (E).

## Step 2

Parts, fittings and tools



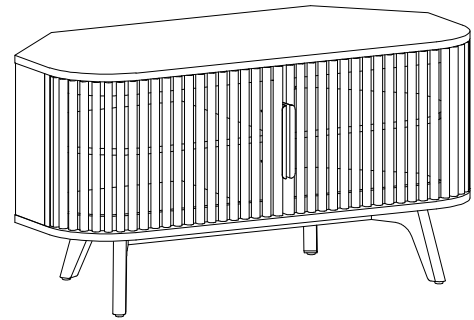
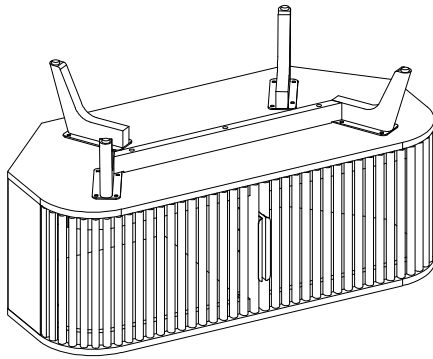
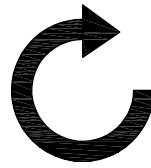
Locate and secure the support bar (5) using the bolts (x3 part B) tighten with the allen key (E).

# Product assembly

Sierra Corner Media Unit  
SLSIETVSAV01

## Step 3

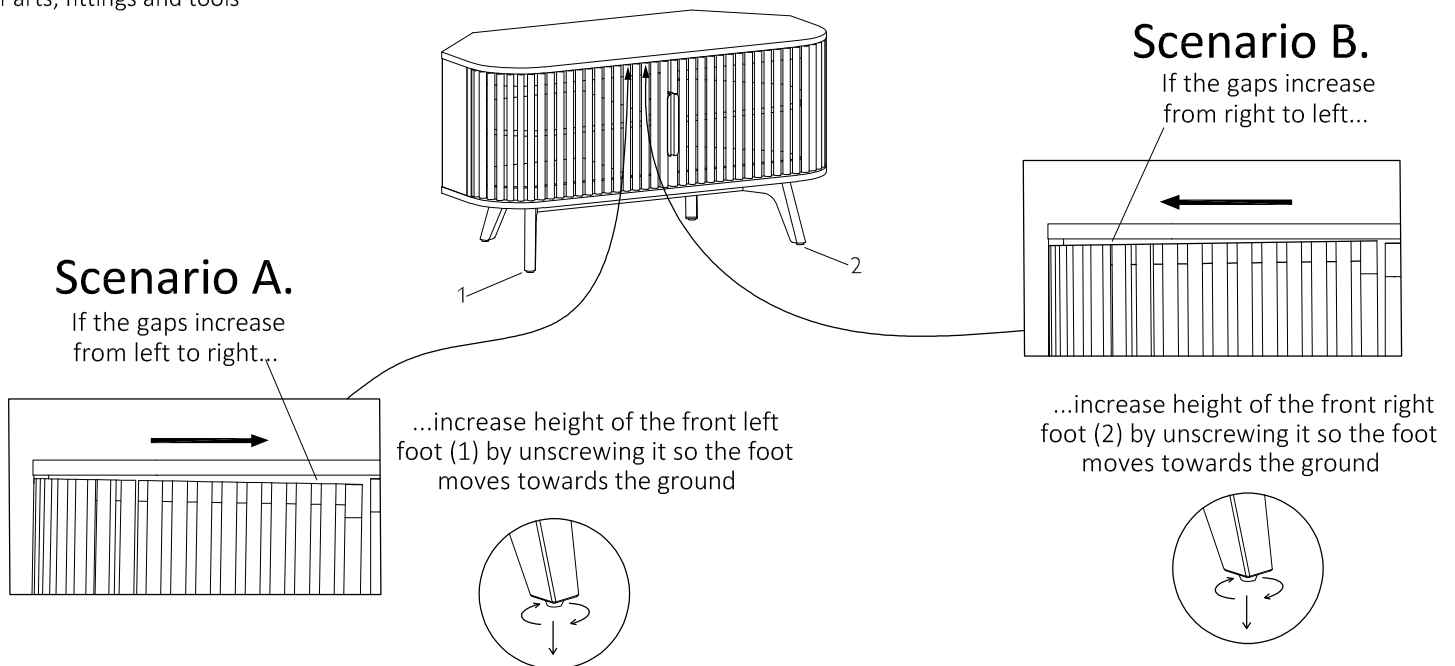
Parts, fittings and tools



With 2 people carefully place the media unit on its feet. Take care when lifting not to damage the legs.

## Step 4

Parts, fittings and tools



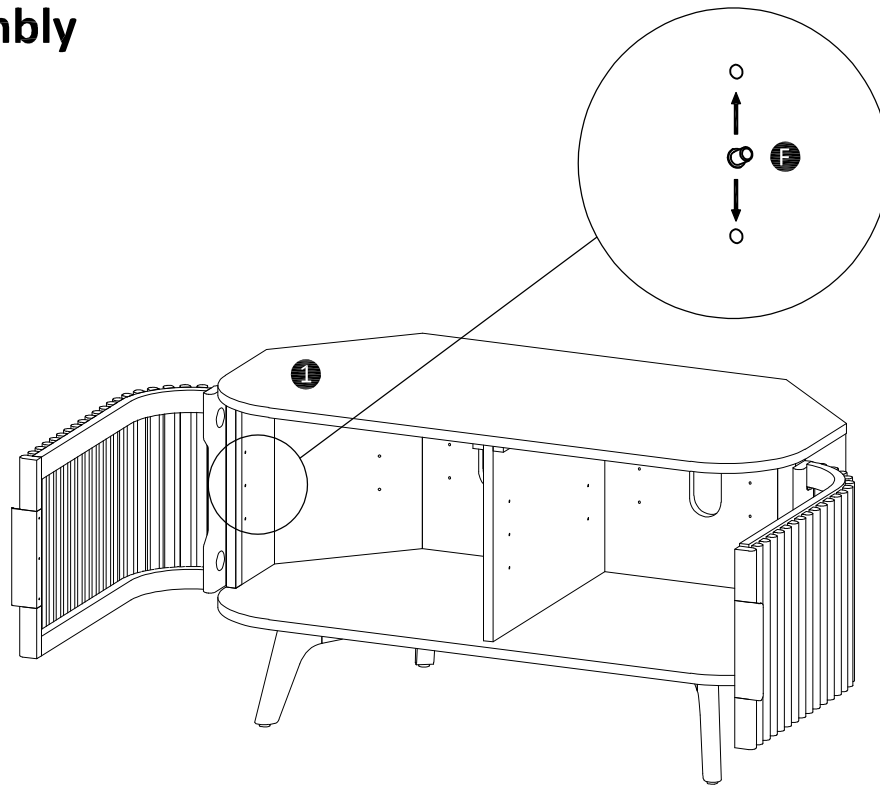
Move the cabinet into its location of intended use next to a wall. Turn the adjustable feet so the cabinet is level (you can use a spirit level to help here). Also check that the doors are level - the gap between the top edge of the doors and the frame above should ideally be consistent. If it is not, you can correct this by making slight adjustments to the feet by following the guide above.

# Product assembly

Sierra Corner Media Unit  
SLSIETVSAV01

## Step 5

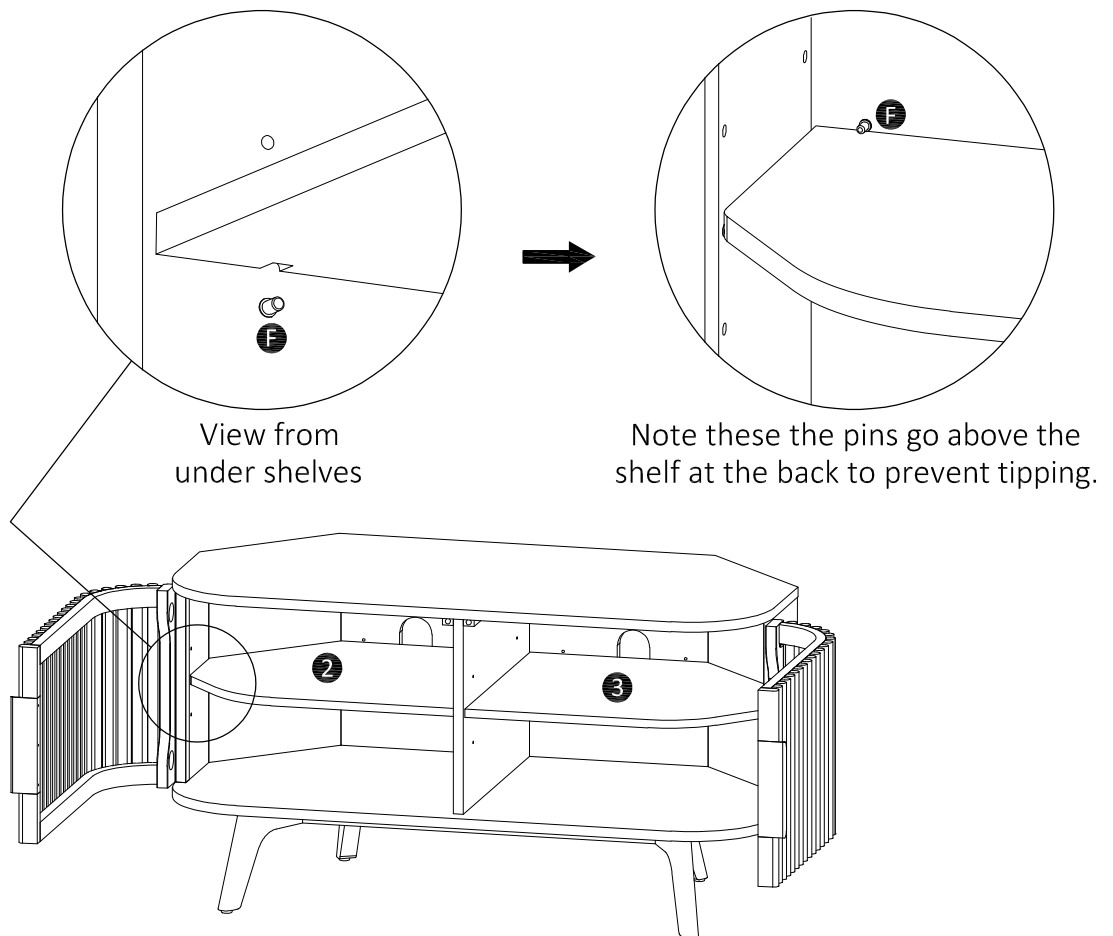
Parts, fittings and tools



Open the doors, choose the height you'd like the shelves to be at, and adjust the shelf height by unscrewing and repositioning the shelf pins up and/or down in the given holes.

## Step 6

Parts, fittings and tools

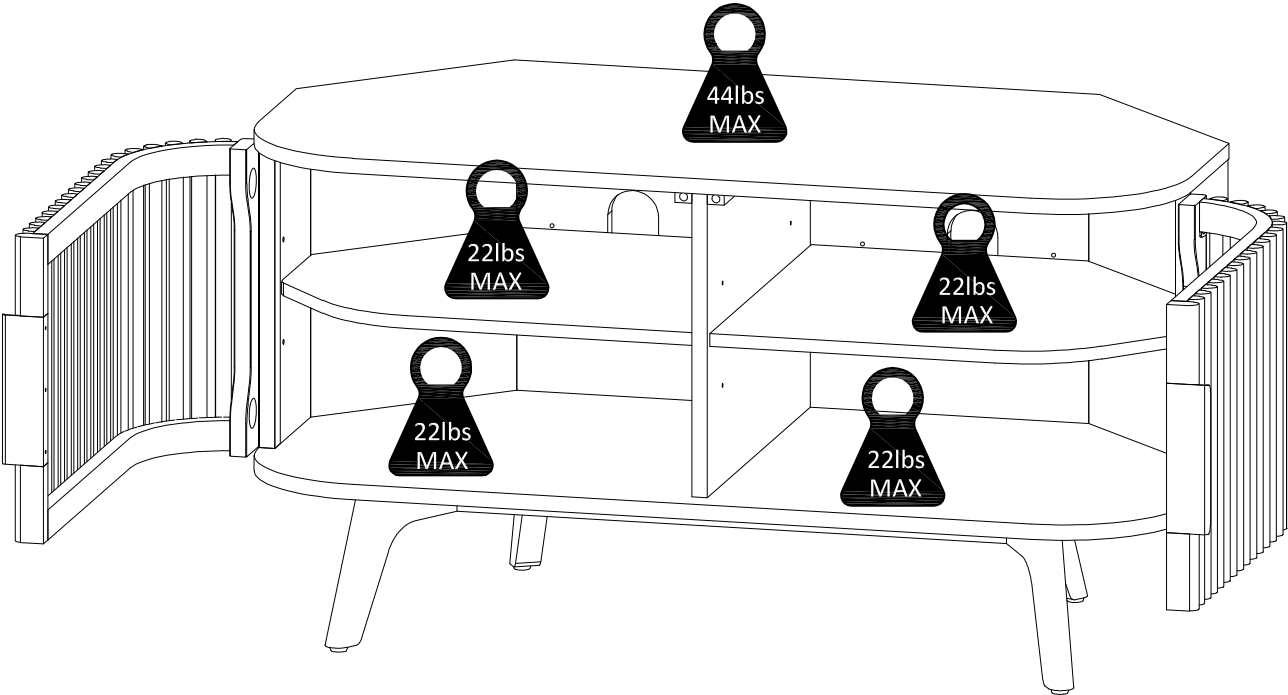


Locate the left and right shelves (2) and (3) at the desired height onto their supports (x4 part F for each shelf) as shown above.



# Product assembly

Sierra Corner Media Unit  
SLSIETVSAV01



## Care and maintenance

### Wood furniture

Wood displays displays different grain patterns depending on which way they are cut - for example, the 'medullary ray' which can appear on oak furniture is a mark of good quality timber - these are just characteristics of the natural beauty of the wood. Some furniture is also deliberately aged and rustic.

Wood veneers also allow a distinctive pattern to be created on some surfaces, such as tabletops and drawer fronts by the way slivers are arranged.

All timber and veneer surfaces will change colour and mellow over time. New furniture will initially vary in shade from items that have been previously purchased.

### How to care for your wood furniture

Furniture with a hard lacquer, wax polish or painted surface should be dusted with a dry cloth.

Waxed furniture will need to be given a coat of beeswax a couple of times a year to help maintain its lustre.

Spray polishes are best avoided as they contain silicones which may spoil the furniture's surface when building up over time.

Make sure all surfaces are protected from the heat and liquids by mats and coasters. Wipe up spills immediately and ensure that a mat or pad is placed under paper if you are writing.

Our furniture will endure most temperatures in the home, but it is best to avoid placing furniture next to heat sources such as radiators or fires. Be particularly careful with solid wood as the lack of humidity caused by home heating can cause damage such as warping.

### Caution

This wood has a painted surface that can scratch. Please avoid contact with hard, sharp objects. Avoid placing plant pots or vases without waterproof mats to prolong the life of the product.

**Please do not sit or lean on this product.**

**Maximum Load Capacity:** 44lbs for the top surface, 22lbs for each shelf.

Retain these instructions for future reference.

**Your feedback is very important to us and we would love to hear your comments on you new furniture. Please visit our website to leave a review. Thank you.**