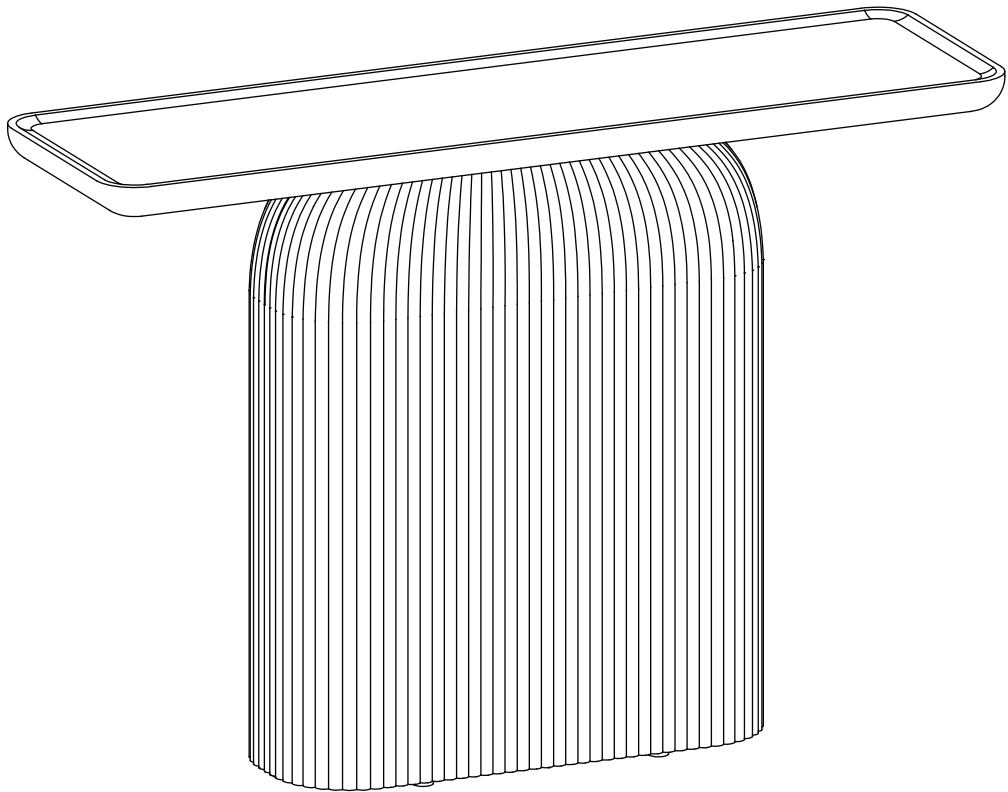


**Studio  
London.**

**Capri Table**

Stock number: SLCAPTBGFR01



47.2" W x 13.7" D x 32" H

Thank you for purchasing the Capri Table from Studio London. Please read the instructions and warnings carefully before use, to ensure safe and satisfactory operation of this product.

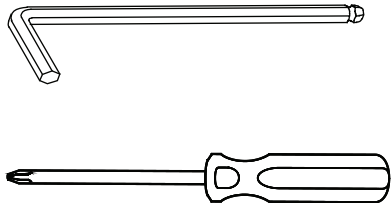
At Studio London, we are trying to make products you will love for years to come without it costing the earth. From our in-house Design Team, to our Buyers, we work together to bring great design to life at fair prices. Our expert Product Technologists work collaboratively with our buyers and suppliers to ensure the legality, safety, sustainability and quality of the product we sell.

We are all committed to designing and developing products to the highest industry standards and in the most sustainable, responsible manner.

We hope you love your new product as much as we do and welcome any feedback or comments you may have.

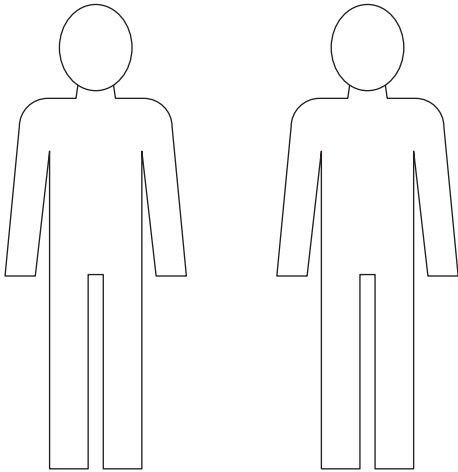
The Studio London Team

**Tools required**



**Time to assemble**  
30 mins

**People to assemble**



# Important safety information

## Warnings

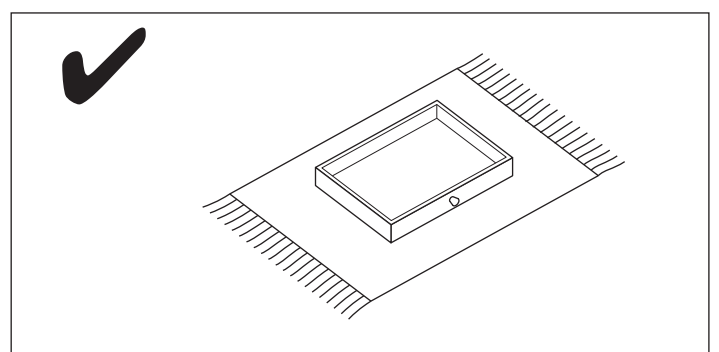
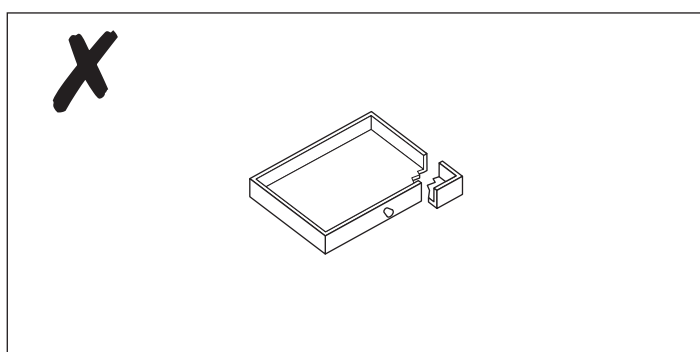
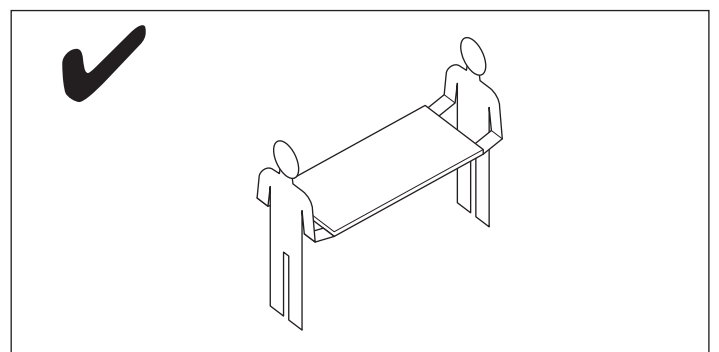
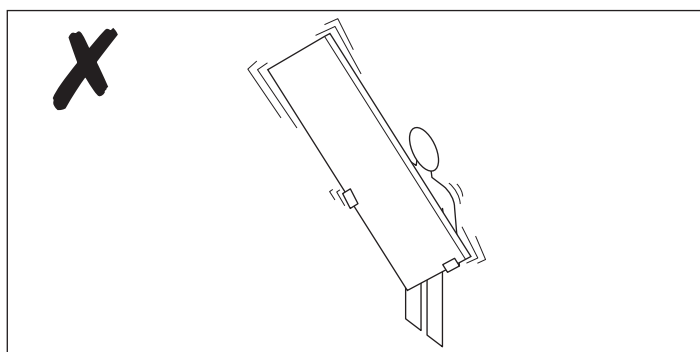
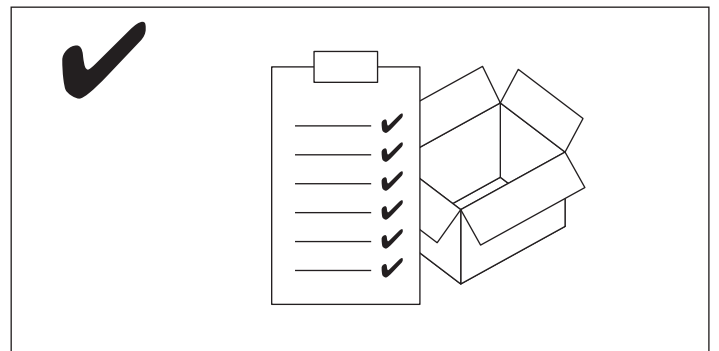
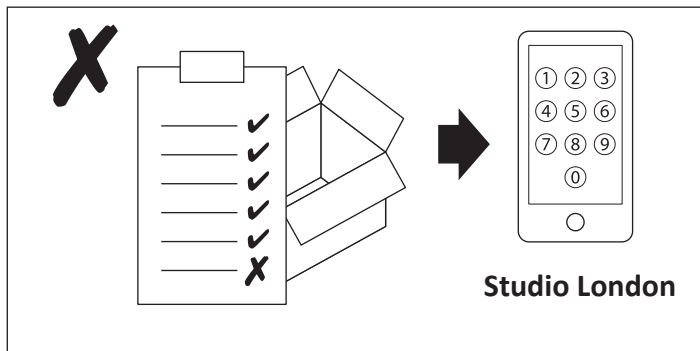
- ⚠ **This product is not suitable for bedrooms.**
- ⚠ The product should only be used on firm, level ground.
- ⚠ Keep small parts out of reach of children.
- ⚠ Ensure the product is fully assembled as illustrated before use.

## Do's

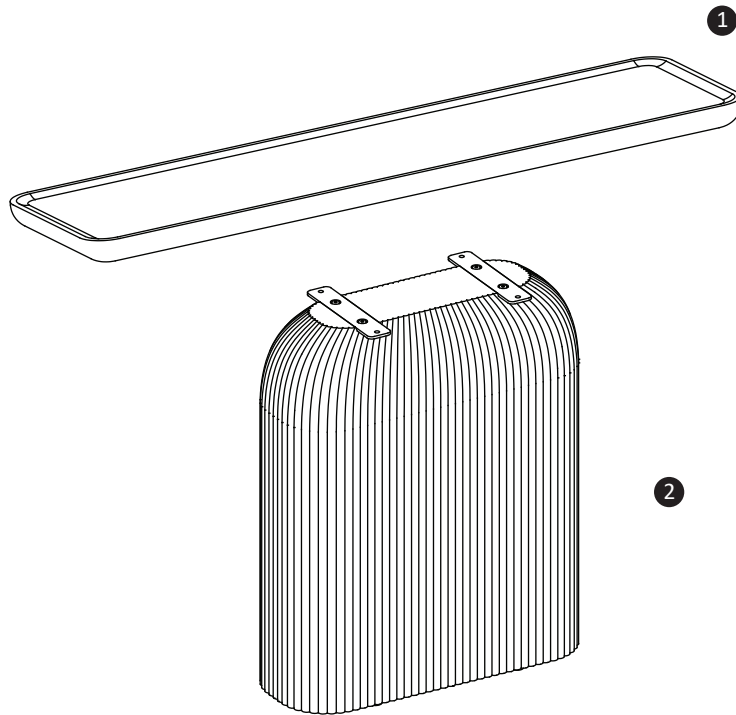
- ✓ Check the pack and make sure you have all the parts listed.
- ✓ Check all screws or bolts are tightened and inspect regularly.
- ✓ Make sure the legs remain in contact with the ground at all times.

## Don't

- ✗ Do not over tighten screws or bolts.
- ✗ Do not stand on the product.
- ✗ Do not use power tools to construct as overtightening and panel failure may occur.

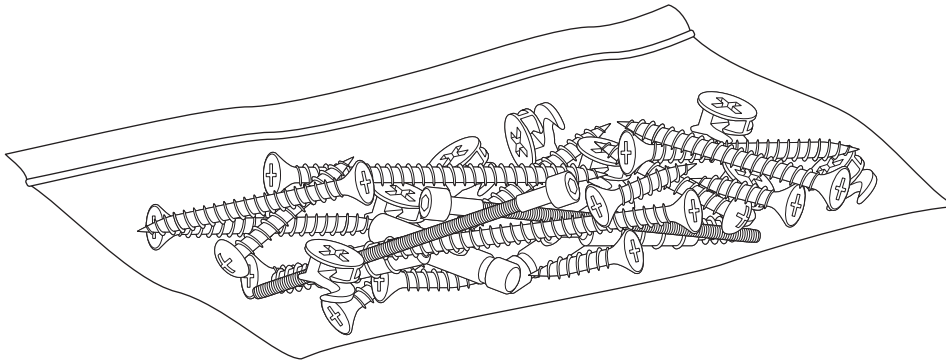


# Your Table

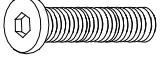
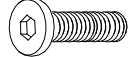


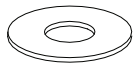


Ref	Description	Dimensions	Qty
①	Table top	47.2" x 13.7" x 1.8"	1
②	Base	25" x 9.5" x 30"	1


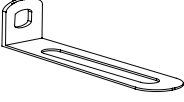
# Fixtures and fittings



## Fixtures and fittings supplied (actual size)

Ref	Description	Dimensions	Qty	mm
				0 10 20 30 40 50 60 70
<b>A</b>	Large allen bolt	M8 x 25mm	4	
<b>B</b>	Small allen bolt	M6 x 15mm	2	
<b>C</b>	Spring washer	Dia.13mm	4	
<b>D</b>	Flat washer	Dia.22mm	4	
<b>E</b>	Flat washer	Dia.18mm	2	

## Fixtures and fittings supplied (not actual size)

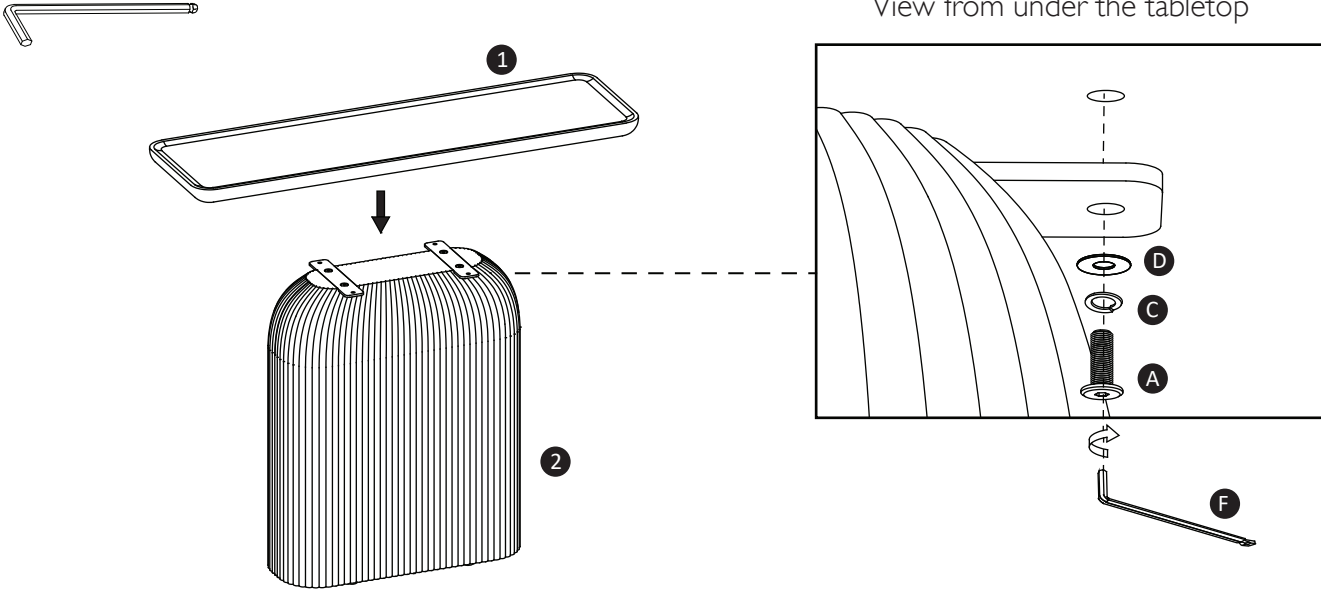
Ref	Description	Dimensions	Qty	
<b>F</b>	Allen key	#4	1	
<b>G</b>	Wall bracket		2	

# Product assembly

Capri Table  
SLCAPTBGFR01

## Step 1

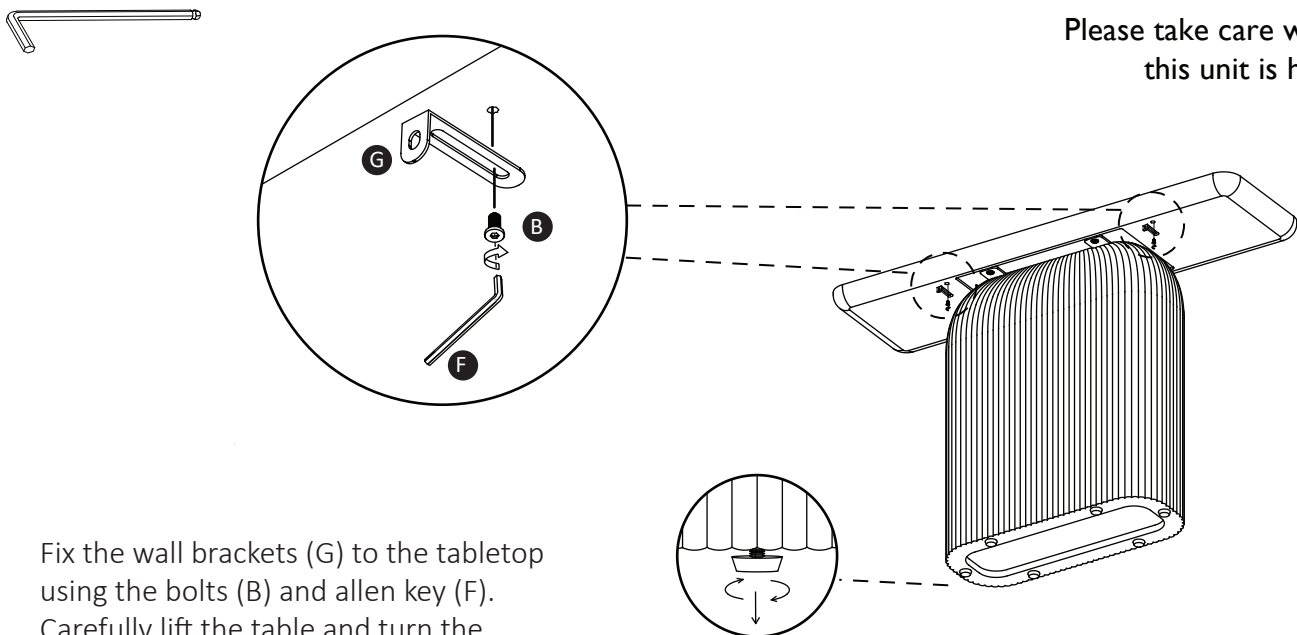
1 2 A C D F



Find a clear area for assembly, near where you intend to use the table. Position the tabletop (1) onto the base (2), aligning the holes as shown above. Secure the base to the tabletop using the large allen bolts (A), spring washer (C) and flat washers (D). Tighten with the supplied allen key (F).

## Step 2

B F G



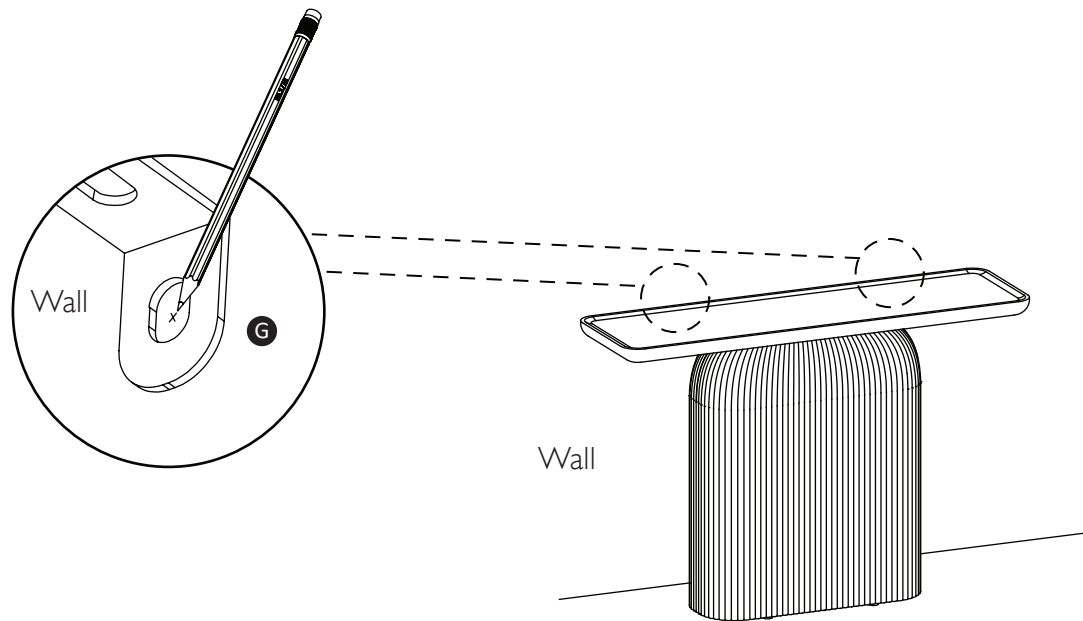
Fix the wall brackets (G) to the tabletop using the bolts (B) and allen key (F). Carefully lift the table and turn the adjustable feet on the base to level the product.

## Product assembly

Capri Table  
SLCAPTBGFR01

### Step 3

G



Move the table into its location of intended use next to a wall. The wall bracket (G) may also require some adjustment to fit correctly depending on any obstructions behind the table such as skirting boards, picture rails, etc.

With a pencil accurately mark the position of the screw holes onto the wall. Now carefully move the table away from the wall to create space for drilling.

# Product assembly

Capri Table  
SLCAPTBGFR01

Wall attached item only:

## A guide to wall mounting and fixings



### A guide to wall mounting and fixings

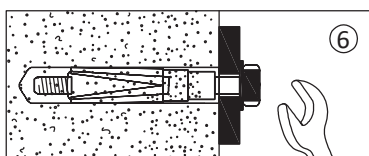
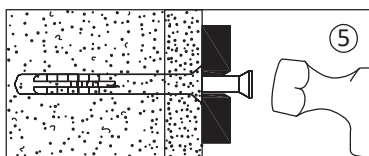
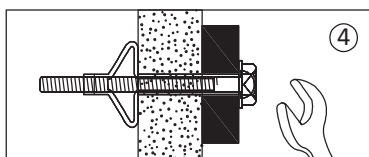
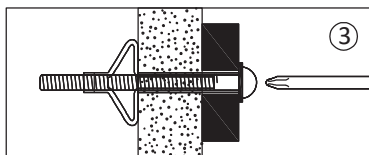
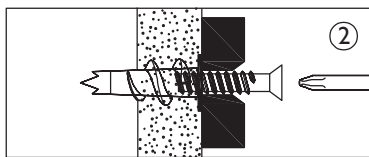
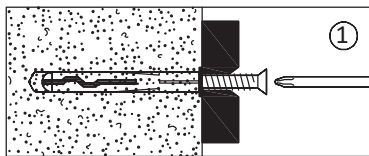
Serious or fatal crushing injuries can occur from furniture tipping over.

To prevent this furniture from tipping over it must be permanently fixed to the wall.

Wall fixing screws are not included, since different wall materials require different types of screws / fixings. Please ensure you use the correct screws / fixings for your type of walls and seek professional advice if you are not sure.

Failure of the product due to incorrect fixings is the responsibility of the installer.

**Important:** When drilling into the walls always check that there are no hidden wires or pipes etc.



### Types of walls

You can use one of the following types of wall plug if your walls are made of brick, breezeblock, concrete, stone or wood.

#### 1. General purpose wall plug

Generally aerated blocks should not be used to support heavy loads, use a specialist fitting in this case. For light loads, general - purpose wall plugs can be used.

#### 2. Plasterboard wall plug

For use when attaching light loads onto plasterboard partitions.

#### 3. Cavity fixing wall plug

For use with plasterboard partitions or hollow wooden doors.

#### 4. Cavity fixing - heavy duty wall plug

For use when fitting or supporting heavy loads such as shelving, wall cabinets and coat racks.

#### 5. Hammer fixing wall plug

For use with walls stuck with plasterboard. The hammer fixing allows it to be fixed to the wall rather than the plasterboard. Always check the fixing is secure to the retaining wall.

#### 6. Shield anchor wall plug - heavy loads

For use with heavier loads such as TV and Hi-Fi speakers and satellite dishes etc.



### Care and maintenance

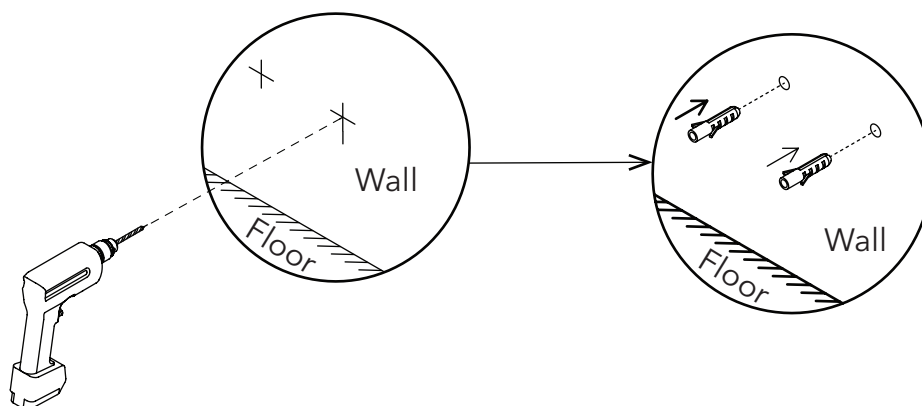
Safety: Periodically check all fittings and wall fixings to ensure they have not come loose and retighten as necessary.



# Product assembly

Capri Table  
SLCAPTBGFR01

## Step 4



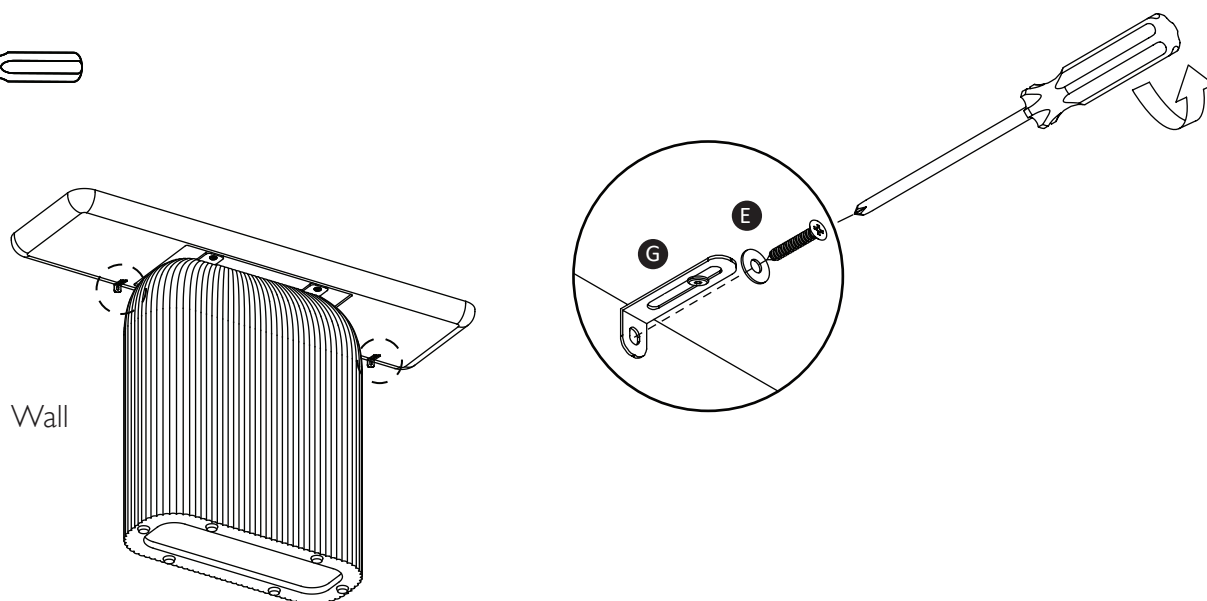
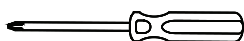
Before drilling, ensure the size of holes will be correct to fit the rawl plug (not included).

Warning: Ensure the area to be drilled is free from hidden electrical wires, water and gas pipes.

Drill the hole according to the marked position. Push the rawl plug (not included) into position as shown above.

## Step 5

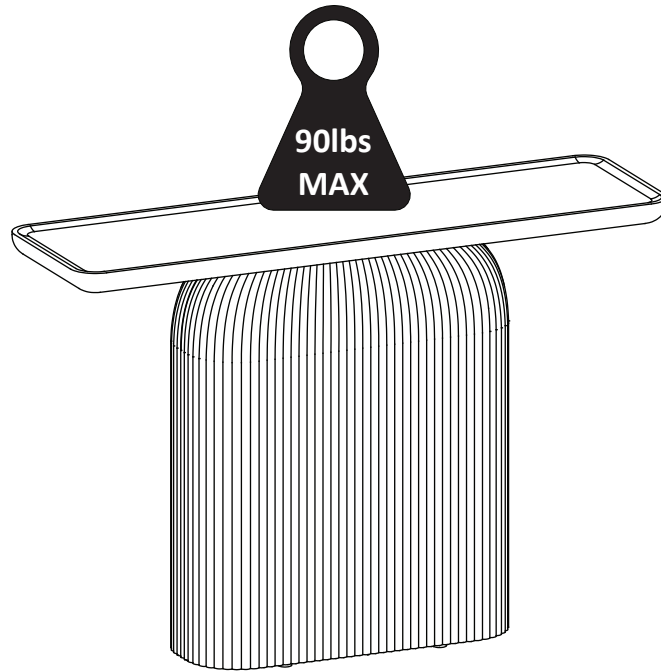
**E** **G**



Secure the wall brackets (G) to the wall using the washers (E) and screws (not included). Tighten with the screwdriver.

# Product assembly

Capri Table  
SLCAPTBGFR01



## Care and Maintenance

### Travertine effect concrete furniture

- The table will display a different pattern that is part of the nature of the finish of the product.

### How to care for your Travertine effect concrete furniture

- Avoid placing hot items directly on the concrete top. Please use mats and coasters. Concrete is heat resistant, but excessive heat can damage or discolor the sealer.
- Any spills should be cleaned up immediately with a dry cloth or tissue until the surface is dry. A mild soap and warm water are recommended for daily cleaning.
- Avoid abrasive soaps or cleansers.
- It is advisable to protect the surface of the furniture when writing, drawing etc. to prevent possible damage.
- Do not cut directly on concrete top to avoid damaging the sealer.
- For added protection, we recommend the occasional application of a high-quality transparent furniture wax to the surface of the concrete top.
- We recommend protecting the table with a waterproof cover when not in use, to enhance the longevity of the table top.
- Wax regularly, once within 2 months of receiving your item and then every 3-6 months to maintain product long life.
- Hairline cracks can occur with concrete, if one appears, apply a thick layer of wax and rub in thoroughly to prevent moisture seeping in.
- Do not place this table near heating or cooling ventilations (A/C, heaters...).
- This item is tested and suitable for outdoor use as well. To improve the longevity of the product we recommend to display it under a roof. We recommend storing the product during extreme weather conditions.

### Safety instructions

- To prevent unnecessary pressure on the connection pieces of the furniture, place the furniture on an even surface.
- Never drag furniture when moving it, always lift it.
- Please take care when handling or moving the furniture, careless handling may cause damage or injury.
- Furniture can be dangerous if incorrectly installed. Assembly should be carried out by a competent person. No liability will be accepted for damage or injury caused by incorrectly installed or assembled furniture.