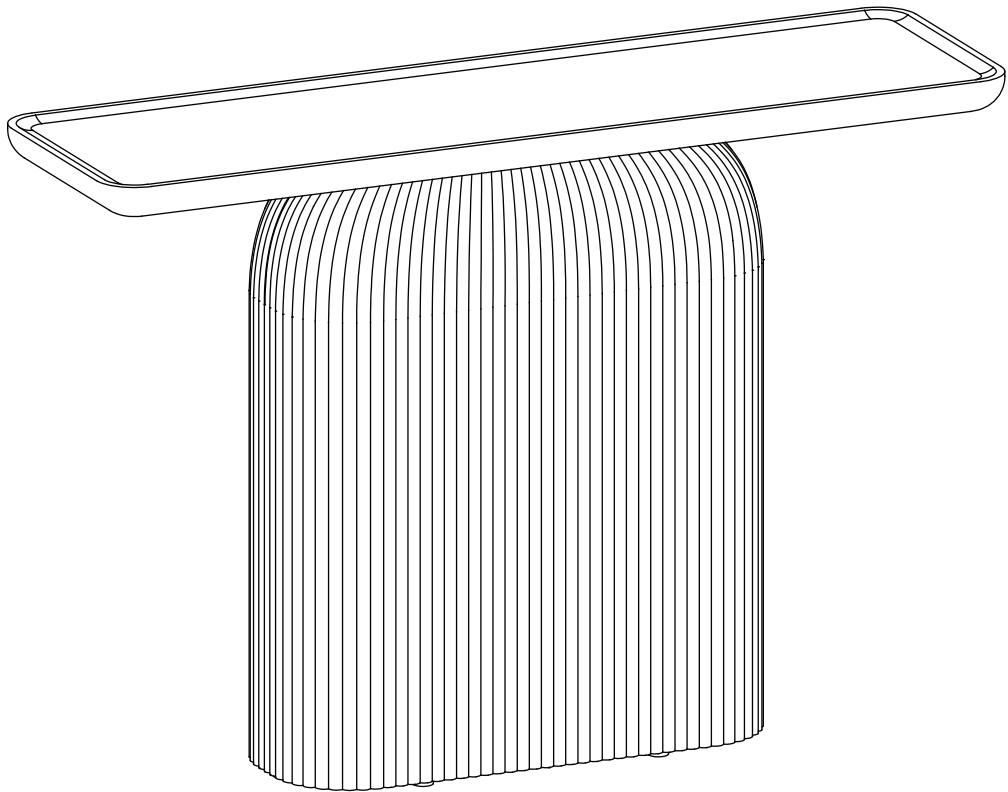


**Studio
London.**

Capri Table
Assembly instructions



47.2" W x 13.7" D x 32" H

Congratulations on your purchase from Studio London!

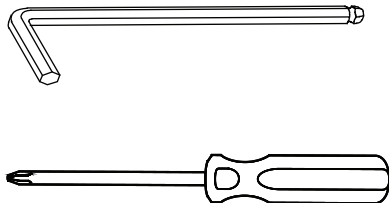
In buying one of our quality products, you now own an item we sincerely hope you will love for years to come, without it costing the earth.

Responsibility is one of our core brand values. For every item sold, a tree is planted. Additionally, we invest in carbon reducing schemes, ensure all our materials are sustainably and responsibly sourced, and audit our suppliers to ensure they are safe, supportive, and ethically sound.

We hope you love your item. We would love to hear any feedback or comments.

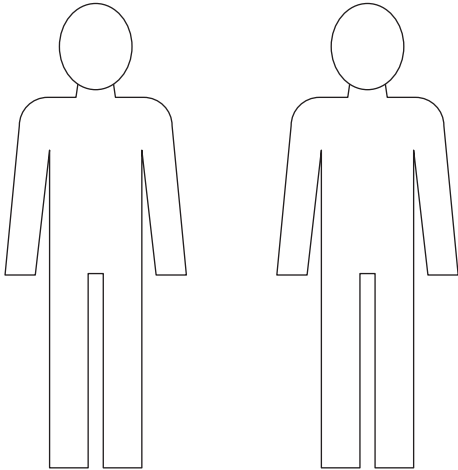
Visit us at www.studiolondon.net to comment or to find out more, and please follow us on Instagram at [studio_london_design](https://www.instagram.com/studio_london_design).

Tools required



Time to assemble
30 mins

People to assemble



Important safety information

Warnings

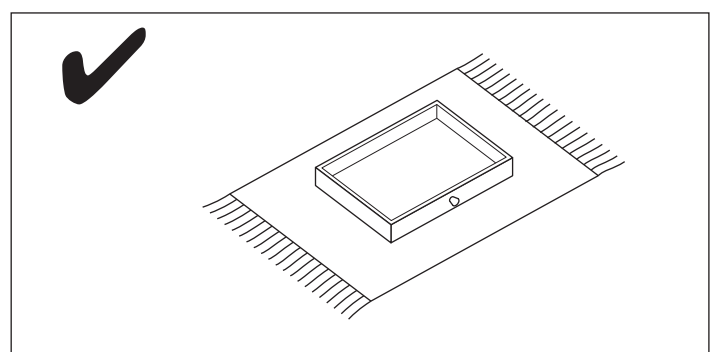
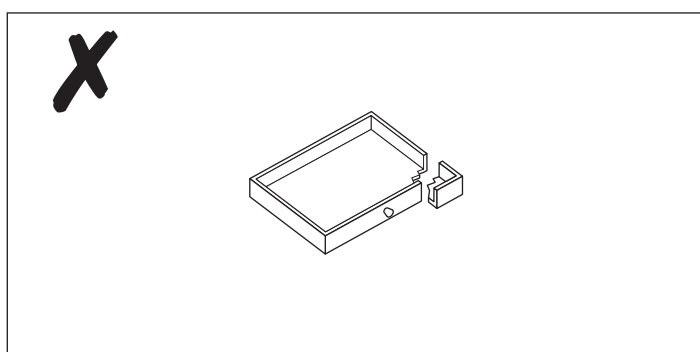
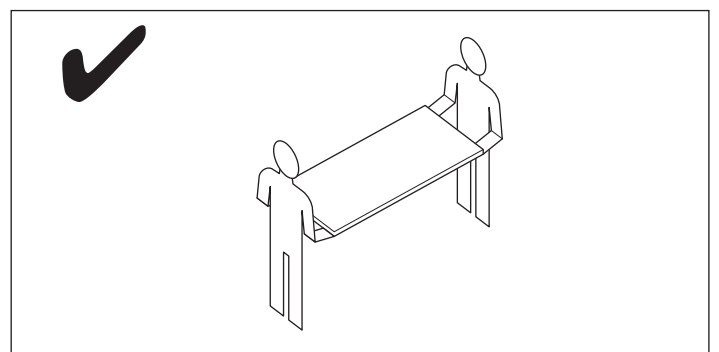
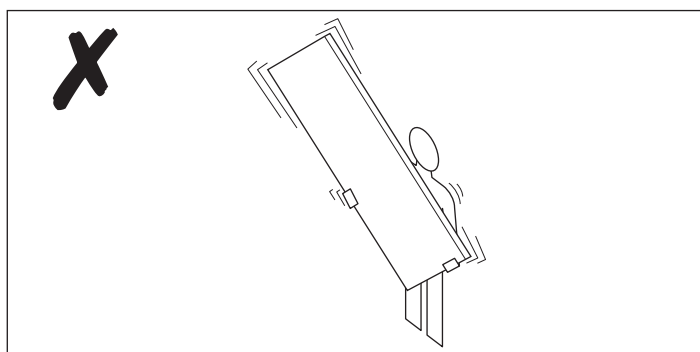
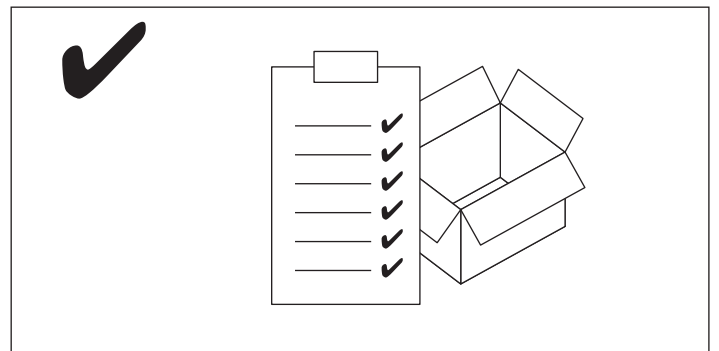
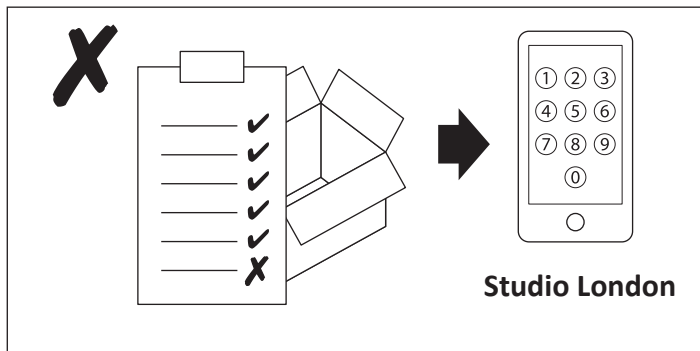
- ⚠ **This product is not suitable for bedrooms.**
- ⚠ The product should only be used on firm, level ground.
- ⚠ Keep small parts out of reach of children.
- ⚠ Ensure the product is fully assembled as illustrated before use.

Do's

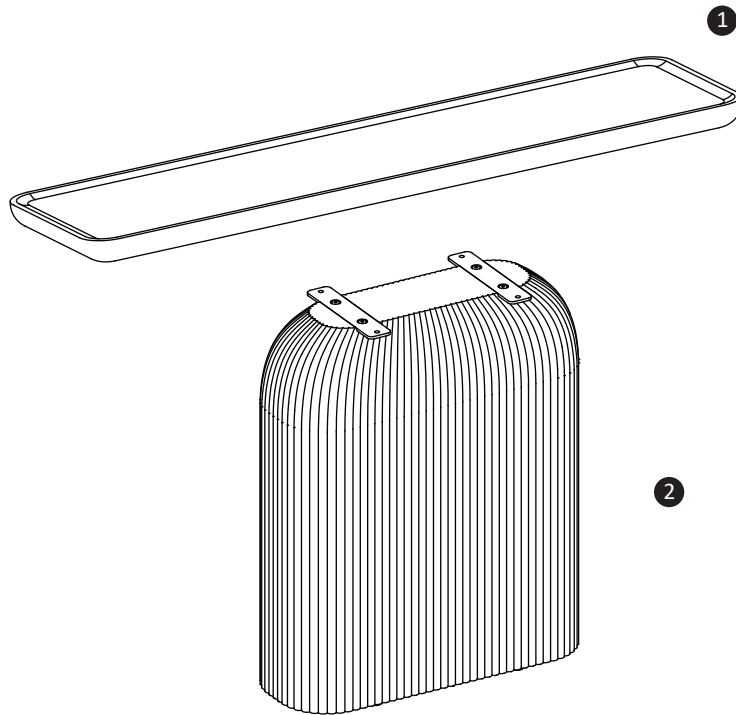
- ✓ Check the pack and make sure you have all the parts listed.
- ✓ Check all screws or bolts are tightened and inspect regularly.
- ✓ Make sure the legs remain in contact with the ground at all times.

Don't

- ✗ Do not over tighten screws or bolts.
- ✗ Do not stand on the product.
- ✗ Do not use power tools to construct as overtightening and panel failure may occur.

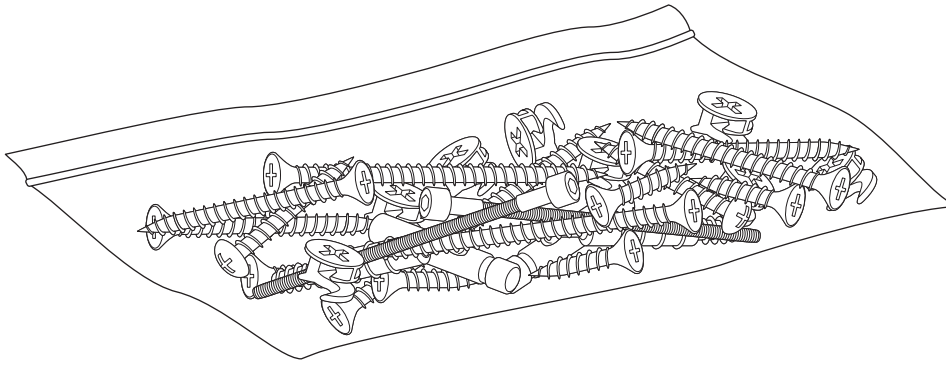


Your Table



Ref	Description	Dimensions	Qty
①	Table top	47.2" x 13.7" x 1.8"	1
②	Base	25" x 9.5" x 30"	1

Fixtures and fittings



Fixtures and fittings supplied (actual size)

Ref	Description	Dimensions	Qty	mm
A	Large allen bolt	M8 x 25mm	4	
B	Small allen bolt	M6 x 15mm	2	
C	Spring washer	Dia.13mm	4	
D	Flat washer	Dia.22mm	4	
E	Flat washer	Dia.18mm	2	

Fixtures and fittings supplied (not actual size)

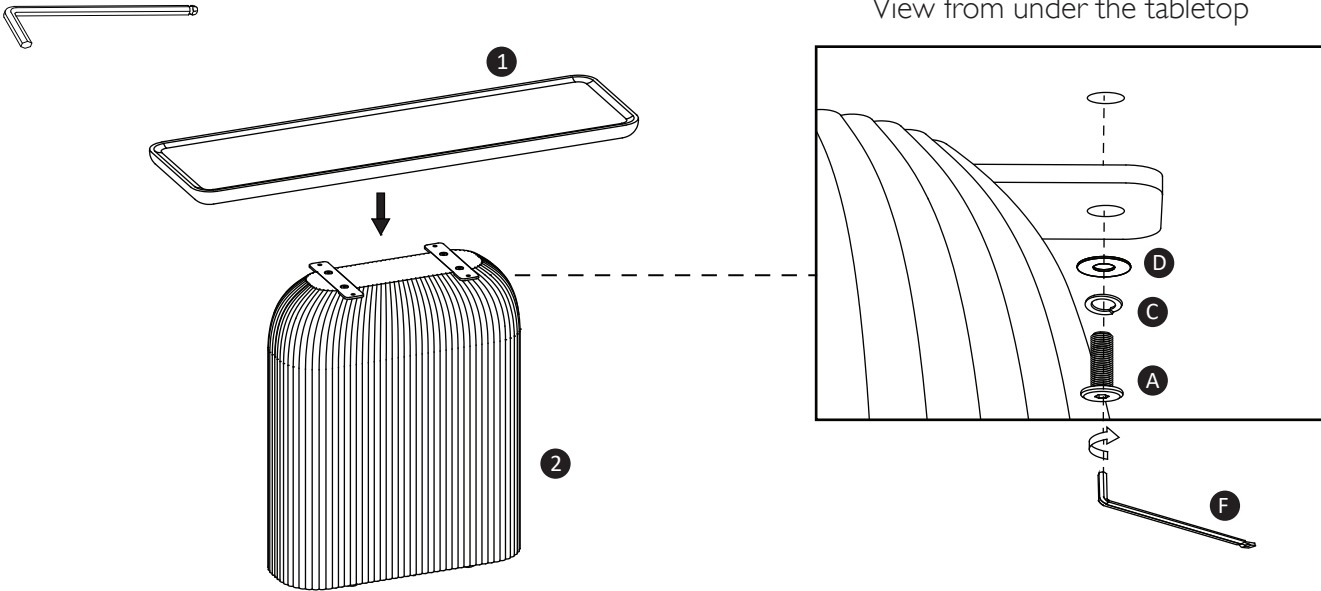
Ref	Description	Dimensions	Qty	
F	Allen key	#4	1	
G	Wall bracket		2	

Product assembly

Capri Table

Step 1

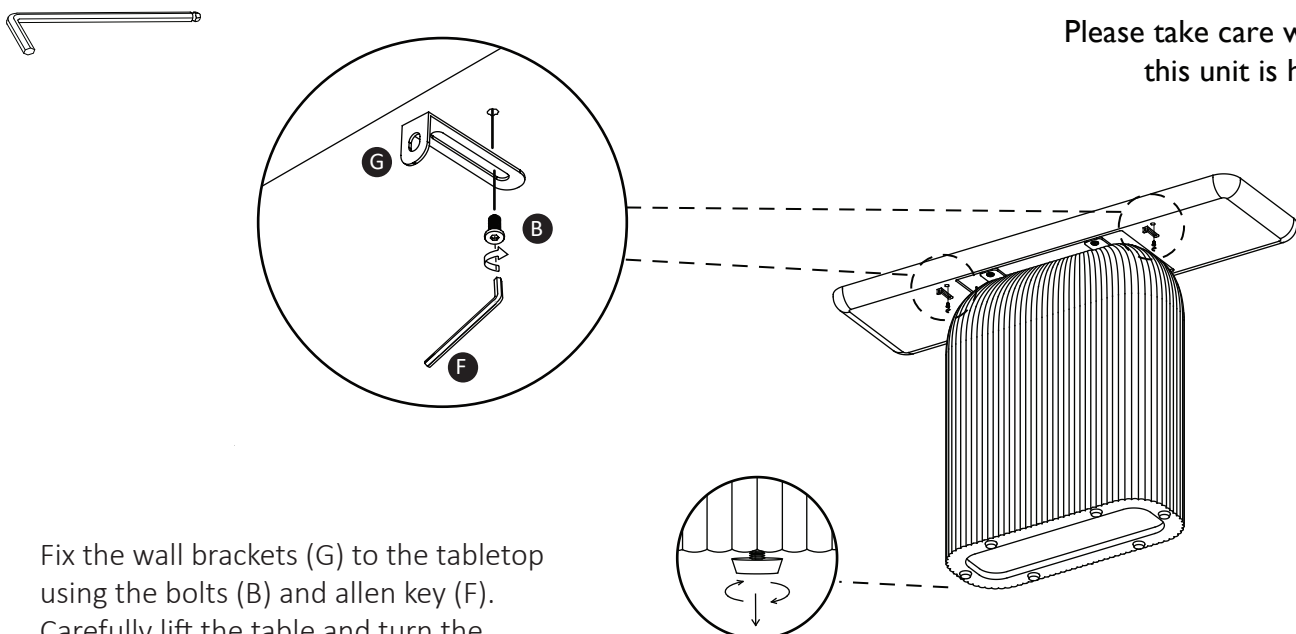
1 2 A C D F



Find a clear area for assembly, near where you intend to use the table. Position the tabletop (1) onto the base (2), aligning the holes as shown above. Secure the base to the tabletop using the large allen bolts (A), spring washer (C) and flat washers (D). Tighten with the supplied allen key (F).

Step 2

B F G



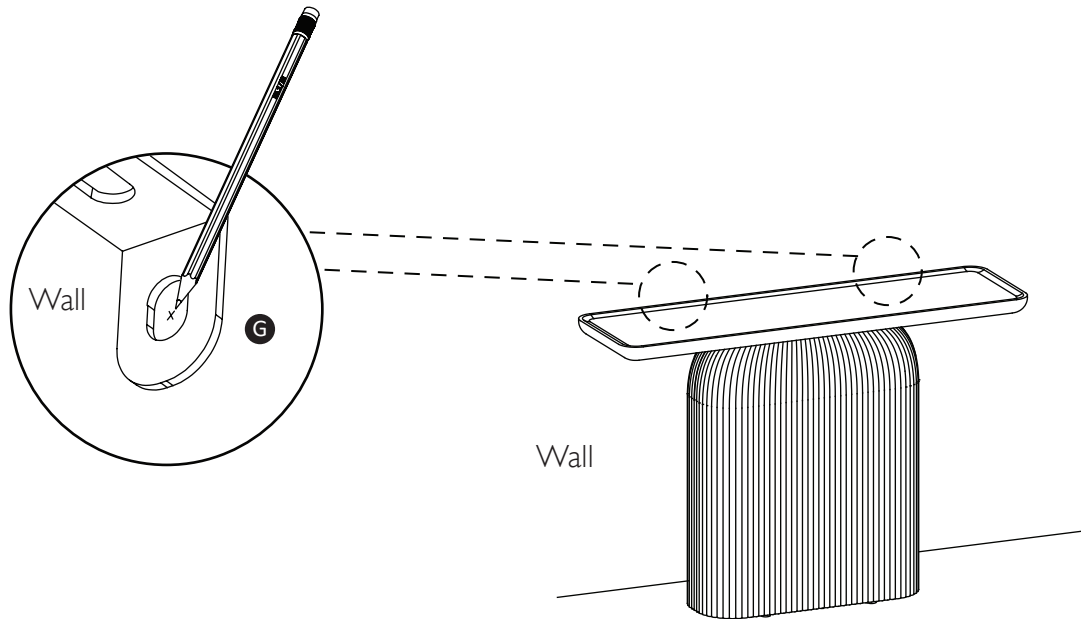
Fix the wall brackets (G) to the tabletop using the bolts (B) and allen key (F). Carefully lift the table and turn the adjustable feet on the base to level the product.

Product assembly

Capri Table

Step 3

G



Move the table into its location of intended use next to a wall. The wall bracket (G) may also require some adjustment to fit correctly depending on any obstructions behind the table such as skirting boards, picture rails, etc.

With a pencil accurately mark the position of the screw holes onto the wall. Now carefully move the table away from the wall to create space for drilling.

Product assembly

Capri Table

Wall attached item only:

A guide to wall mounting and fixings



A guide to wall mounting and fixings

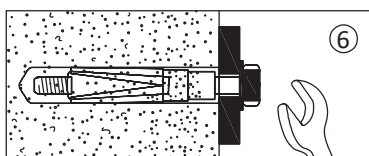
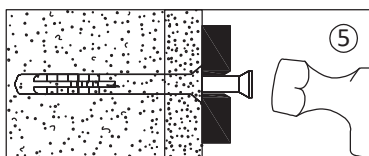
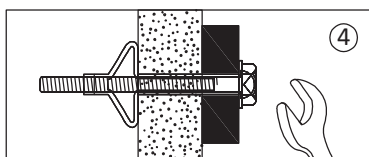
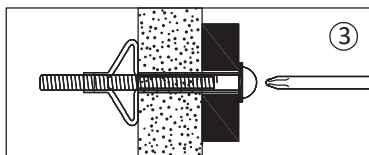
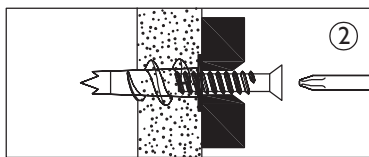
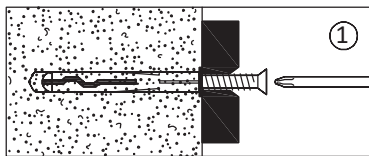
Serious or fatal crushing injuries can occur from furniture tipping over.

To prevent this furniture from tipping over it must be permanently fixed to the wall.

Wall fixing screws are not included, since different wall materials require different types of screws / fixings. Please ensure you use the correct screws / fixings for your type of walls and seek professional advice if you are not sure.

Failure of the product due to incorrect fixings is the responsibility of the installer.

Important: When drilling into the walls always check that there are no hidden wires or pipes etc.



Types of walls

You can use one of the following types of wall plug if your walls are made of brick, breezeblock, concrete, stone or wood.

1. General purpose wall plug

Generally aerated blocks should not be used to support heavy loads, use a specialist fitting in this case. For light loads, general - purpose wall plugs can be used.

2. Plasterboard wall plug

For use when attaching light loads onto plasterboard partitions.

3. Cavity fixing wall plug

For use with plasterboard partitions or hollow wooden doors.

4. Cavity fixing - heavy duty wall plug

For use when fitting or supporting heavy loads such as shelving, wall cabinets and coat racks.

5. Hammer fixing wall plug

For use with walls stuck with plasterboard. The hammer fixing allows it to be fixed to the wall rather than the plasterboard. Always check the fixing is secure to the retaining wall.

6. Shield anchor wall plug - heavy loads

For use with heavier loads such as TV and Hi-Fi speakers and satellite dishes etc.



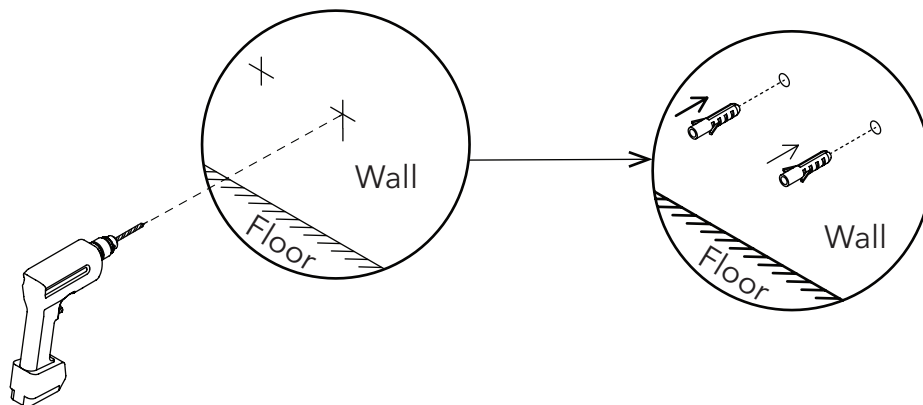
Care and maintenance

Safety: Periodically check all fittings and wall fixings to ensure they have not come loose and retighten as necessary.

Product assembly

Capri Table

Step 4



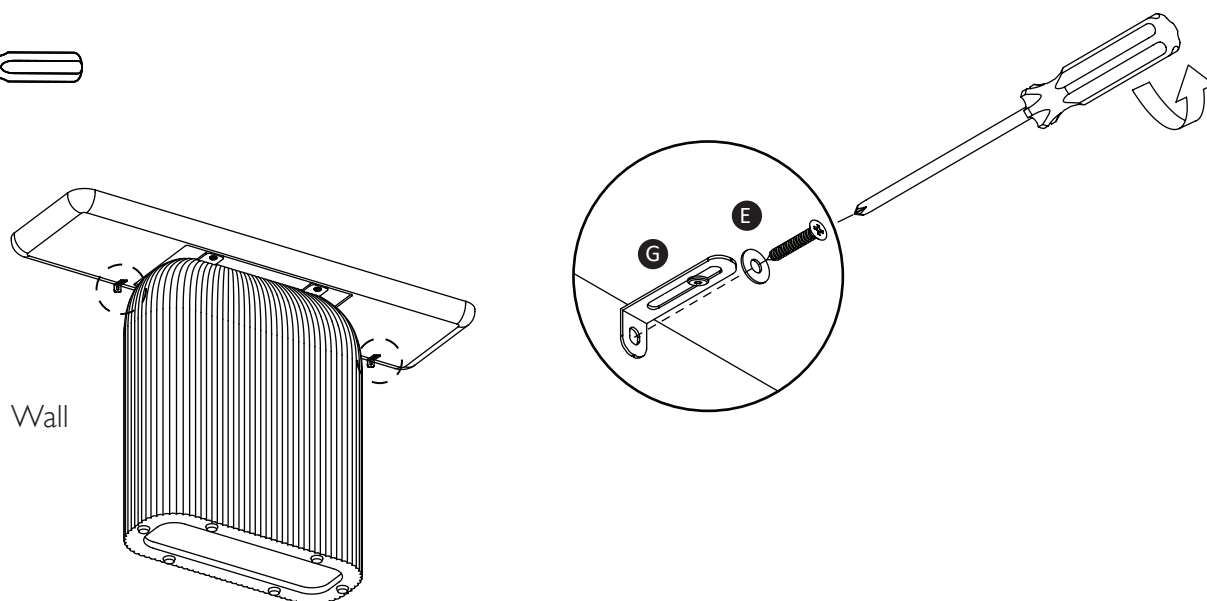
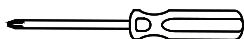
Before drilling, ensure the size of holes will be correct to fit the rawl plug (not included).

Warning: Ensure the area to be drilled is free from hidden electrical wires, water and gas pipes.

Drill the hole according to the marked position. Push the rawl plug (not included) into position as shown above.

Step 5

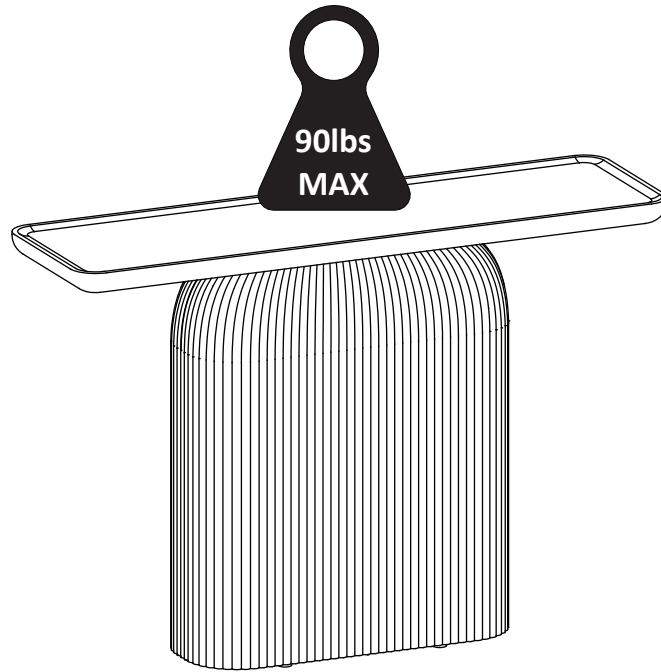
E **G**



Secure the wall brackets (G) to the wall using the washers (E) and screws (not included). Tighten with the screwdriver.

Product assembly

Capri Table



Maintenance and Care Instructions

1. Regular Cleaning

- **Dusting:** Regularly dust the table with a soft, dry cloth to remove surface dust and dirt.
- **Cleaning Solution:** Use a mild detergent mixed with water to clean the table. Avoid harsh chemicals, abrasive cleaners, or acidic substances, as these can damage the surface.
- **Wiping:** Wipe the table with a damp cloth, then immediately dry it with a clean, dry cloth to prevent water spots or streaks.
- **Important:** Do not use a pressure washer, harsh chemicals, or abrasive cleaners.

2. Protection

- **Coasters and Placemats:** Use coasters, placemats, or trivets to protect the surface from hot dishes, spills, and scratches.
- **Felt Pads:** Attach felt pads to decorative items, lamps, and other objects to prevent scratching.
- **Avoid Direct Sunlight:** Prolonged exposure to direct sunlight may cause discoloration. Use window treatments to filter UV rays, or keep curtains closed when the table is near windows or glass doors.
- **Moisture:** Wipe away any standing water or other liquids immediately. Prolonged exposure to moisture can cause permanent damage.
- **Ventilation:** Do not place the table near heating or cooling vents (e.g., air conditioners, heaters).
- **Sharp Objects:** Avoid using knives or other sharp tools directly on the surface. Always use a cutting board or plate to prevent damage.

3. Sealing

- This table is coated with a top sealant, making it suitable for both indoor and outdoor use. Over time, especially with prolonged outdoor exposure, the surface may become slightly more porous. In such cases, we recommend applying an additional protective sealant suitable for both interior and exterior use.
- **Re-sealing:** Reapply the sealant every 1–2 years, or as directed by the manufacturer, to maintain optimal protection.
- **Type of Sealant:** Use a protective, invisible, matte-finish, siloxane-based sealer such as *Valspar 82092 Clear*. (Note: This is not a product endorsement. Other brands may also be suitable. For professional advice, please consult a reputable DIY store.)

4. Stain Removal

- **Immediate Action:** Blot spills immediately with a clean, dry cloth to prevent staining.
- **Stain Removers:** For stubborn stains, use a pH-neutral cleaner specifically designed for stone surfaces. Test on a small, hidden area first to ensure compatibility.

5. Outdoor Use

- **Weather Protection:** When used outdoors, protect the table from extreme weather by covering it with a waterproof, UV-resistant cover when not in use.
- **Storage:** If possible, store the table under a covered area during adverse weather conditions.

Additional Tips

- **Avoid Dragging:** Lift objects rather than dragging them across the table to prevent scratches.
- **Stable Surface:** Ensure the table is placed on a level surface.
- **Seasonal Care:** Adapt your care routine to seasonal changes. For instance, in humid conditions, ensure good ventilation to prevent moisture buildup.
- **Check Fixtures:** Periodically check that all fixtures and fittings are securely tightened.

Important Safety Information

Ensure the furniture is installed correctly by a qualified person.

We are not liable for any damage or injury resulting from improper installation or assembly.