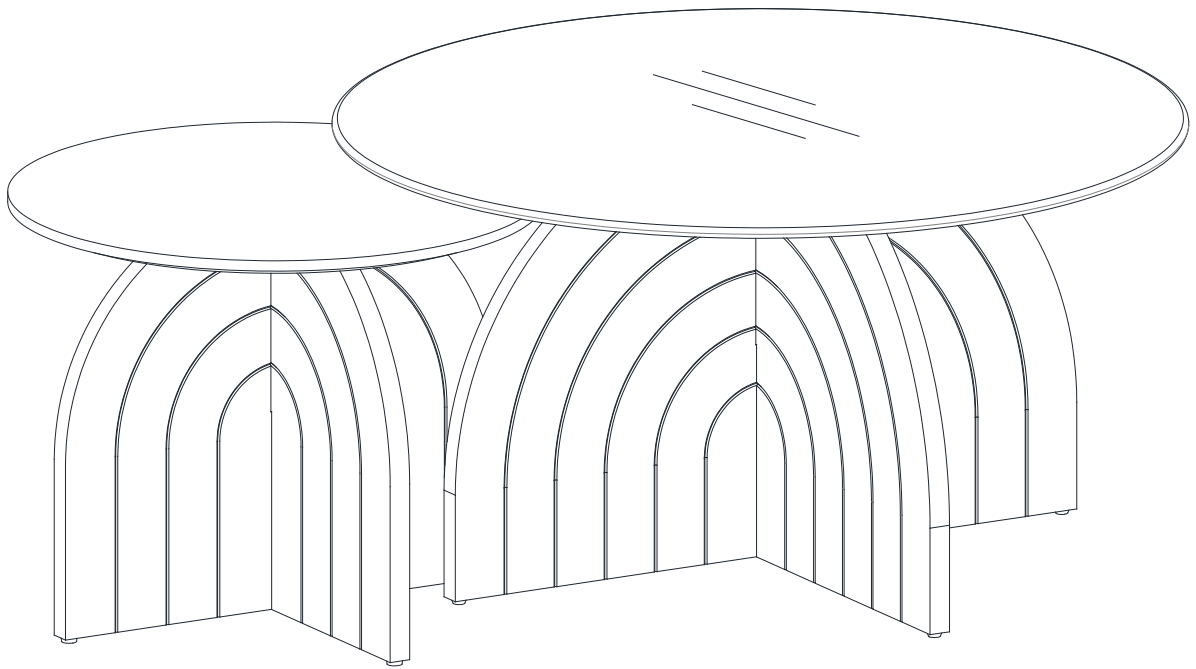


**Studio
London.**

Yale Nest of Coffee Tables
Stock number: SLYALNCBUI01



19.7"W x19.7"D x15.9"H

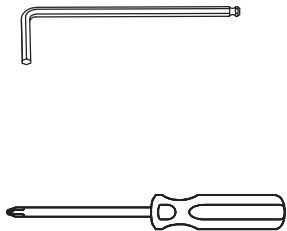
Congratulations on your purchase from Studio London!

In buying one of our quality products, you now own an item we sincerely hope you will love for years to come, without it costing the earth.

Responsibility is one of our core brand values. For every item sold, a tree is planted. Additionally, we invest in carbon reducing schemes, ensure all our materials are sustainably and responsibly sourced, and audit our suppliers to ensure they are safe, supportive, and ethically sound.

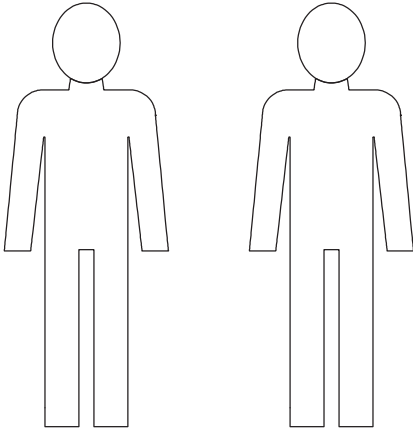
We hope you love your item. We would love to hear any feedback or comments. Visit us at www.studiolondon.net to comment or to find out more, and please follow us on Instagram at [studio_london_design](https://www.instagram.com/studio_london_design).

Tools required



Time to assemble
35 mins

People to assemble



Important safety information

Warnings

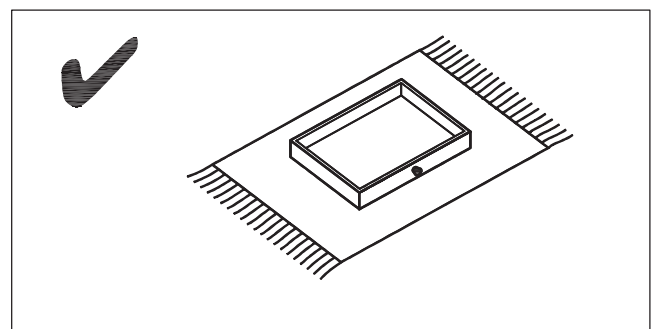
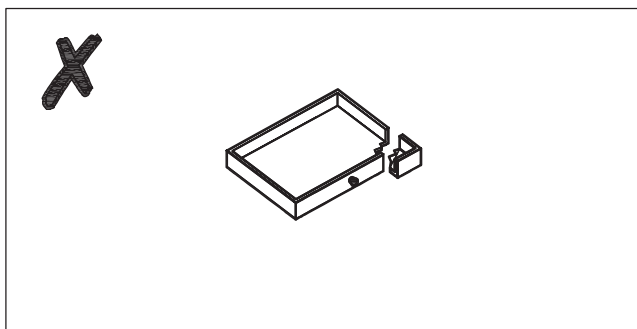
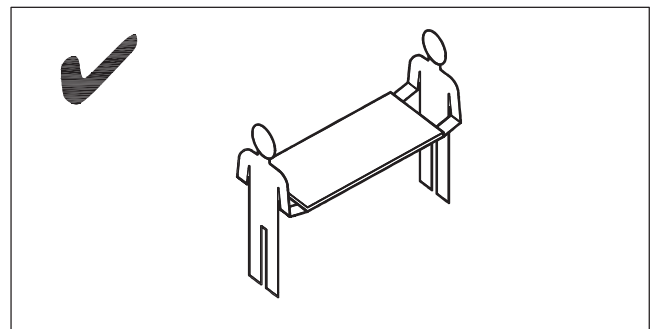
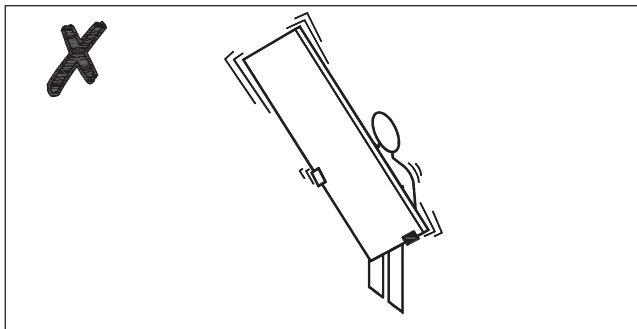
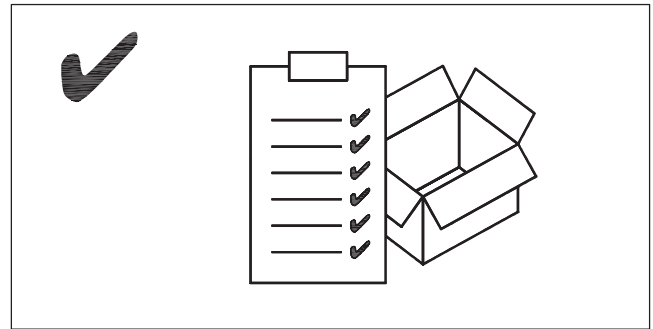
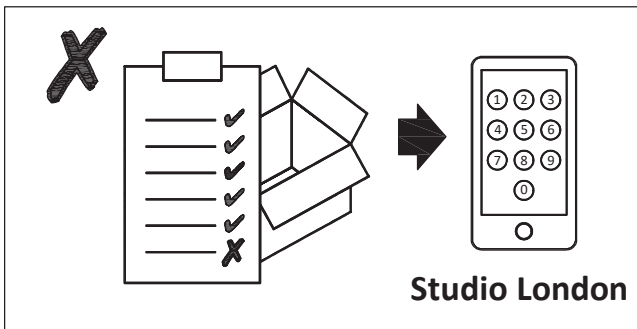
- ⚠ This product is not suitable for bedrooms.
- ⚠ The product should only be used on firm, level ground.
- ⚠ Keep small parts out of reach of children.
- ⚠ Ensure the product is fully assembled as illustrated before use.

Do's

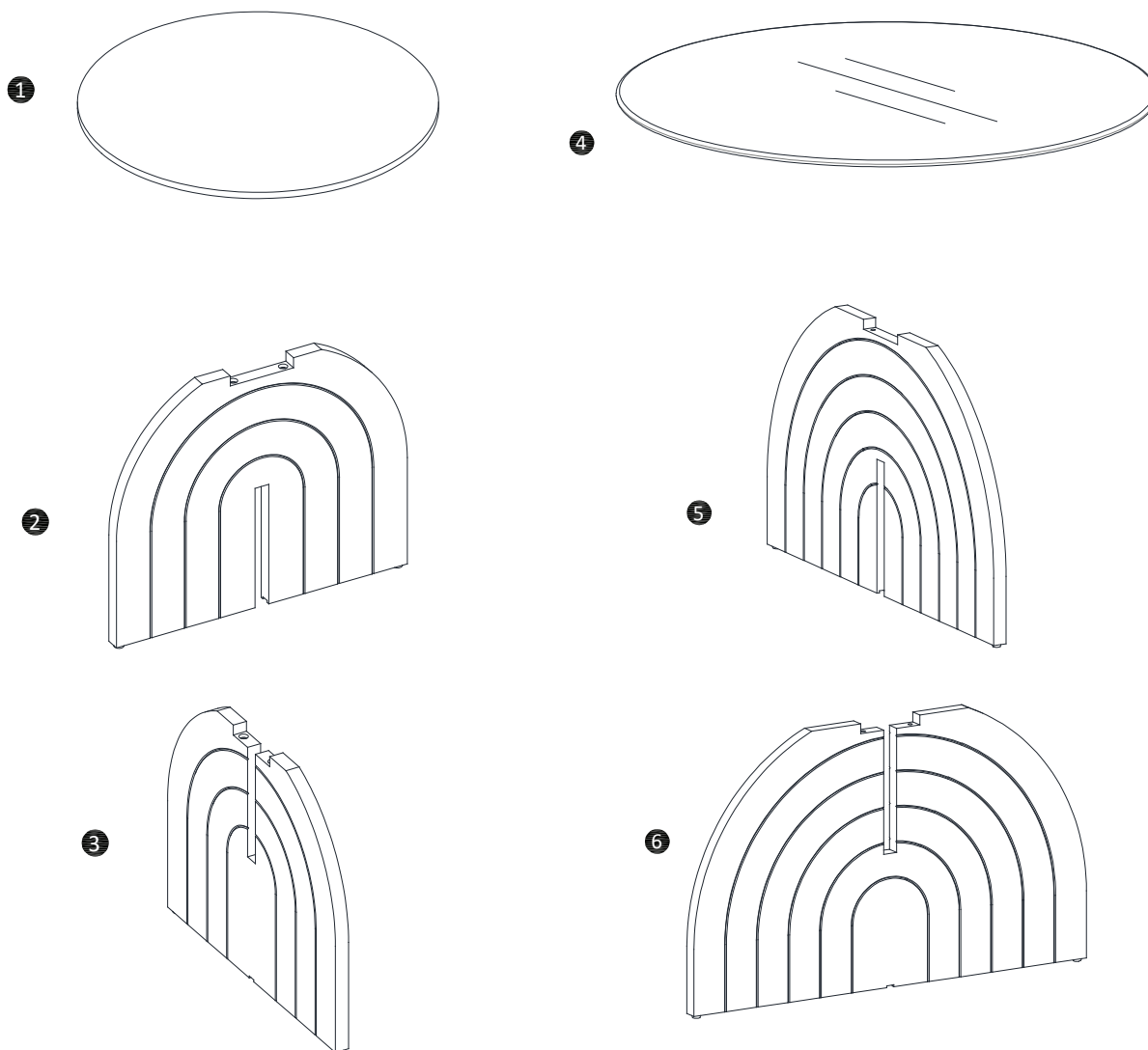
- ✓ Check the pack and make sure you have all the parts listed.
- ✓ Check all screws or bolts are tightened and inspect regularly.
- ✓ Make sure the legs remain in contact with the ground at all times.

Don't

- ✗ Do not over tighten screws or bolts.
- ✗ Do not stand on the product.
- ✗ Do not use power tools to construct as overtightening and panel failure may occur.

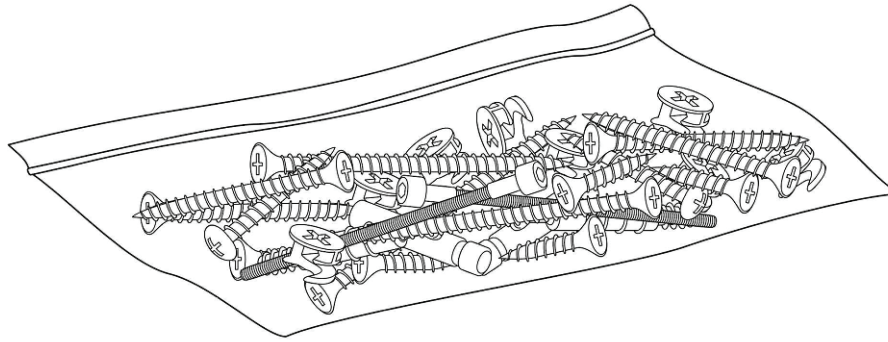


Your Coffee Table






Ref	Description	Dimensions	Qty
①	Table top	19.7" x 19.7" x 1.22"	1
②	Base	15.2" x 18.3" x 0.8"	1
③	Base	15.2" x 18.3" x 0.8"	1
④	Glass top	31.5" x 31.5" x 0.9"	1
⑤	Base	16.1" x 26.4" x 0.8"	1
⑥	Base	16.1" x 26.4" x 0.8"	1


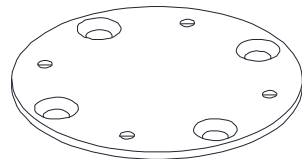
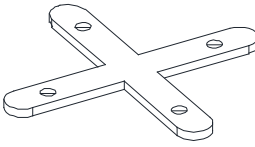
Fixtures and fittings



Fixtures and fittings supplied (true to size)

Ref	Description	Dimensions	Qty	mm 0 10 20 30 40 50 60 70
A	Large allen bolt	M6 x 15mm	12	
B	Large allen bolt	M6 x 10mm	4	
C	Crosshead Bolt	M4 x 15mm	8	

Fixtures and fittings supplied (not to scale)

Ref	Description	Dimensions	Qty	
D	Allen key	#4	1	
E	Round iron plate	Dia.100x3mm	2	
F	Metal bracket	100x100x3mm	2	

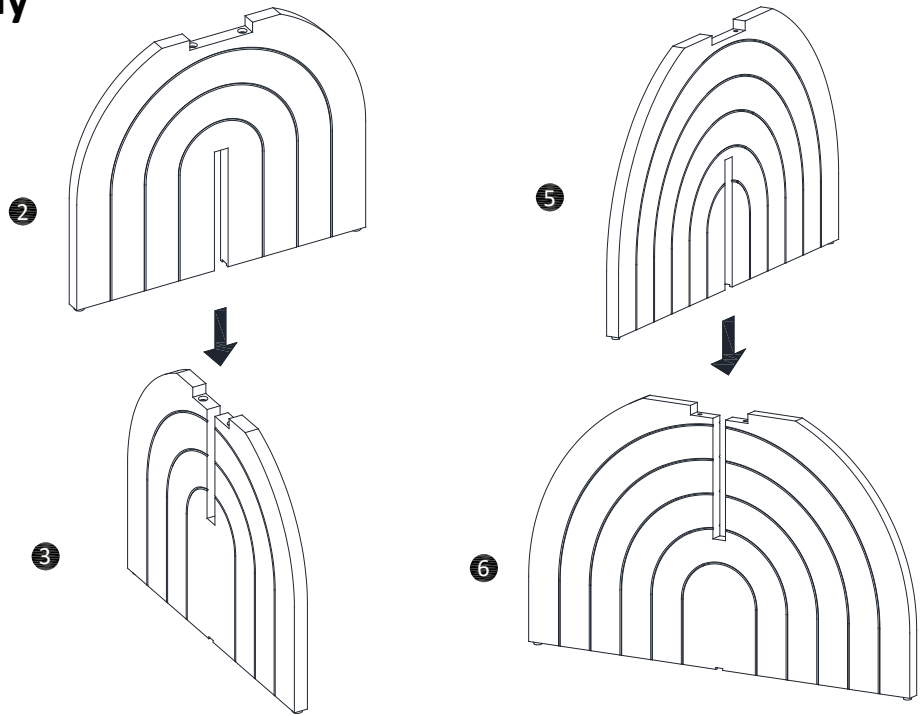
Product assembly

Yale Nest Of Coffee Tables
SLYALNCBUI01

Step 1

Parts, fittings and tools

2 3 5 6

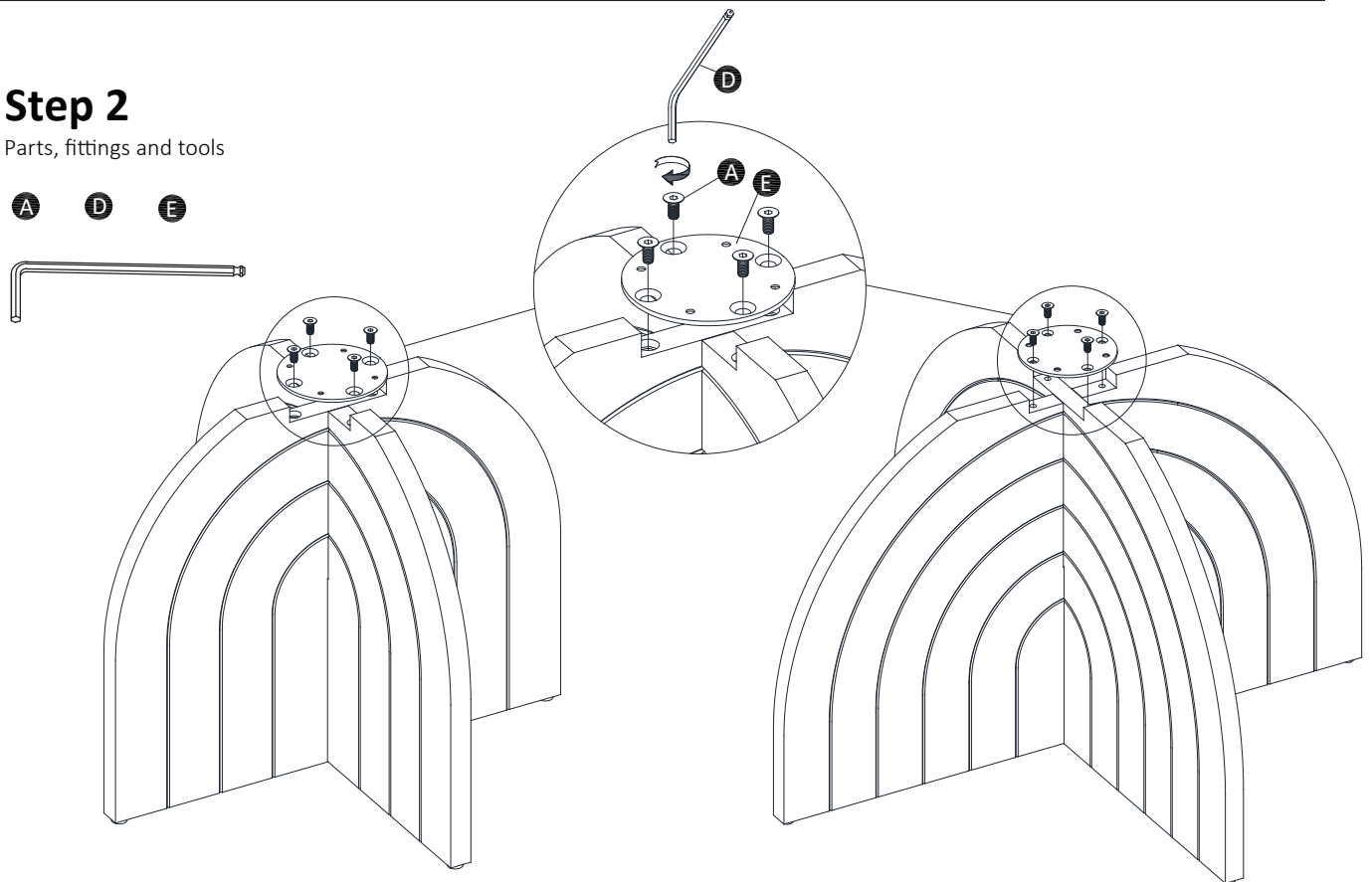


Find a spacious area to assemble the table. Slide the bases (2) & (5) into the bases (3) & (6) as shown.

Step 2

Parts, fittings and tools

A D E



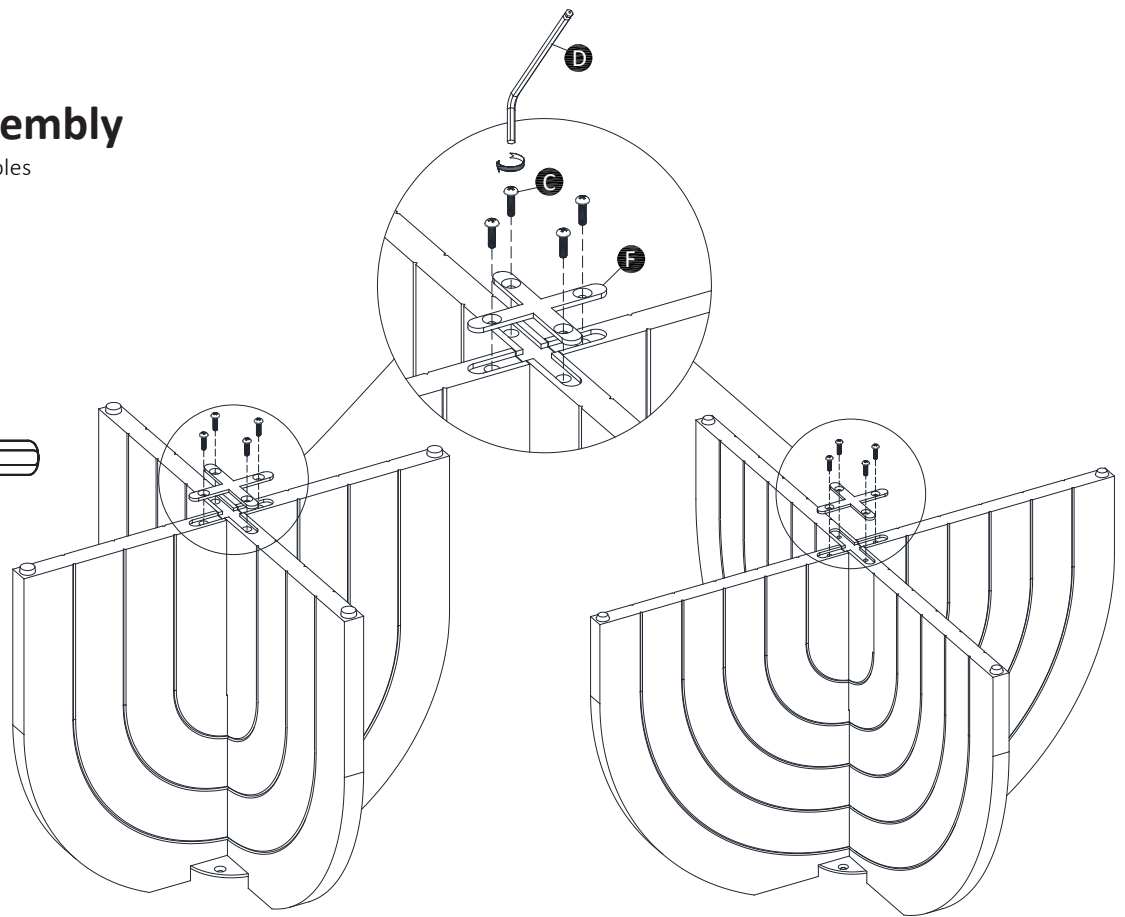
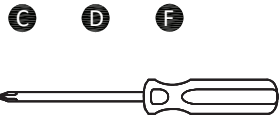
Align the round iron plate (E) with the base. Insert bolt (A) and tighten with the supplied allen key (D).

Product assembly

Yale Nest Of Coffee Tables
SLYALNCBUI01

Step 3

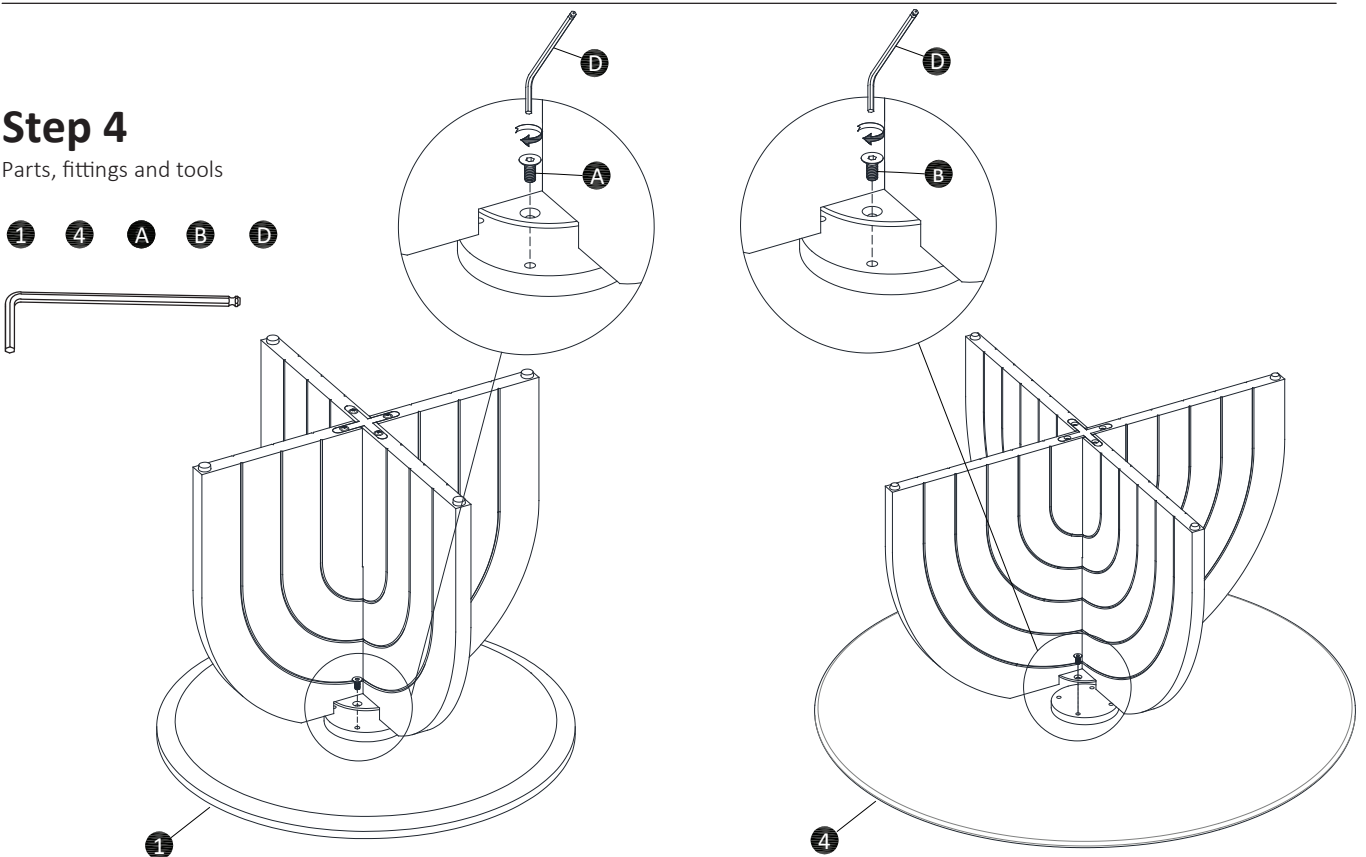
Parts, fittings and tools



Place the base upside down on a soft surface and insert the metal bracket (F). Use the crosshead bolt (C) and tighten with Allen key (D).

Step 4

Parts, fittings and tools



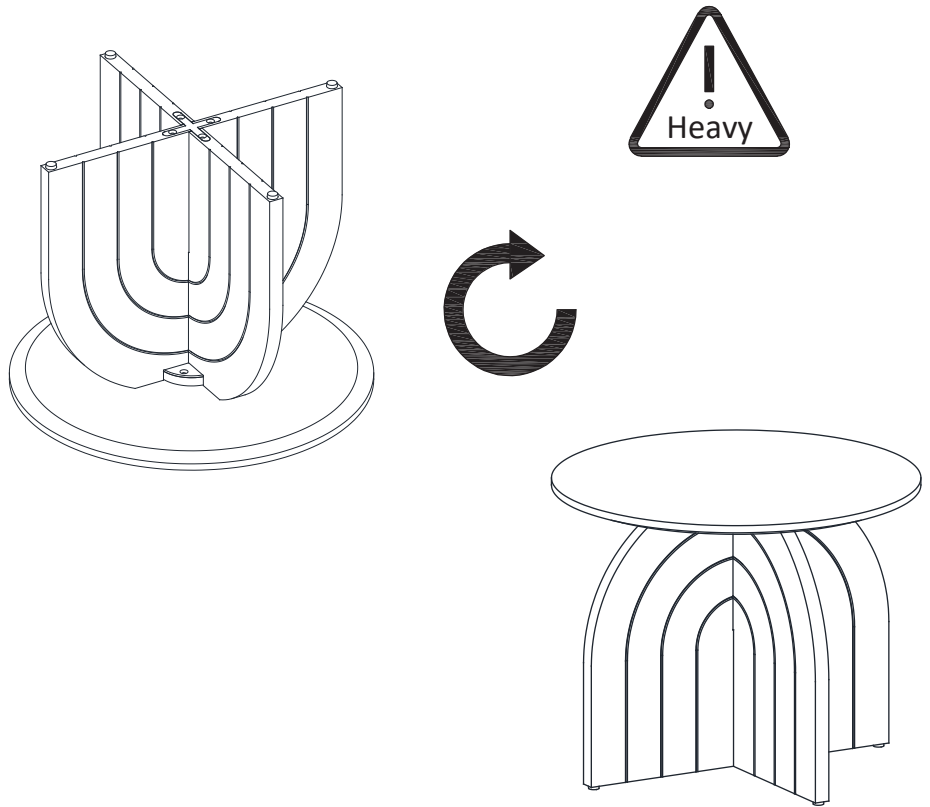
Place the table top (1) and glass top (4) upside down on a soft surface and insert the stand. Use Allen bolts (A) for wooden table tops and bolts (B) for glass table top to fix the base to the table top. Tighten using the supplied Allen key (D).

Product assembly

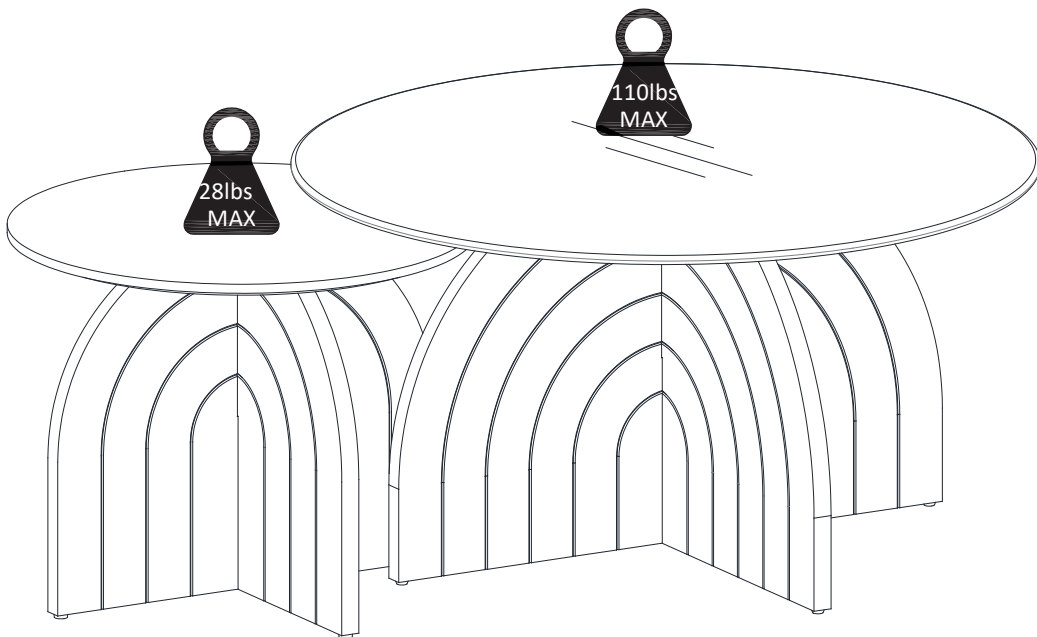
Yale Nest Of Coffee Tables
SLYALNCBU101

Step 5

Parts, fittings and tools



With 2 people carefully place the table on its feet. Take care when lifting not to damage the legs.



Care and maintenance

Wood furniture

Wood displays different grain patterns depending on which way they are cut - for example, the 'medullary ray' which can appear on oak furniture is a mark of good quality timber - these are just characteristics of the natural beauty of the wood. Some furniture is also deliberately aged and rustic.

Wood veneers also allow a distinctive pattern to be created on some surfaces, such as tabletops and drawer fronts by the way slivers are arranged.

All timber and veneer surfaces will change colour and mellow over time. New furniture will initially vary in shade from items that have been previously purchased.

How to care for your wood furniture

Furniture with a hard lacquer, wax polish or painted surface should be dusted with a dry cloth.

Waxed furniture will need to be given a coat of beeswax a couple of times a year to help maintain its lustre.

Spray polishes are best avoided as they contain silicones which may spoil the furniture's surface when building up over time.

Make sure all surfaces are protected from the heat and liquids by mats and coasters. Wipe up spills immediately and ensure that a mat or pad is placed under paper if you are writing.

Our furniture will endure most temperatures in the home, but it is best to avoid placing furniture next to heat sources such as radiators or fires. Be particularly careful with solid wood as the lack of humidity caused by home heating can cause damage such as warping.

Glass furniture warning

Do not place very hot or very cold items glass surface(s) unless adequately thick table mats are used to prevent such items from coming into contact with the glass. Do not sit or stand upon glass surface(s).

Do not use the glass as a chopping surface. Do not strike the glass with hard or pointed items.

Tempered glass is designed to break into very small fragments for customer safety. On very rare occasions including when not in direct use, glass can break for the following reasons:

- Surface damage and scratches (protect the surface with mats during use). Please take extra care to ensure no heavy or sharp objects impact this product.
- Extremes of temperature. Avoid areas where the item can become very hot and cold.

Caution

This wood has a painted surface that can scratch. Please avoid contact with hard, sharp objects. Avoid placing plant pots or vases without waterproof mats to prolong the life of the product.

Please do not sit or lean on this product.

Maximum Load Capacity: 28lbs for the top surface. 110lbs for the glass top.

Retain these instructions for future reference.

Your feedback is very important to us and we would love to hear your comments on you new furniture. Please visit our website to leave a review. Thank you.