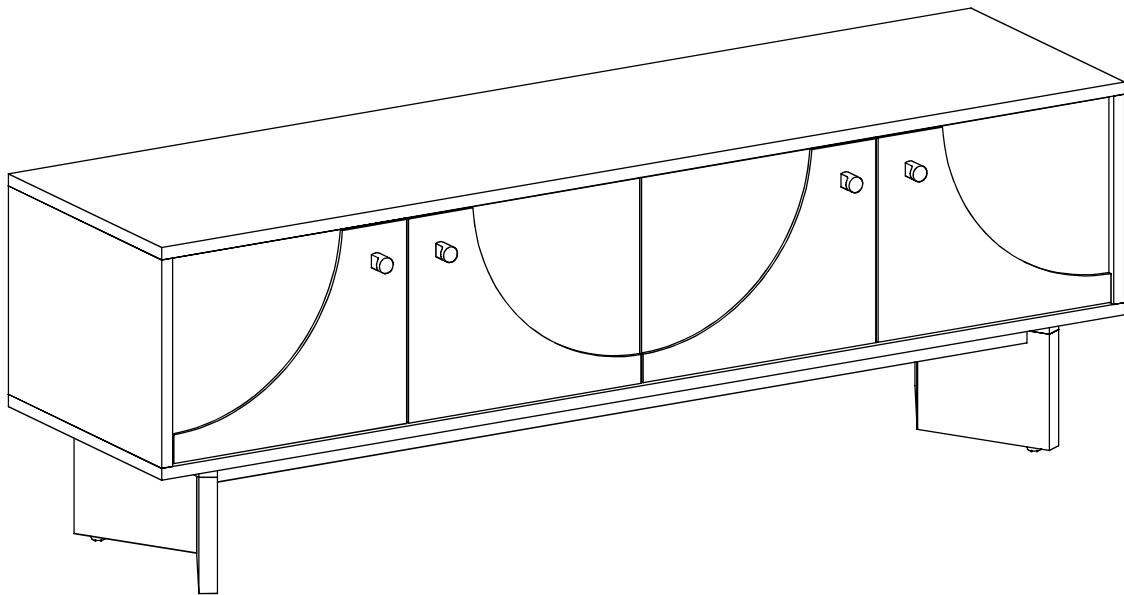


**Studio  
London.**

**Zahra Media Unit**

Stock number :SLZAHTVTHU01



59"**W** x 15.7"**D** x 20"**H**

Thank you for purchasing the Zahra TV Unit from Studio London. Please read the instructions and warnings carefully before use, to ensure safe and satisfactory operation of this product.

At Studio London, we are trying to make products you will love for years to come without it costing the earth.

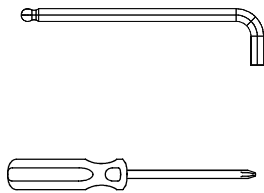
From our in-house Design Team, to our Buyers, we work together to bring great design to life at fair prices. Our expert Product Technologists work collaboratively with our buyers and suppliers to ensure the legality, safety, sustainability and quality of the product we sell.

We are all committed to designing and developing products to the highest industry standards and in the most sustainable, responsible manner.

We hope you love your new product as much as we do and welcome any feedback or comments you may have.

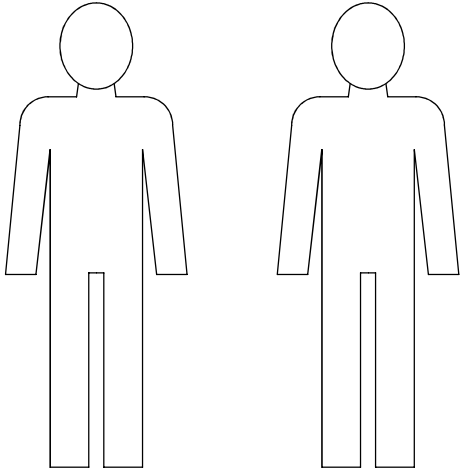
The Studio London Team

**Tools required**



**Time to assemble**  
15 mins

**People to assemble**



# Important safety information

## Warnings

This product is not suitable for bedrooms.

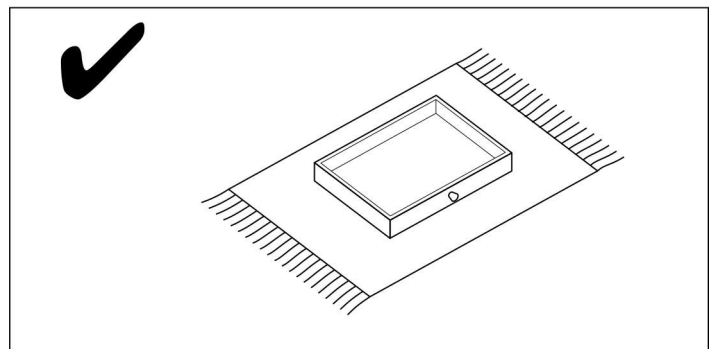
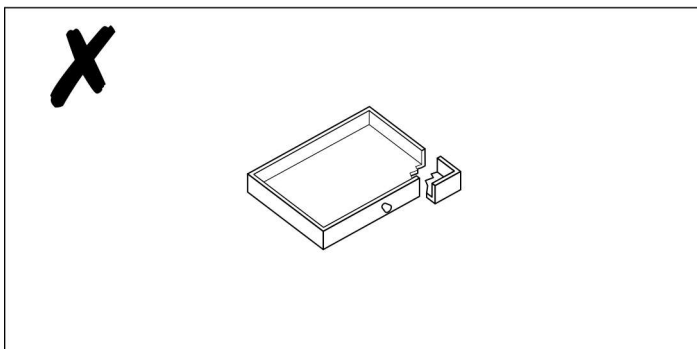
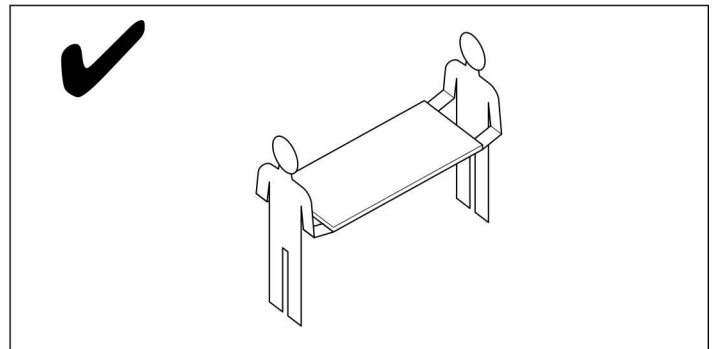
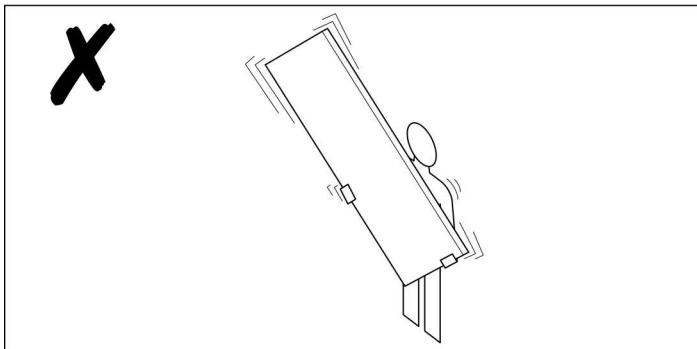
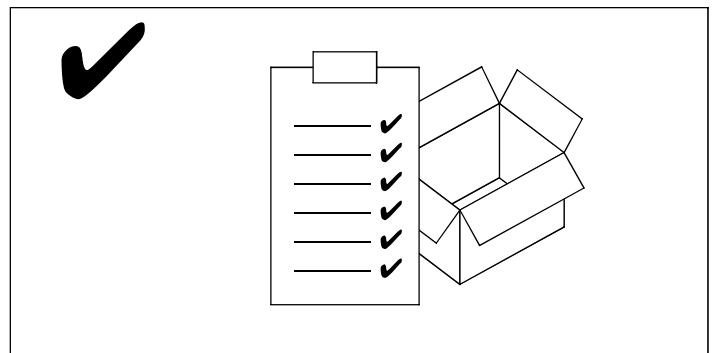
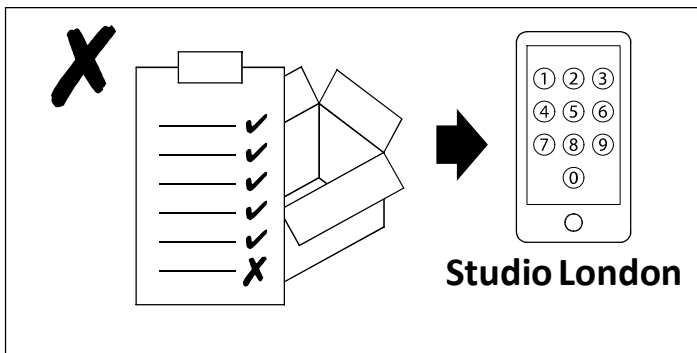
- ⚠ The product should only be used on firm, level ground.
- ⚠ Keep small parts out of reach of children.
- ⚠ Ensure the product is fully assembled as illustrated before use.

## Do's

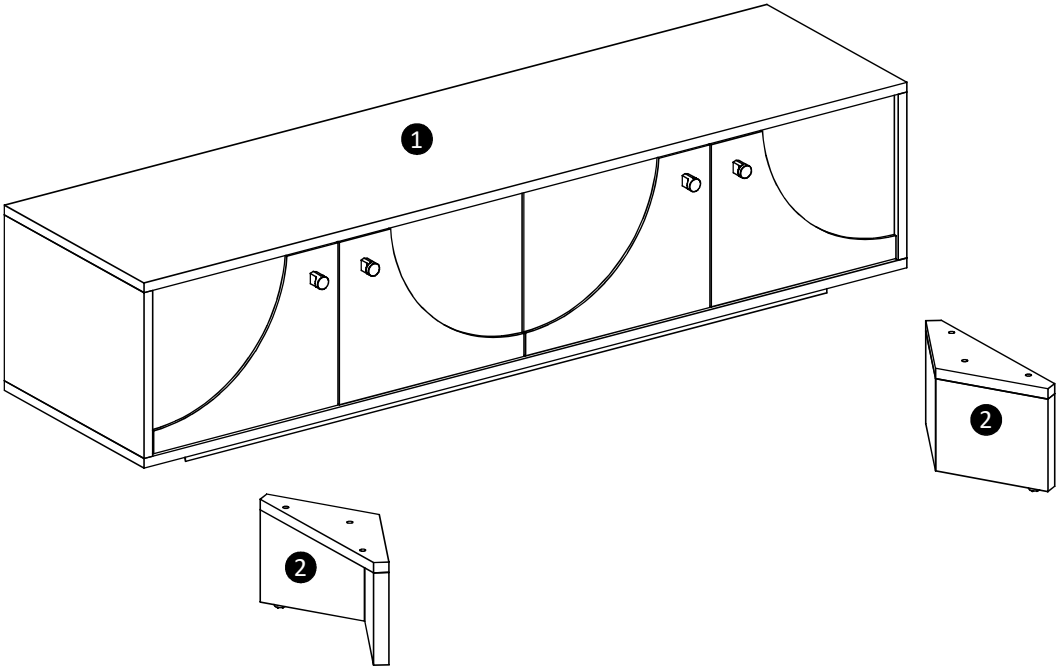
- ✓ Check the pack and make sure you have all the parts listed.
- ✓ Check all screws or bolts are tightened and inspect regularly.
- ✓ Make sure the legs remain in contact with the ground at all times.

## Don't

- ✗ Do not over tighten screws or bolts.
- ✗ Do not stand on the product.
- ✗ Do not use power tools to construct as overtightening and panel failure may occur.

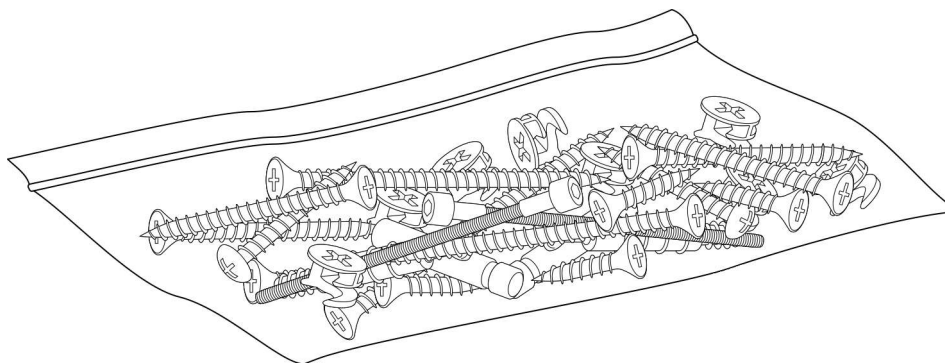


# Your TV Unit



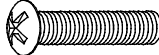


Ref	Description	Dimensions	Qty
①	Cabinet	59" x 15 3/4" x 14 1/4"	1
②	Leg	13 3/4" x 4 7/8" x 7 1/8"	2


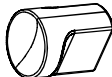
# Fixtures and fittings



## Fixtures and fittings supplied (actual size)

Ref	Description	Dimensions	Qty	mm 0 10 20 30 40 50 60 70
<b>A</b>	Allen bolt	M6 x 25mm	6	
<b>B</b>	Washer	Dia.16mm	6	
<b>C</b>	Crosshead Bolt	M4x20	4	

## Fixtures and fittings supplied (not actual size)

Ref	Description	Dimensions	Qty	
<b>D</b>	Allen key	#4	1	
<b>E</b>	Handle		4	

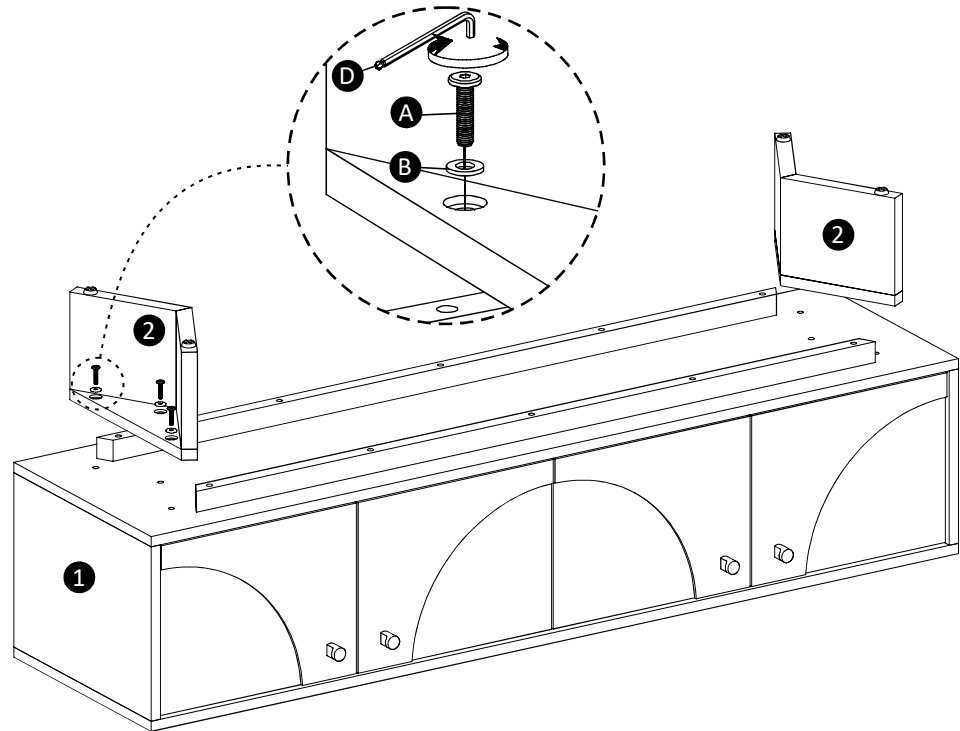
# Product assembly

Zahra TV Unit  
SLZAHTVTHU01

## Step 1

Parts, fittings and tools

1 2 A B D



Find clear area for assembly, near where you intend to use the TV Unit . Turn the cabinet (1) upside down on a soft surface. Locate and secure the leg (2) as shown above using the allen bolts (A), washer (B) and the allen key (D).

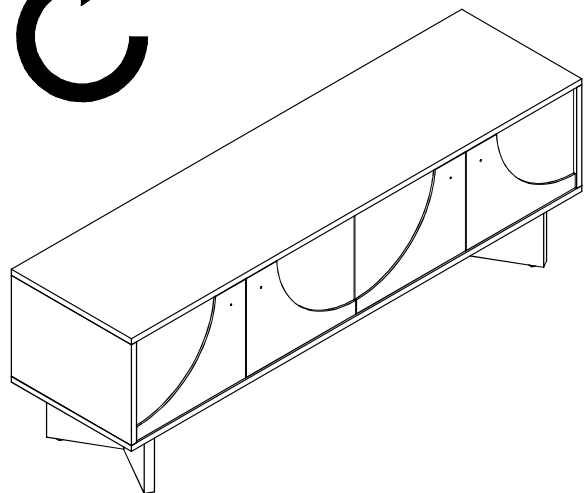
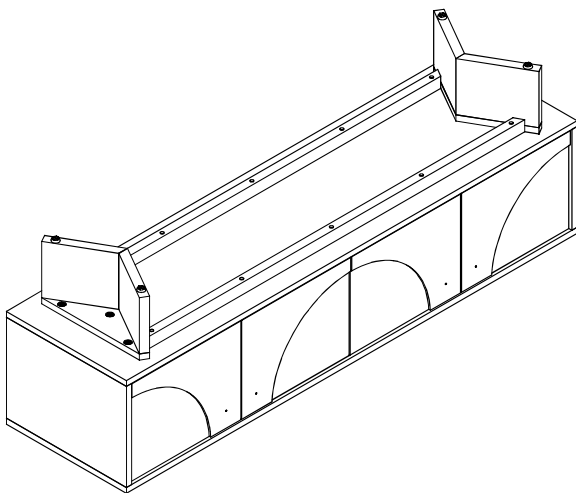
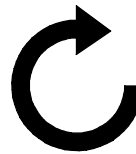
## Step 2

Parts, fittings and tools



### CAUTION!

Please take care when lifting,  
this unit is heavy!  
Please lift by holding  
the top and bottom panels to  
prevent damaging the legs!



With 2 people carefully turn cabinet over and place in position. Take care when lifting not to damage the legs.

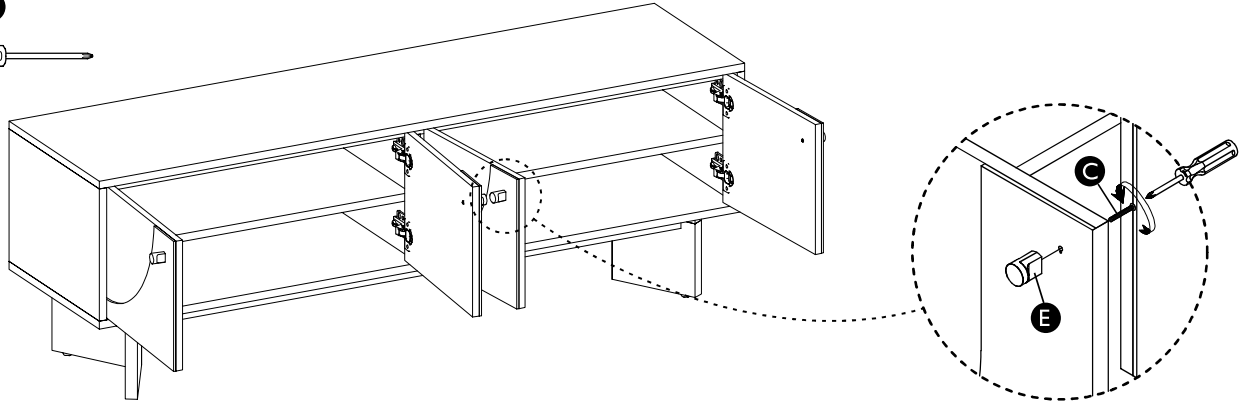
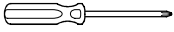
# Product assembly

Zahra TV Unit  
SLZAHTVTHU01

## Step 3

Parts, fittings and tools

**C** **E**



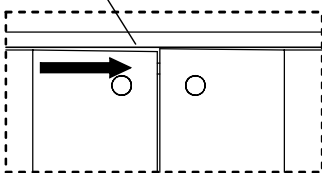
Locate and secure the handle (E) as shown above using the screwdriver (not included) and crosshead bolt (C).

## Step 4

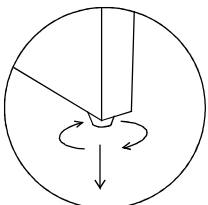
Parts, fittings and tools

### Scenario A.

If the gaps increase  
from left to right...

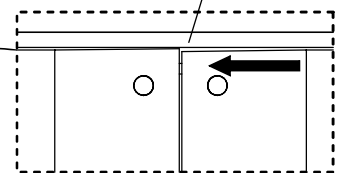


...increase height of the front left  
foot (1) by unscrewing it so the foot  
moves towards the ground

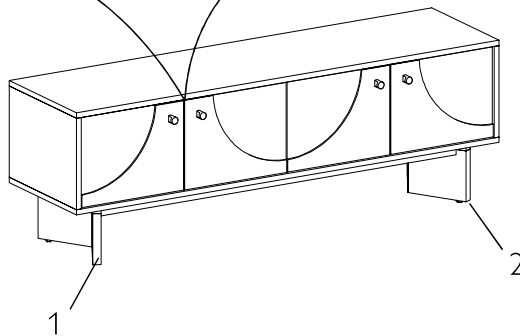
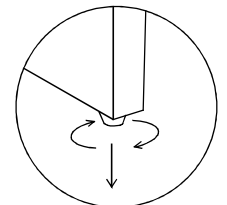


### Scenario B.

If the gaps increase  
from right to left...



...increase height of the front right  
foot (2) by unscrewing it so the foot  
moves towards the ground



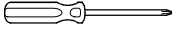
Move the cabinet into its location of intended use next to a wall. Turn the adjustable feet so the cabinet is level (you can use a spirit level to help here). Also check that the doors are level- the gap between the top edge of the doors and the frame above should ideally be consistent. If it is not, you can correct this by making slight adjustments to the feet by following the guide above.

# Product assembly

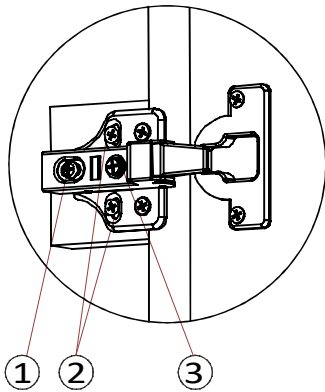
Zahra TV Unit  
SLZAHTVTHU01

## Step 5

Parts, fittings and tools



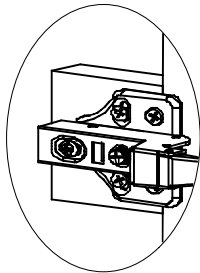
### HINGE ADJUSTMENT INSTRUCTION



#### PLEASE NOTE:

Clearance around the door can be altered by adjustment of the hinge screws.

- The gap between the front and back of the door is adjusted by screw (1).
- The upper and lower clearance is adjusted by the (2) screws.
- The left and right clearance is adjusted by screw (3).



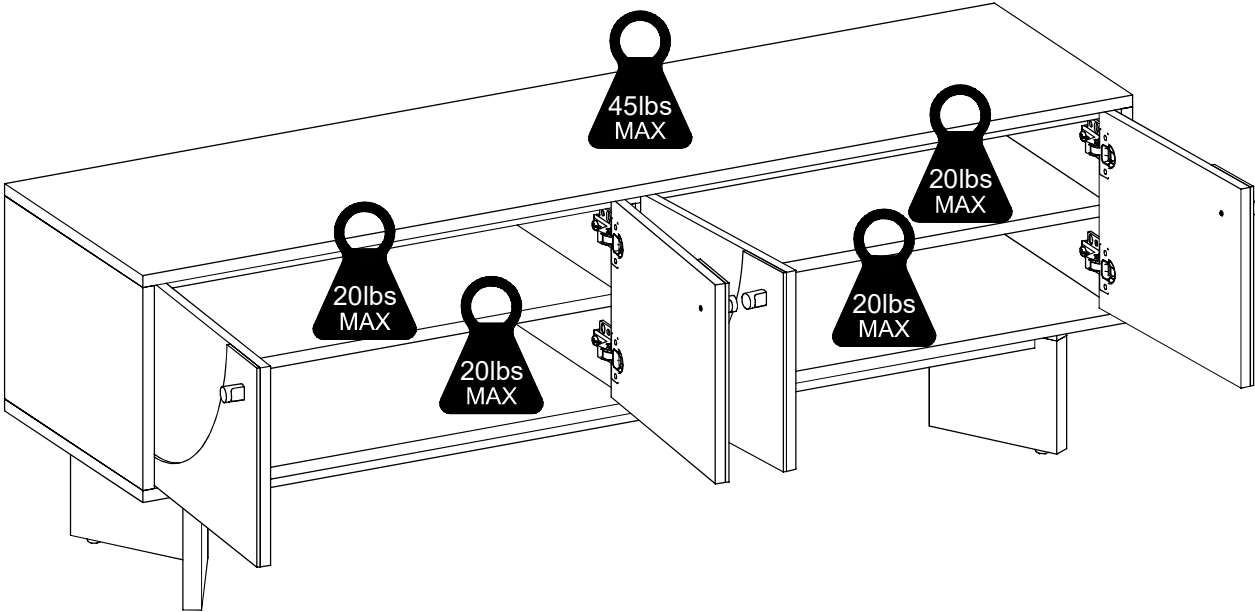
#### PLEASE NOTE:

The door can be removed by unscrewing all the screws that attach the hinges to the wood inside.



# Product assembly

Zahra TV Unit  
SLZAHTVTHU01



## Care and maintenance

### Wood furniture

Wood displays different grain patterns depending on which way they are cut - for example, the 'medullary ray' which can appear on oak furniture is a mark of good quality timber - these are just characteristics of the natural beauty of the wood. Some furniture is also deliberately aged and rustic.

Wood veneers also allow a distinctive pattern to be created on some surfaces, such as tabletops and drawer fronts by the way slivers are arranged.

All timber and veneer surfaces will change colour and mellow over time. New furniture will initially vary in shade from items that have been previously purchased.

### How to care for your wood furniture

Furniture with a hard lacquer, wax polish or painted surface should be dusted with a dry cloth.

Waxed furniture will need to be given a coat of beeswax a couple of times a year to help maintain its lustre.

Spray polishes are best avoided as they contain silicones which may spoil the furniture's surface when building up **over time**.

Make sure all surfaces are protected from the heat and liquids by mats and coasters. Wipe up spills immediately and ensure that a mat or pad is placed under paper if you are writing.

Our furniture will endure most temperatures in the home, but it is best to avoid placing furniture next to heat sources such as radiators or fires. Be particularly careful with solid wood as the lack of humidity caused by home heating can cause damage such as warping.

### Caution

This wood has a painted surface that can scratch. Please avoid contact with hard, sharp objects. Avoid placing plant pots or vases without waterproof mats to prolong the life of the product.

**Please do not sit or lean on this product.**

**Maximum Load Capacity:** 45lbs for the top surface, 20lbs for each shelf.

Retain these instructions for future reference.

**Your feedback is very important to us and we would love to hear your comments on you new furniture. Please visit our website to leave a review. Thank you.**