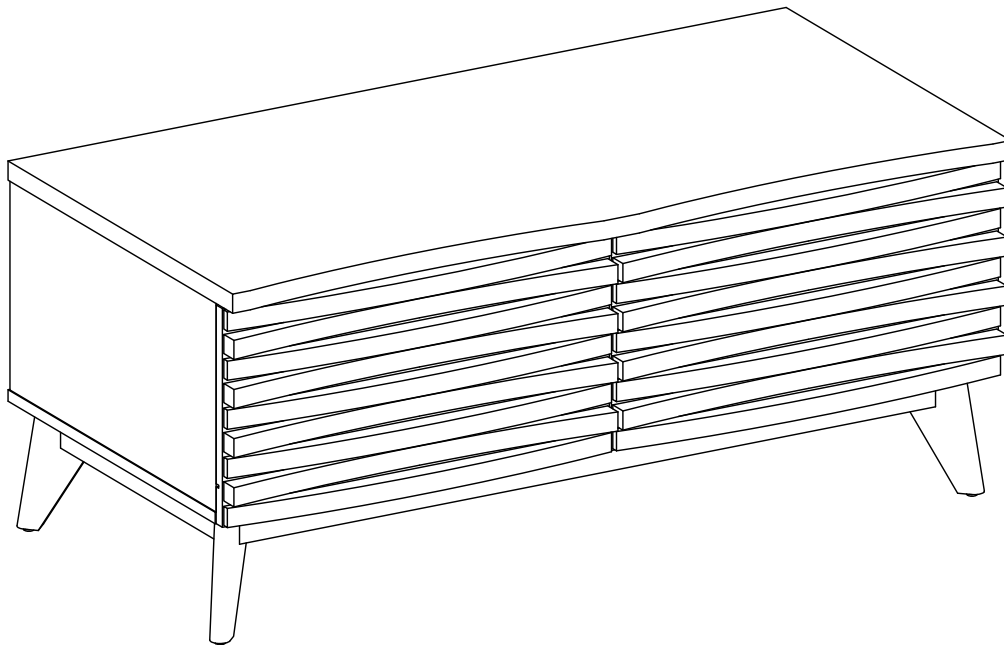


**Studio  
London.**

**Zappa Coffee Table - Oak Finish**  
Stock number: SLZAPCOMEL01



**43.3"W x 21.6"D x 18.8"H**

Congratulations on your purchase from Studio London!

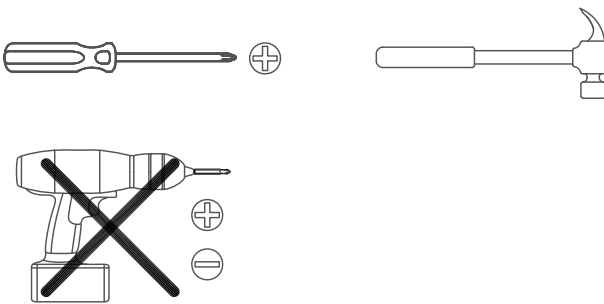
In buying one of our quality products, you now own an item we sincerely hope you will love for years to come, without it coating the earth.

Responsibility is one of our core brand values. For every item sold, a tree is planted. Additionally, we invest in carbon reducing schemes, ensure all our materials are sustainable and responsibly sourced, and audit our suppliers to ensure they are safe, supportive and ethically sound.

We hope you love your item. We would love to hear any feedback or comment.

Visit us at [www.studiolondon.net](http://www.studiolondon.net) to comment or to find out more, and please follow us on instagram at [studio\\_london\\_design](https://www.instagram.com/studio_london_design).

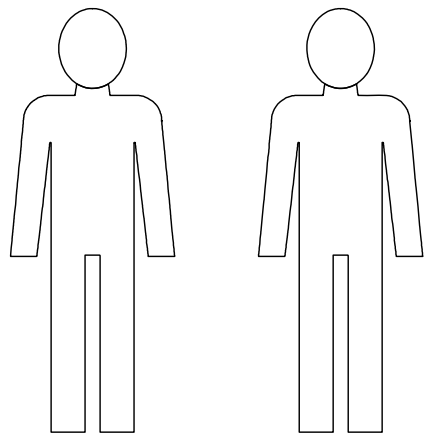
**Tools required**



Don't use an electric screwdriver to assemble the cabinet panels.

**Time to assemble**  
30 mins

**People to assemble**



## Important safety information

### Warnings

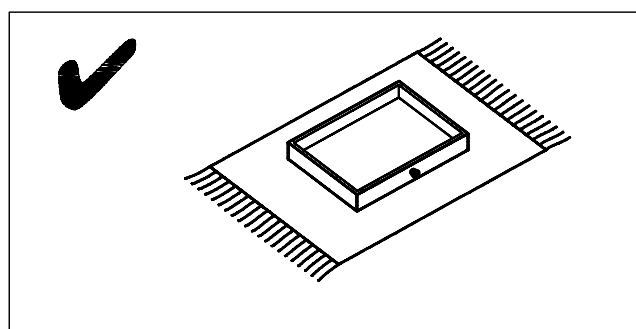
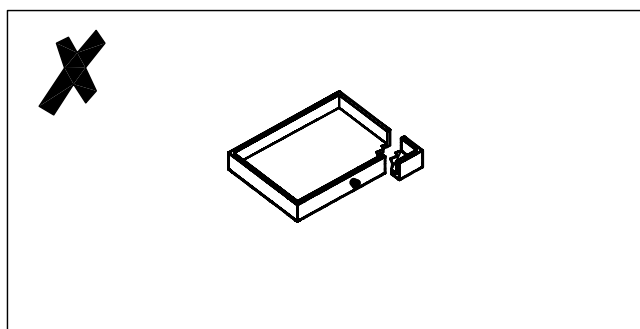
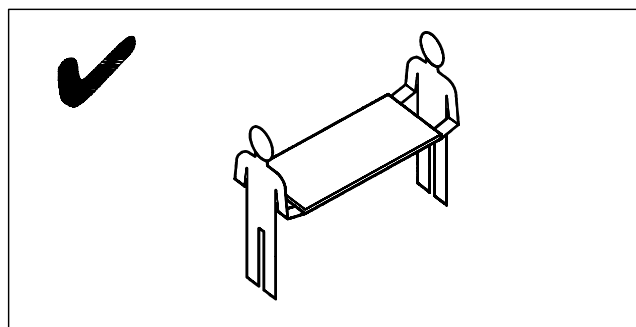
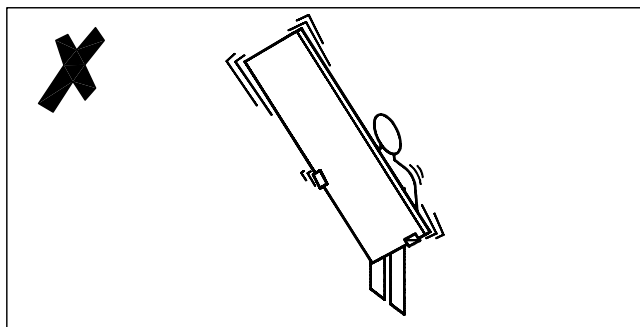
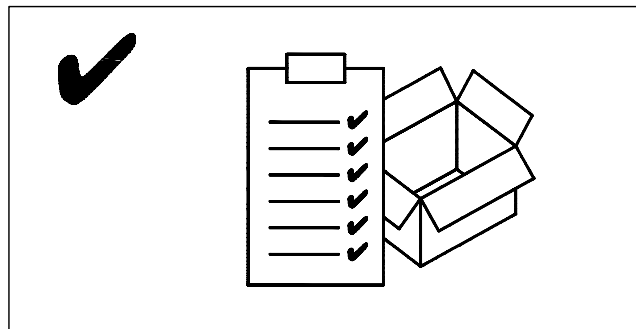
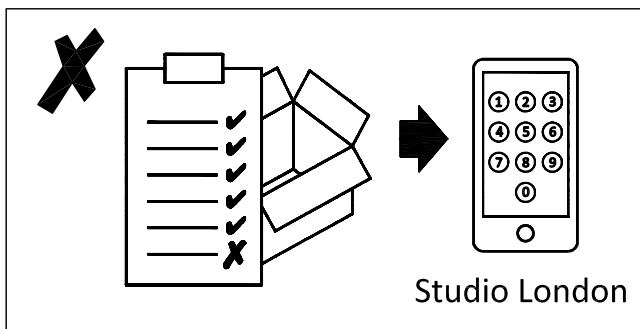
- ⚠ **This product is not suitable for bedrooms.**
- ⚠ The product should only be used on firm, level ground.
- ⚠ Keep small parts out of reach of children.
- ⚠ Ensure the product is fully assembled as illustrated before use.

### Do's

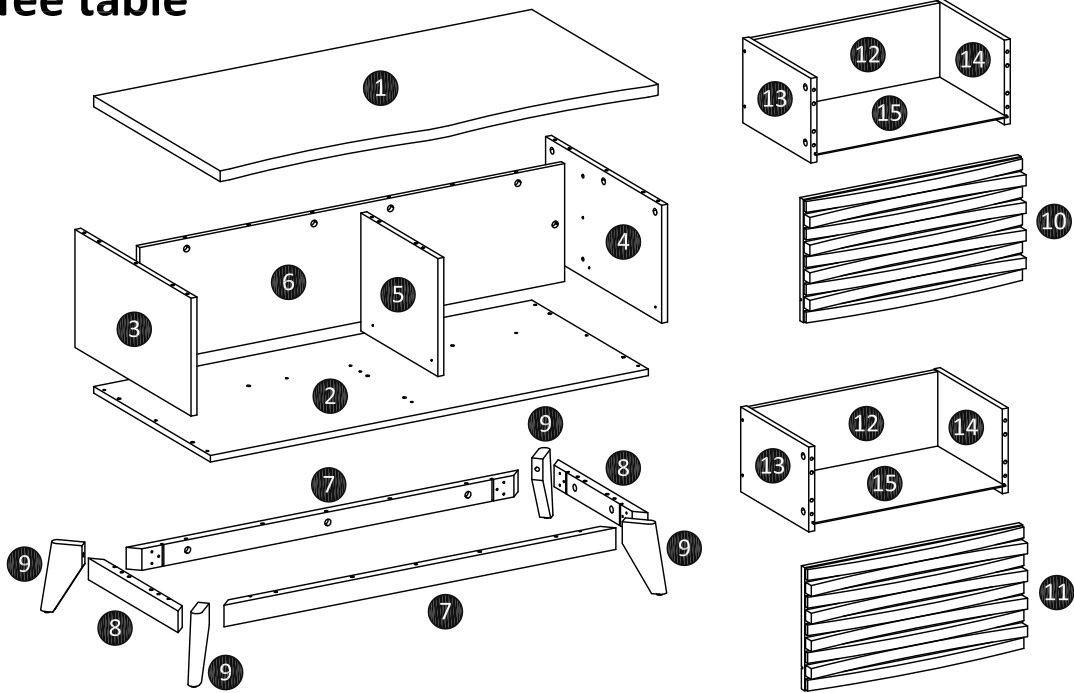
- ✓ Check the pack and make sure you have all the parts listed.
- ✓ Check all screws or bolts are tightened and inspect regularly.
- ✓ Make sure the legs remain in contact with the ground all time.

### Don't

- ✗ Do not over tighten screws or bolts.
- ✗ Do not stand on the product.
- ✗ Do not use power tools to construct as overtightening and panel failure may occur.

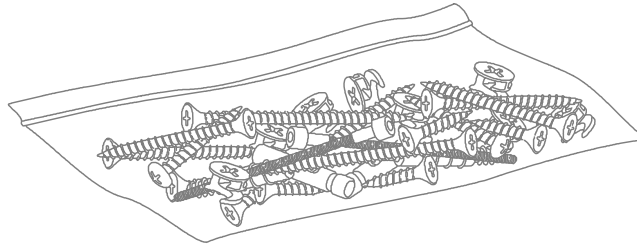


# Your Coffee table



Ref	Description	Dimensions	Qty
①	Top panel	43.3" x 21.6" x 1"	1
②	Bottom panel	43.3" x 20" x 0.6"	1
③	Left panel	10.7" x 19.8" x 0.6"	1
④	Right panel	10.7" x 19.8" x 0.6"	1
⑤	Divider panel	10.7" x 13.1" x 0.6"	1
⑥	Rear panel	42" x 10.7" x 0.6"	1
⑦	Large support	38.7" x 2" x 1"	2
⑧	Small support	15.3" x 2" x 1" mm	2
⑨	Leg	6.3" x 3.8" x 1"	4
⑩	Left front drawer	21.5" x 11.2" x 1.6"	1
⑪	Right front drawer	21.5" x 11.2" x 1.6"	1
⑫	Rear drawer	18.5" x 7.6" x 0.6"	2
⑬	Left drawer	11.6" x 7.7" x 0.6"	2
⑭	Right drawer	11.6" x 7.7" x 0.6"	2
⑮	Bottom drawer	19" x 11.5" x 0.1"	2

# Fixtures and fittings



## Fixtures and fittings Supplied (true to size)

Ref	Description	Dimensions	Qty	mm 10 20 30 40 50 60 70 80 90
A	Cam-fix	Dia.15mm	32	
B	Cam-bolt	M7.5 x 32mm	32	
C	Cam-Sticker	Dia.25mm	32	
D	Plastic dowel	M8 x 32mm	44	
E	screw	M6 x 13mm	8	
F	Washer plate	M6 x 13mm	4	
G	screw	M6 x 8mm	8	
H	screw	M4 x 10mm	24	
I	screw	M10 x 33.5mm	21	
J	screw	M6 x 20mm	4	
K	Washer	M6 x 10mm	4	

## Fixtures and fittings Supplied (not to scale)

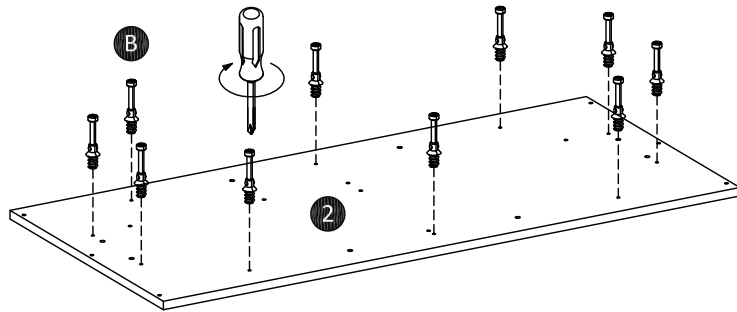
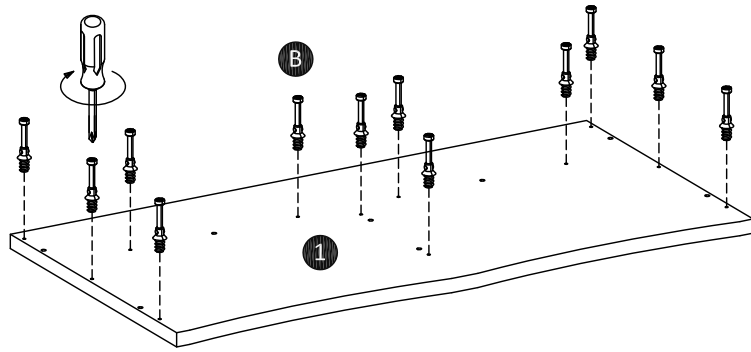
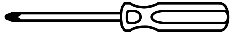
Ref	Description	Dimensions	Qty	
L	Corner braces	N/A	4	
M	Drawer Rail	300mm	2	

# Product assembly

Zappa Coffee Table  
SLZAPCOMEL01

## Step 1

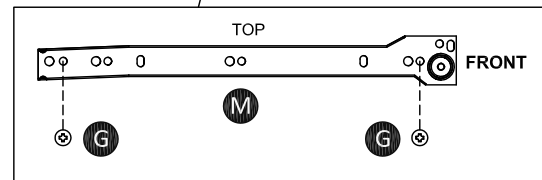
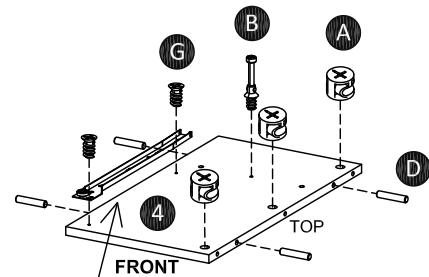
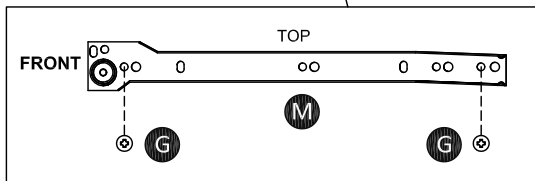
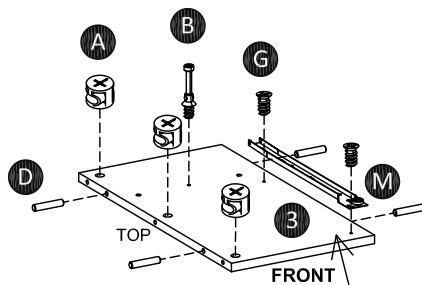
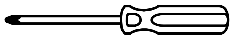
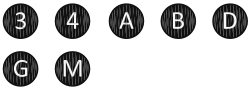
Parts, fittings and tools



Attach cam-bolt (B) to top panel (1) and bottom panel (2) using screwdriver.

## Step 2

Parts, fittings and tools



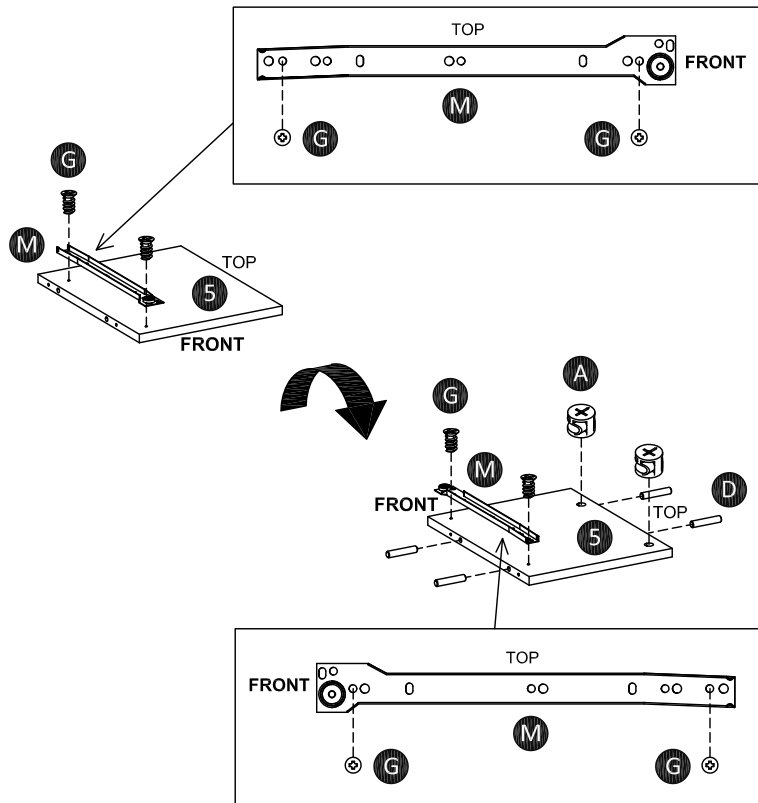
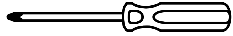
Insert cam-fix (A) and plastic dowel (D) into left panel (3) and right panel (4).  
Attach drawer rails (M) to left panel (3) and right panel (4) using screws (G).

# Product assembly

Zappa Coffee Table  
SLZAPCOMEL01

## Step 3

Parts, fittings and tools

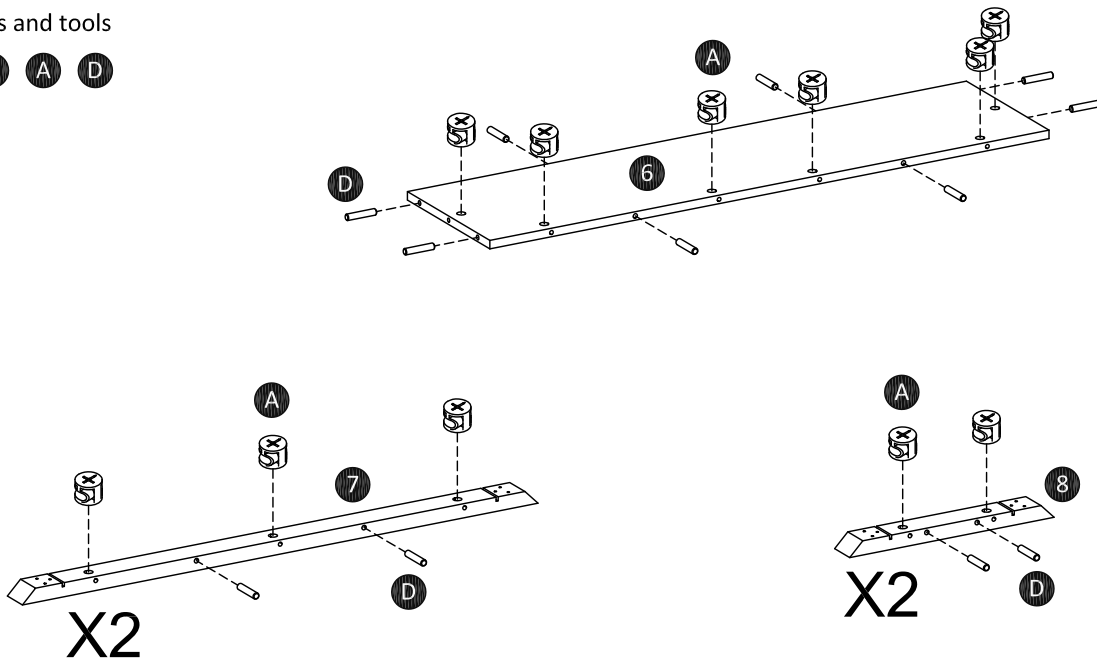


Attach drawer rail (M) using screws (G) on divider panel (5) as shown.

Flip the panel 180°, then insert cam-fix (A) and plastic dowel (D) into divider panel (5), also attach drawer rail (M) using screws (G).

## Step 4

Parts, fittings and tools



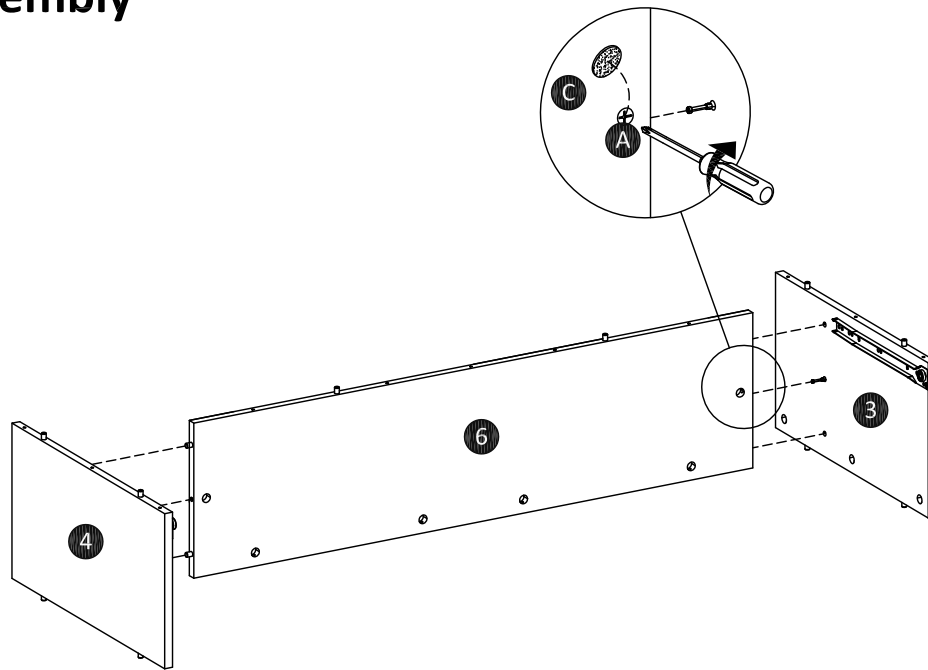
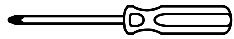
Insert cam-fix (A) and plastic dowel (D) into rear panel (6), large support (7) and small support (8).

# Product assembly

Zappa Coffee Table  
SLZAPCOMEL01

## Step 5

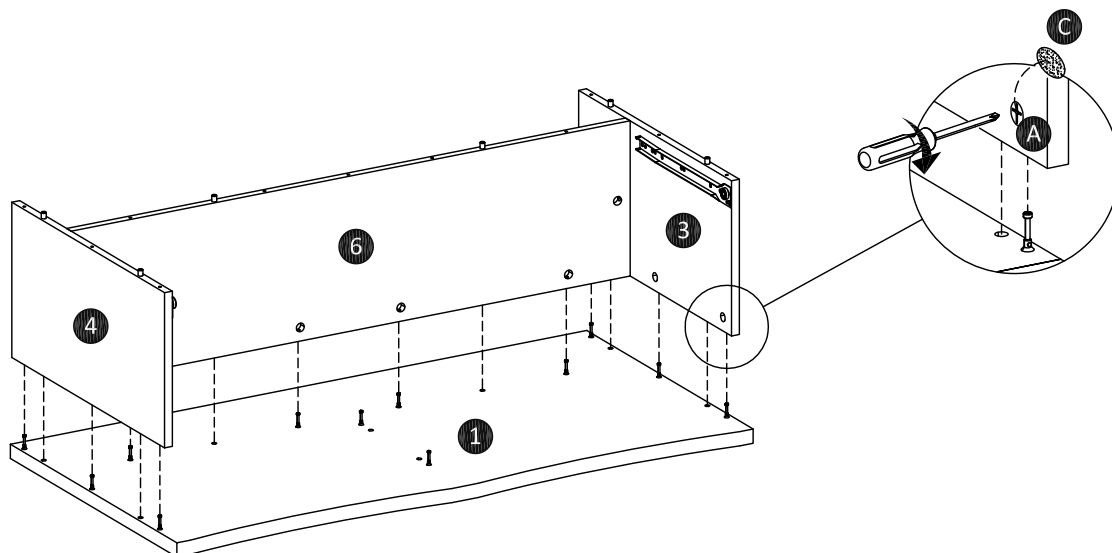
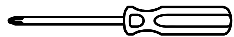
Parts, fittings and tools



Attach left panel (3) and right panel (4) to rear panel (6) as shown.  
Turn the cam-lock (A) clockwise to lock using screwdriver, then paste cam-sticker (C).

## Step 6

Parts, fittings and tools



Attach case assembly to top panel (1) as shown.  
Turn the cam-lock (A) clockwise to lock using screwdriver, then paste cam-sticker (C).

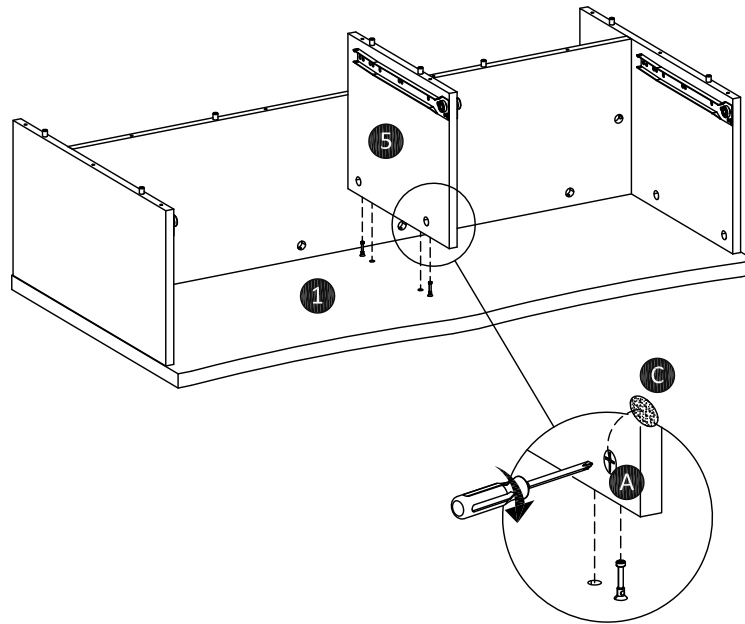
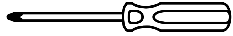


# Product assembly

Zappa Coffee Table  
SLZAPCOMEL01

## Step 7

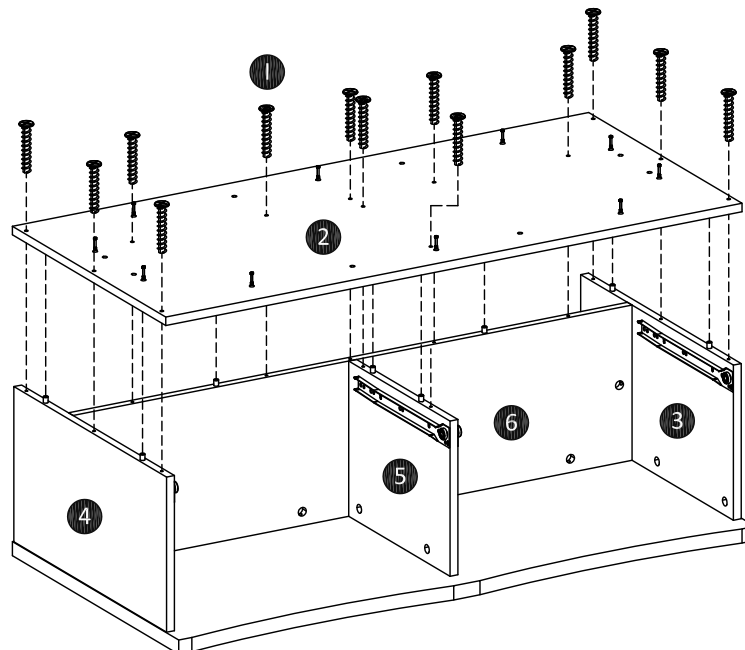
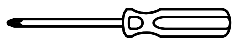
Parts, fittings and tools



Attach divider panel (5) to top panel (1) as shown.  
Turn the cam-lock (A) clockwise to lock using screwdriver, then paste cam-sticker (C).

## Step 8

Parts, fittings and tools



Attach bottom panel (2) to case assembly using screws (I).

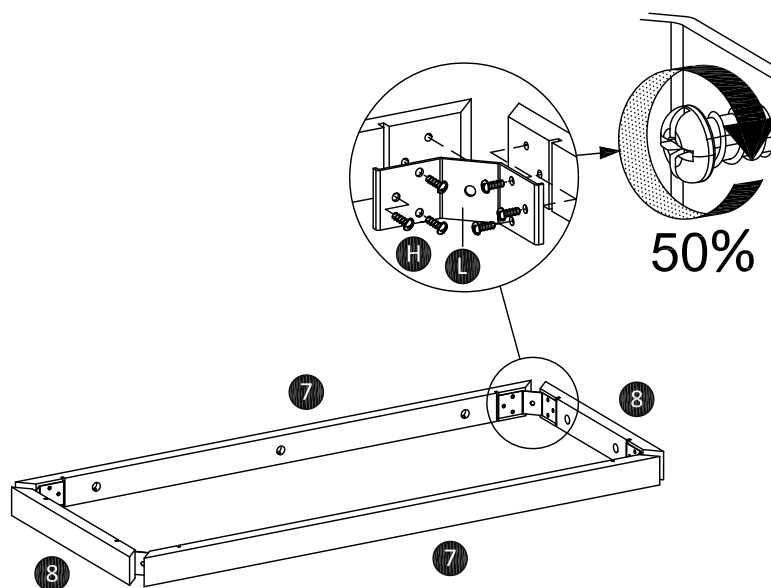
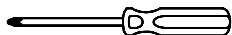
# Product assembly

Zappa Coffee Table  
SLZAPCOMEL01

## Step 9

Parts, fittings and tools

7 8 H L

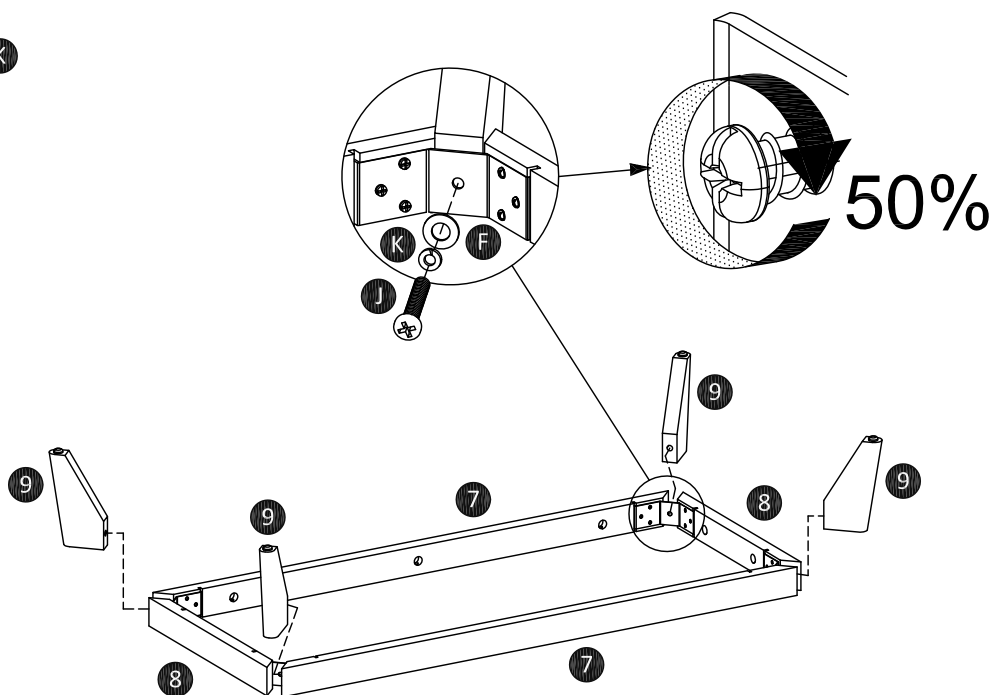
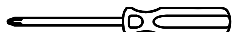


Attach corner brace (L) on the between large support (7) and small support (8) using screws (H). Tighten the screws about 50% before fixed.

## Step 10

Parts, fittings and tools

7 8 9 F J K



Attach leg (9) on the between large support (7) and small support (8) using screws (J), washer plate (F) and washer (K). Tighten the screws about 50% before fixed.

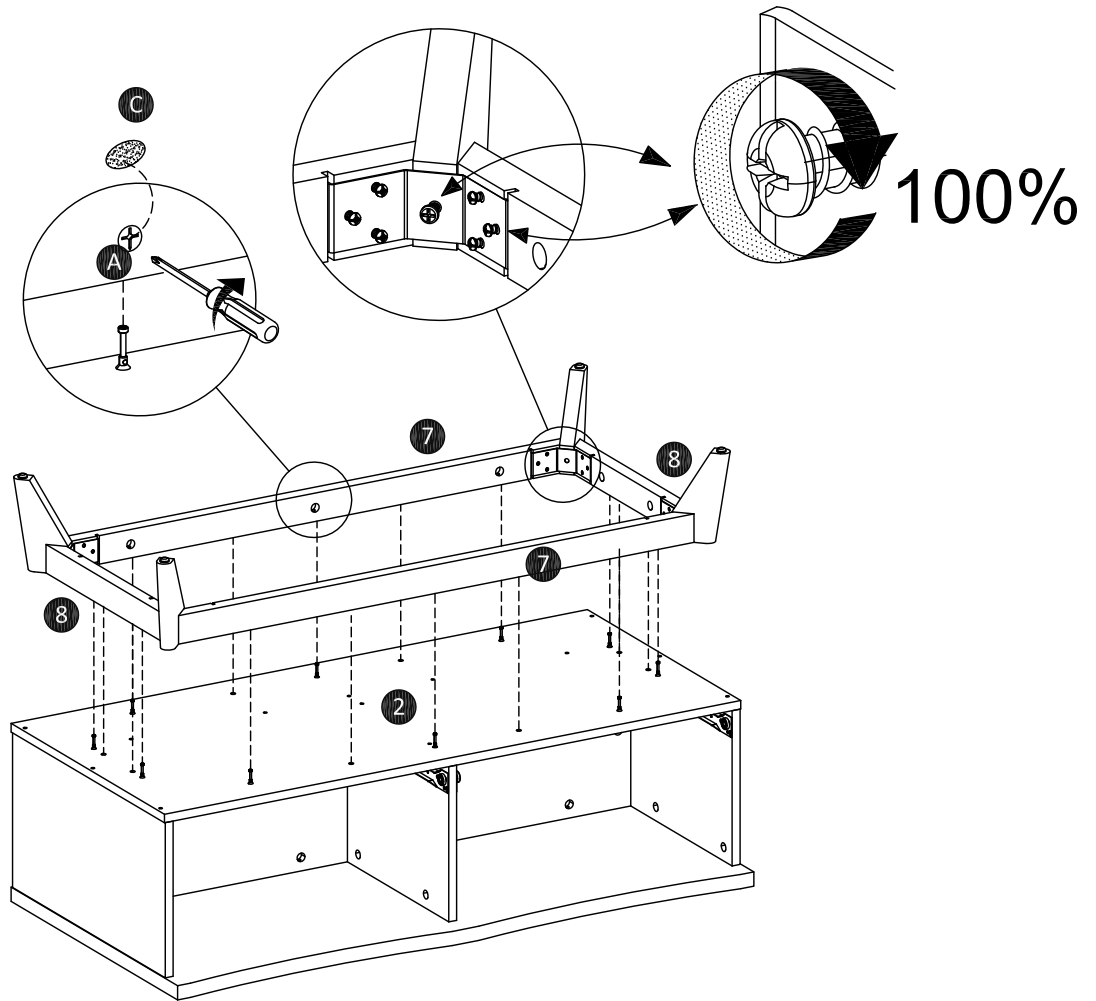
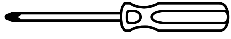
# Product assembly

Zappa Coffee Table  
SLZAPCOMEL01

## Step 11

Parts, fittings and tools

2 7 8 A C



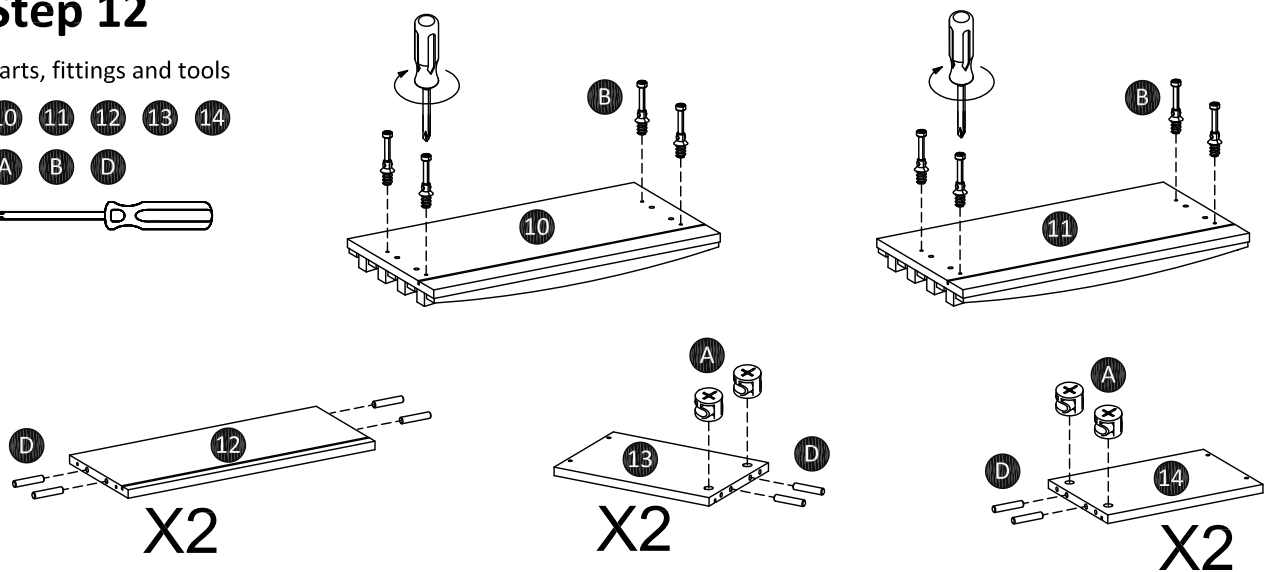
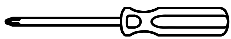
Attach support assembly to bottom panel (2) as shown.  
Turn the cam-lock (A) clockwise to lock using screwdriver, then paste cam-sticker (C).  
Tighten screws (H) and (J) around corner brace and fixed it.

## Step 12

Parts, fittings and tools

10 11 12 13 14

A B D



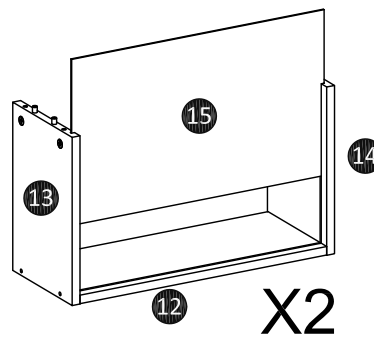
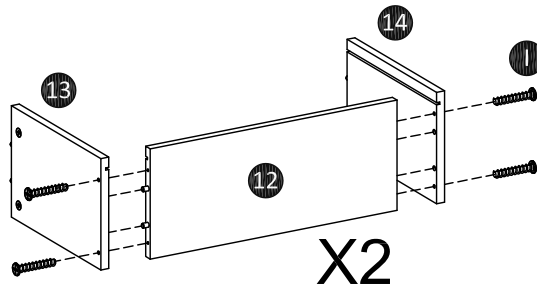
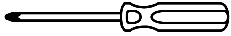
Attach cam-bolt (B) left front drawer (10) and right front drawer (11) using screwdriver.  
Insert cam-lock (A) into left drawer (13) and right drawer (14).  
Insert plastic dowel (D) into rear drawer (12), left drawer (13) and right drawer (14).

# Product assembly

Zappa Coffee Table  
SLZAPCOMEL01

## Step 13

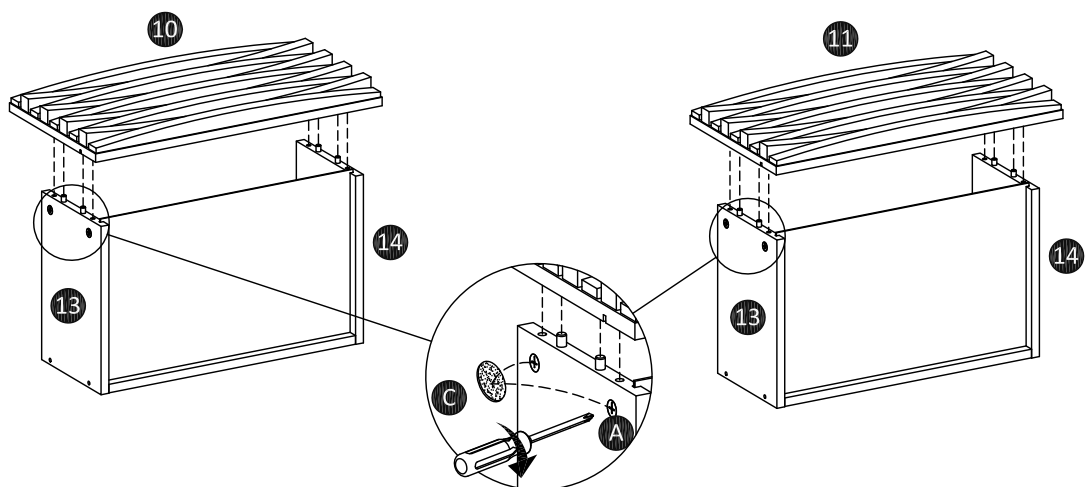
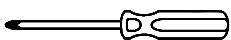
Parts, fittings and tools



Attach left drawer (13) and right drawer (14) to rear drawer (12) using screws (I).  
Insert bottom drawer (15) into assembly drawer as shown.

## Step 14

Parts, fittings and tools



Attach left front drawer (10) and right front drawer (11) to assembly drawer as shown.  
Turn the cam-lock (A) clockwise to lock using screwdriver, then paste cam-sticker (C).

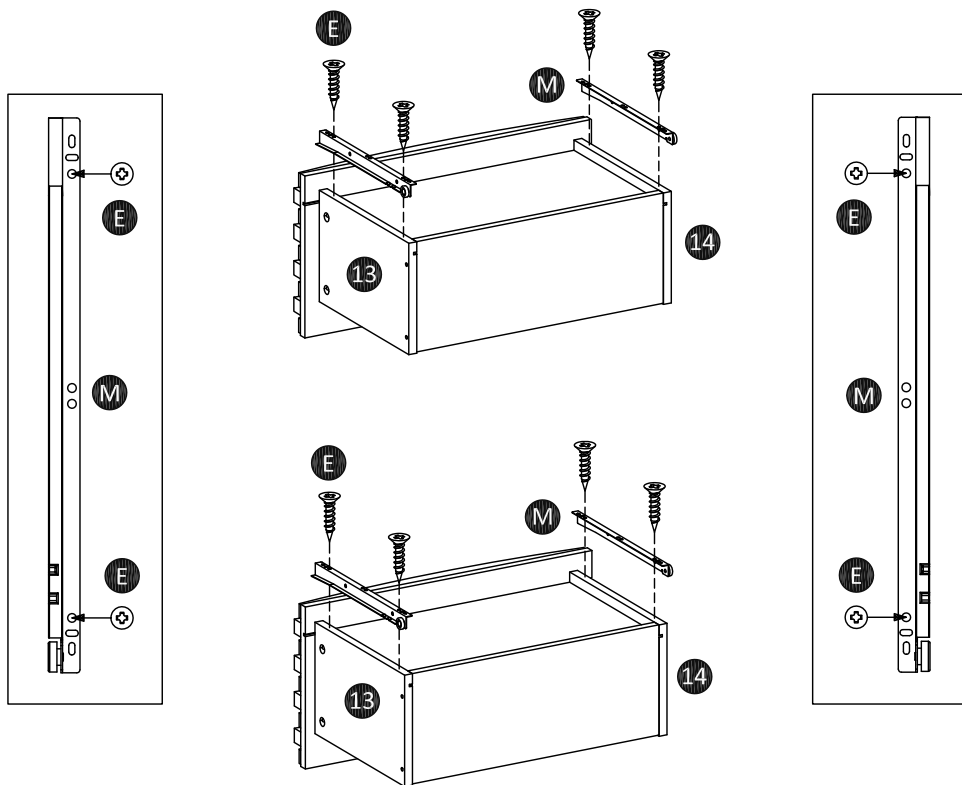
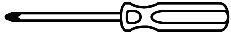
# Product assembly

Zappa Coffee Table  
SLZAPCOMEL01

## Step 15

Parts, fittings and tools

13 14 E M

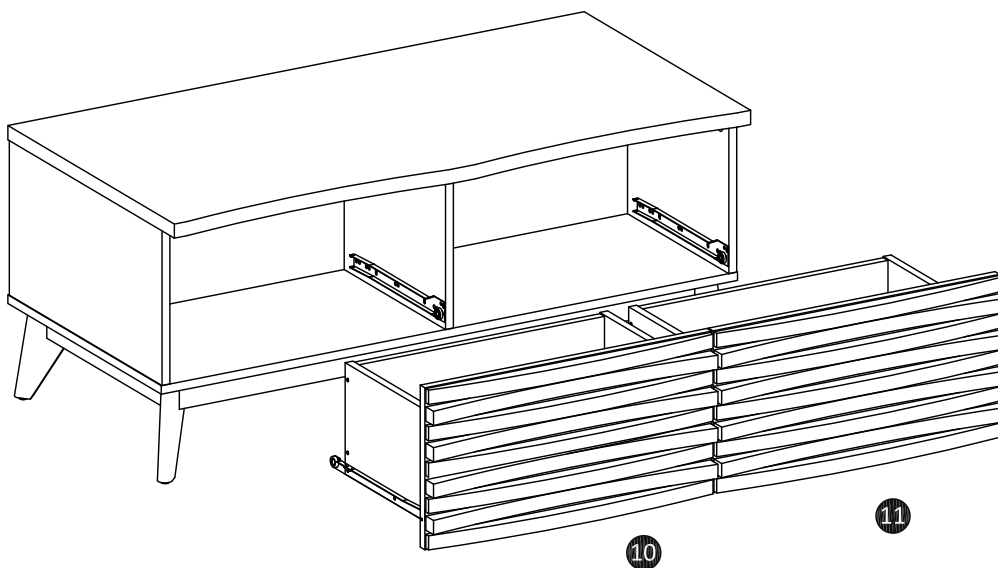


Attach drawer rail (M) to left drawer (13) and right drawer (14) using screw (E).

## Step 16

Parts, fittings and tools

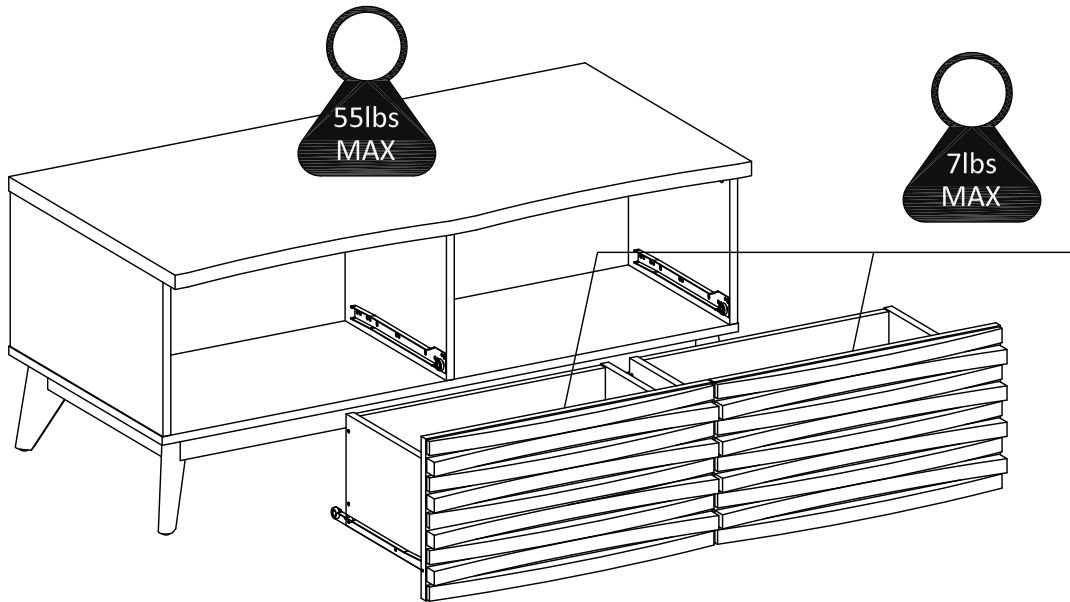
10 11



Insert assembly drawer into case assembly as shown.

# Product assembly

Zappa Coffee Table  
SLZAPCOMEL01



## Care and maintenance

### Wood furniture

Wood displays different grain patterns depending on which way they are cut - for example, the 'medullary ray' which can appear on oak furniture is a mark of good quality timber - these are just characteristics of natural beauty of the wood. Some furniture is also deliberately aged and rustic, wood veneers also allow a distinctive pattern to be created on some surface, such as tabletops and drawer fronts by the way slivers are arranged.

### How to care for your wood furniture

Furniture with a hard lacquer, wax polish or painted surface should be dusted with a dry cloth. Waxed furniture will need to be given a coat of beeswax a couple of times a year to help maintain its lustre.

Spray polishes are best avoided as they contain silicones which may spoil the furniture's surface when building up over time.

Make sure all surfaces are protected from the heat and liquids by mats and coasters. Wipe up spills immediately and ensure that a mat or pad is placed under paper if you are writing.

Our furniture will endure most temperatures in the home, but it is best to avoid placing furniture next to heat sources such as radiators or fires. Be particularly careful with solid wood as the lack of humidity caused by home heating can cause damage such as warping.

### Caution

This wood has a painted surface that can scratch. Please avoid contact with hard, sharp objects. Avoid placing plant pots or vases without waterproof mats to prolong the life of the product.

**Please do not sit or lean on this product.**

**Maximum Load Capacity:** 55 lbs for the top surface, 7 lbs for each drawer.

Retain these instructions for furniture reference.

**Your feedback is very important to us and we would love to hear your comments on your new furniture. Please visit our website to leave a review. Thank you.**