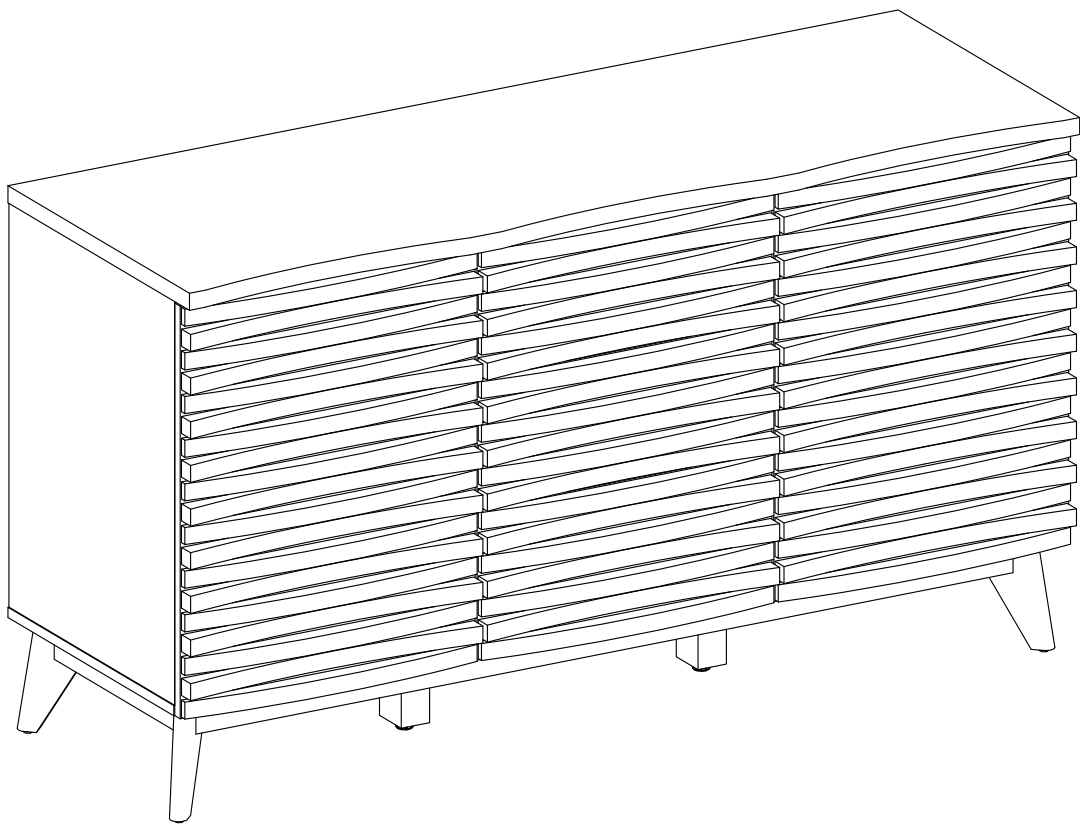


**Studio  
London.**

**Zappa Sideboard - Oak Finish**  
Stock number: SLZAPSBMEL01



**55.7"W x 19.7"D x 31.4"H**

Congratulations on your purchase from Studio London!

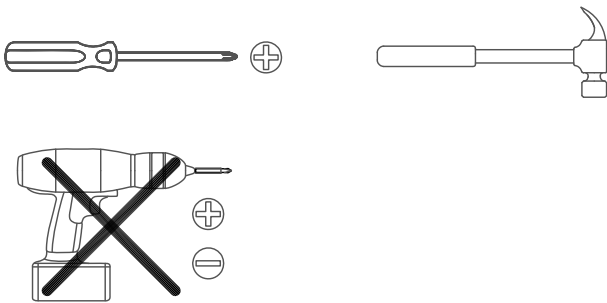
In buying one of our quality products, you now own an item we sincerely hope you will love for years to come, without it coating the earth.

Responsibility is one of our core brand values. For every item sold, a tree is planted. Additionally, we invest in carbon reducing schemes, ensure all our materials are sustainable and responsibly sourced, and audit our suppliers to ensure they are safe, supportive and ethically sound.

We hope you love your item. We would love to hear any feedback or comment.

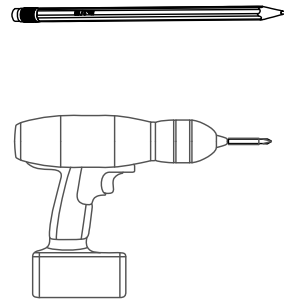
Visit us at [www.studiolondon.net](http://www.studiolondon.net) to comment or to find out more, and please follow us on instagram at [studio\\_london\\_design](https://www.instagram.com/studio_london_design).

### Tools required



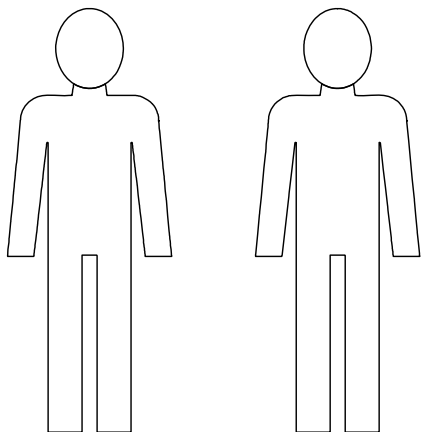
Don't use an electric screwdriver to assemble the cabinet panels.

### Wall attachment



**Time to assemble**  
45 mins

**People to assemble**



## Important safety information

### Warnings

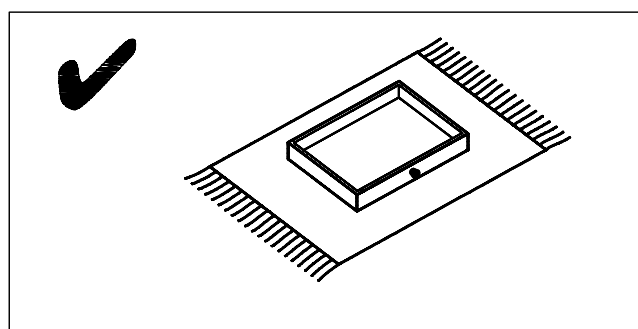
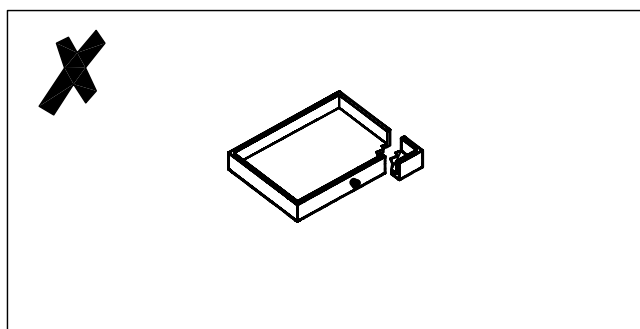
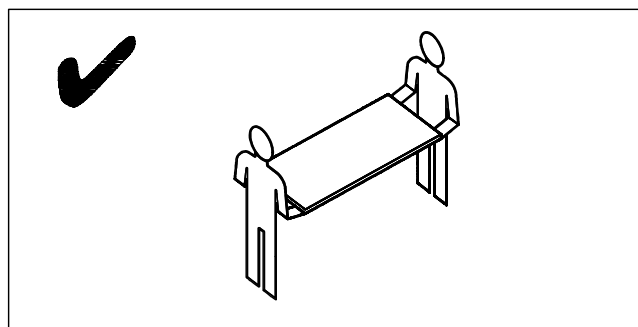
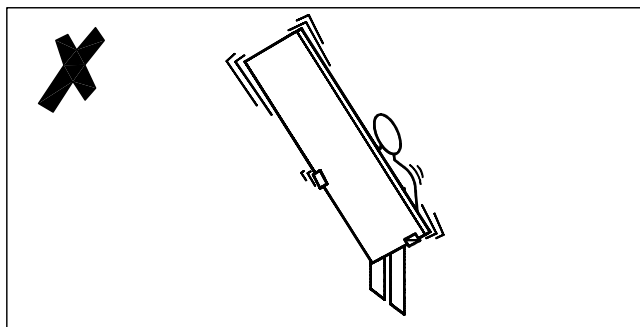
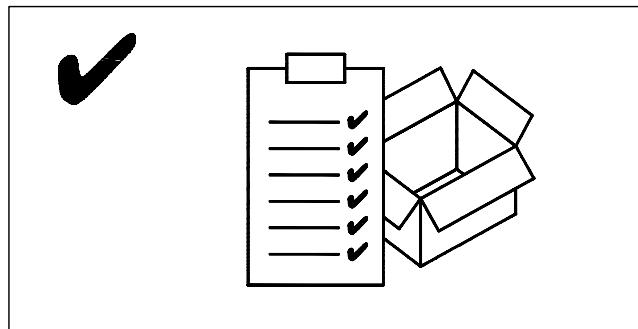
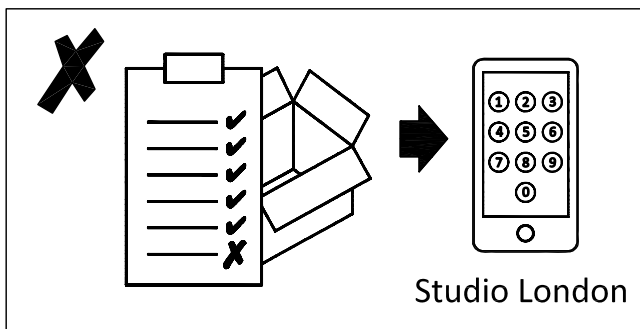
- ⚠ **This product is not suitable for bedrooms.**
- ⚠ The product should only be used on firm, level ground.
- ⚠ Keep small parts out of reach of children.
- ⚠ Ensure the product is fully assembled as illustrated before use.

### Do's

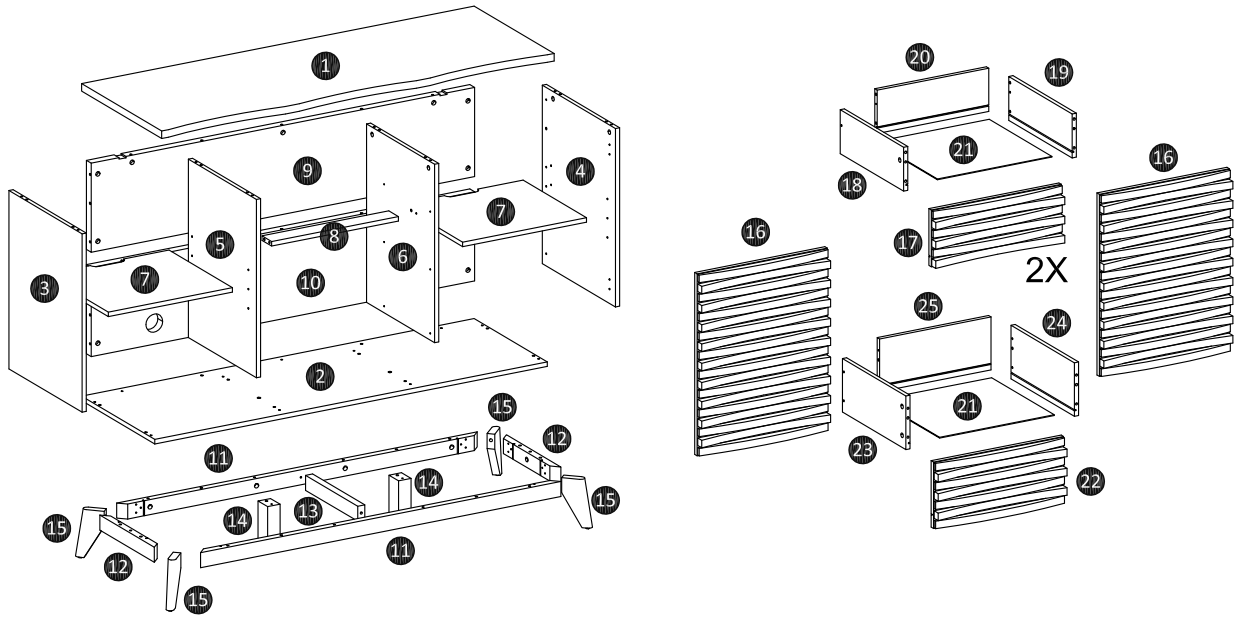
- ✓ Check the pack and make sure you have all the parts listed.
- ✓ Check all screws or bolts are tightened and inspect regularly.
- ✓ Make sure the legs remain in contact with the ground all time.

### Don't

- ✗ Do not over tighten screws or bolts.
- ✗ Do not stand on the product.
- ✗ Do not use power tools to construct as overtightening and panel failure may occur.

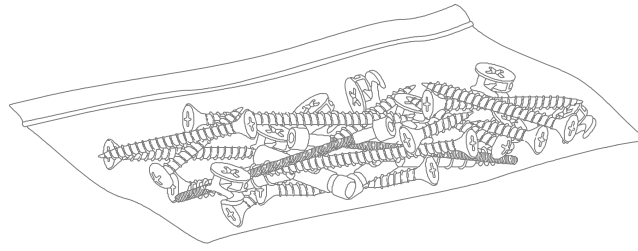


# Your Sideboard



Ref	Description	Dimensions	Qty
1	Top panel	55.7" x 19.7" x 1"	1
2	Bottom panel	55.7" x 18" x 0.6"	1
3	Left panel	23.3" x 18" x 0.6"	1
4	Right panel	23.3" x 18" x 0.6"	1
5	Left divider	23.3" x 16.7" x 0.6"	1
6	Right divider	23.3" x 16.7" x 0.6"	1
7	Adjustable shelf	17.6" x 15.6" x 0.6"	2
8	Drawer support	18" x 2.4" x 0.6"	1
9	Top rear panel	54.4" x 11.6" x 1.2"	1
10	Bottom rear panel	54.4" x 11.6" x 1.2"	1
11	Large support	51.2" x 2" x 1"	2
12	Small support	13.4" x 2" x 1"	2
13	Middle support	12.9" x 2" x 1"	1
14	Middle leg	5.8" x 2.4" x 1.8"	2
15	Side leg	160 x 96 x 25 mm	4
16	Door	23.8 x 18.5" x 1.6"	2
17	Top front drawer	18.5" x 7.4" x 1.6"	2
18	Top left drawer	15.6" x 5.7" x 0.6"	2
19	Top right drawer	15.6" x 5.7" x 0.6"	2
20	Top rear drawer	15.8" x 5.7" x 0.6"	2
21	Bottom drawer	16.3" x 15.4" x 0.1"	3
22	Bottom front drawer	18.5" x 8.7" x 1.6"	1
23	Bottom left drawer	15.6" x 7" x 0.6"	1
24	Bottom right drawer	15.6" x 7" x 0.6"	1
25	Bottom rear drawer	15.8" x 7" x 0.6"	1

# Fixtures and fittings



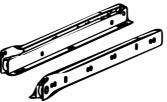
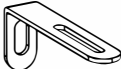



## Fixtures and fittings Supplied (true to size)

Ref	Description	Dimensions	Qty	mm 10 20 30 40 50 60 70 80 90
<b>A</b>	Cam-fix	Dia.15mm	41	
<b>B</b>	Cam-bolt	M7.5 x 32mm	41	
<b>C</b>	Cam-Sticker	Dia.25mm	41	
<b>D</b>	Plastic dowel	M8 x 32mm	61	
<b>E</b>	Screw	M6 x 8mm	12	
<b>F</b>	screw	M10 x 33.5mm	21	
<b>G</b>	screw	M4 x 10mm	32	
<b>H</b>	screw	M6 x 13mm	12	
<b>I</b>	Washer plate	M6 x 13mm	4	
<b>J</b>	Washer	M6 x 10mm	4	
<b>K</b>	Screw	M6 x 20mm	4	
<b>L</b>	Screw	M6 x 10mm	2	

## Fixtures and fittings Supplied (not to scale)

Ref	Description	Dimensions	Qty	
<b>M</b>	Corner braces	N/A	4	
<b>N</b>	Shelf support	N/A	8	

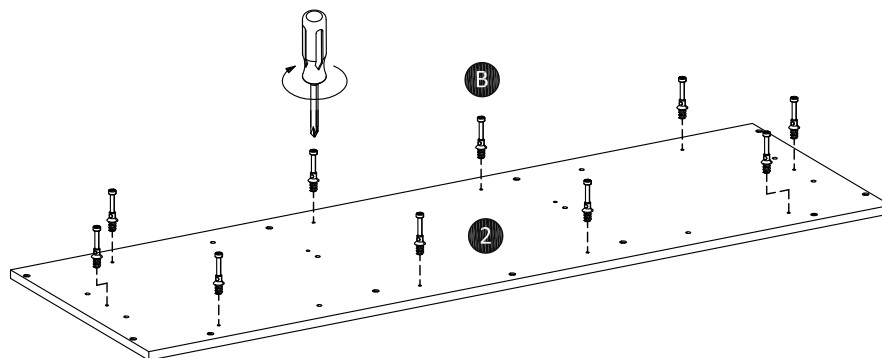
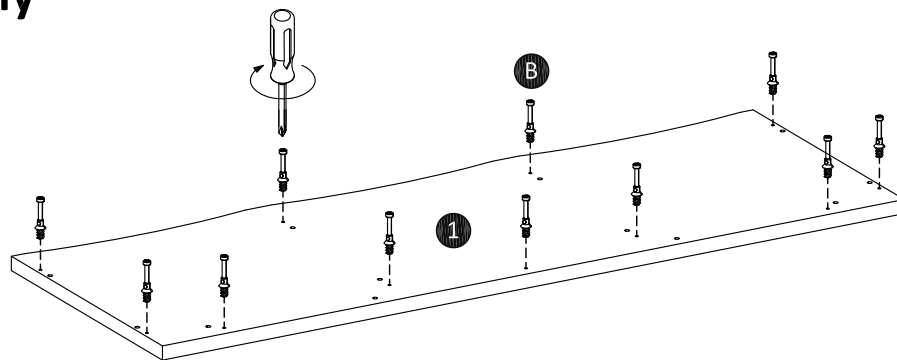
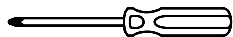
Ref	Description	Dimensions	Qty	
<b>O</b>	Door Hinge	N/A	4	
<b>P</b>	Cable holder	N/A	4	
<b>Q</b>	Drawer rail	N/A	2	
<b>R</b>	Wall bracket	N/A	2	
<b>S</b>	Cable Clamp	N/A	2	

# Product assembly

Zappa Sideboard  
SLZAPSBMEL01

## Step 1

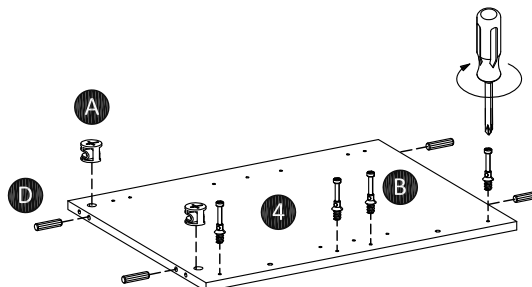
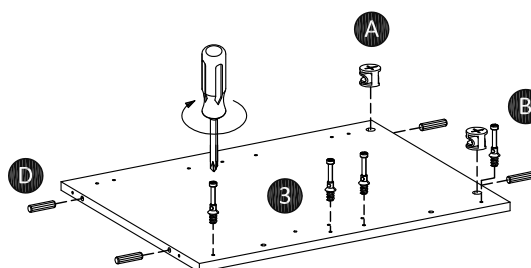
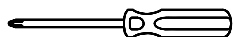
Parts, fittings and tools



Attach cam-bolt (B) to top panel (1) and bottom panel (2) using screwdriver.

## Step 2

Parts, fittings and tools



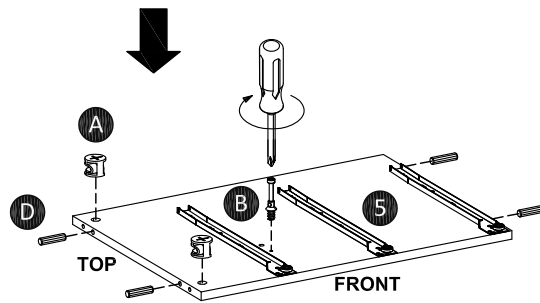
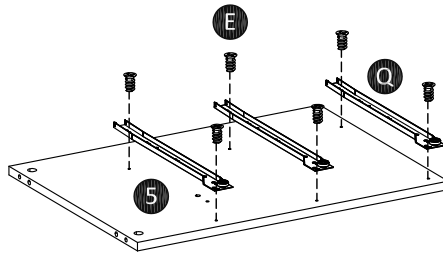
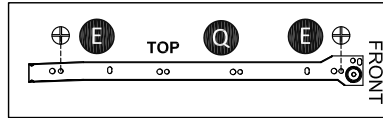
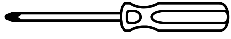
Attach cam-bolt (B) to left panel (3) and right panel (4) using screwdriver.  
Insert cam-fix (A) and plastic dowel (D) into left panel (3) and right panel (4).

# Product assembly

Zappa Sideboard  
SLZAPSBMEL01

## Step 3

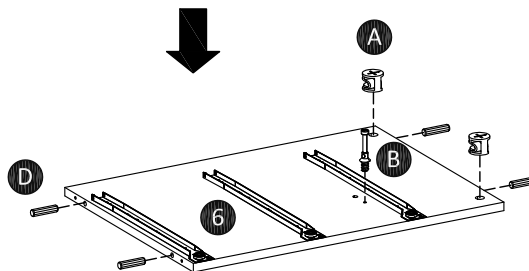
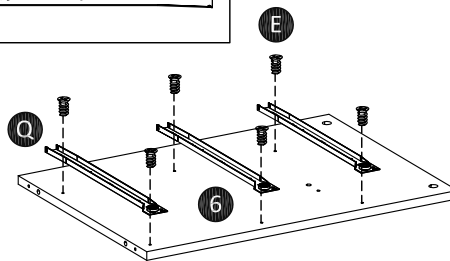
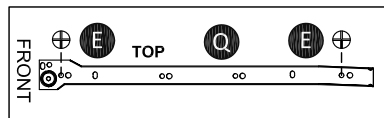
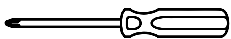
Parts, fittings and tools



Attach drawer rails (Q) to left divider (5) using screws (E).  
Attach cam-bolt (B) to left divider (5) using screwdriver.  
Insert cam-fix (A) and plastic dowel (D) into left divider (5).

## Step 4

Parts, fittings and tools



Attach drawer rails (Q) to right divider (6) using screws (E).  
Attach cam-bolt (B) to right divider (6) using screwdriver.  
Insert cam-fix (A) and plastic dowel (D) into right divider (6).

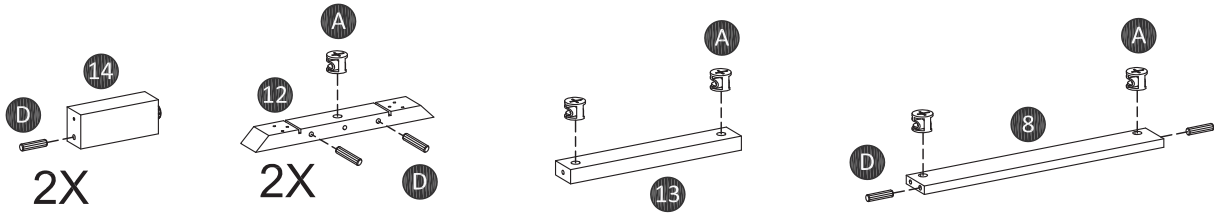
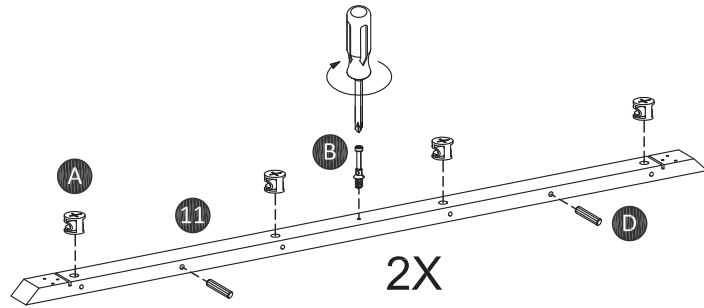
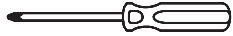


# Product assembly

Zappa Sideboard  
SLZAPSBMEL01

## Step 5

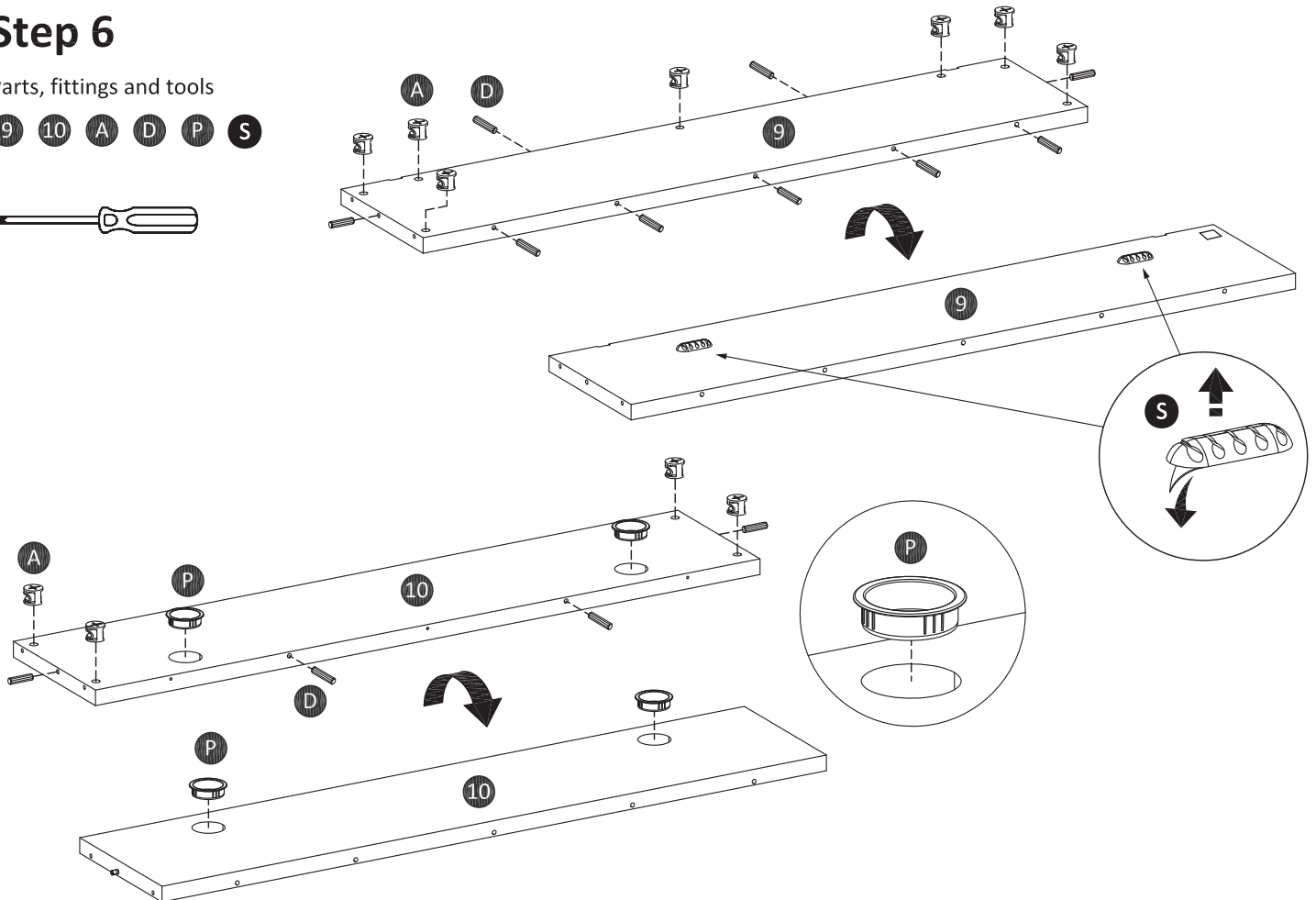
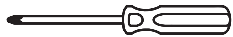
Parts, fittings and tools



Attach cam-bolt (B) to large support (11) using screwdriver.  
Insert cam-fix (A) into drawer support (8), large support (11), small support (12) and middle support (13).  
Insert dowel (D) into drawer support (8), large support (11), small support (12) and middle leg (14).

## Step 6

Parts, fittings and tools



Insert cam-fix (A) and plastic dowel (D) into top rear panel (9) and bottom rear panel (10).  
Attach cable clamp (S) on the back of top rear drawer (9) as shown.  
Insert cable holder (P) into bottom rear panel (10).

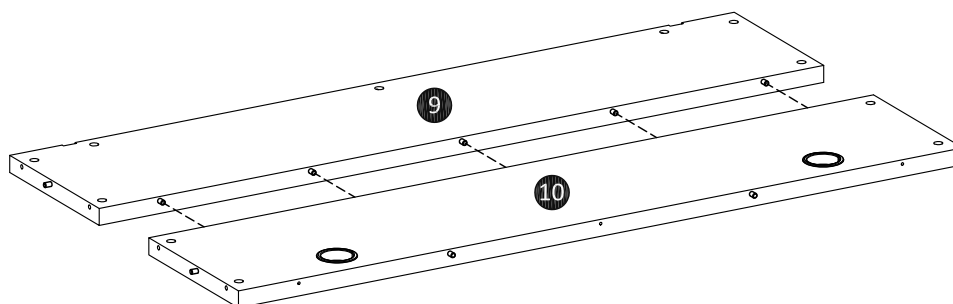
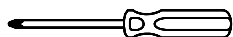
# Product assembly

Zappa Sideboard  
SLZAPSBMEL01

## Step 7

Parts, fittings and tools

9 10



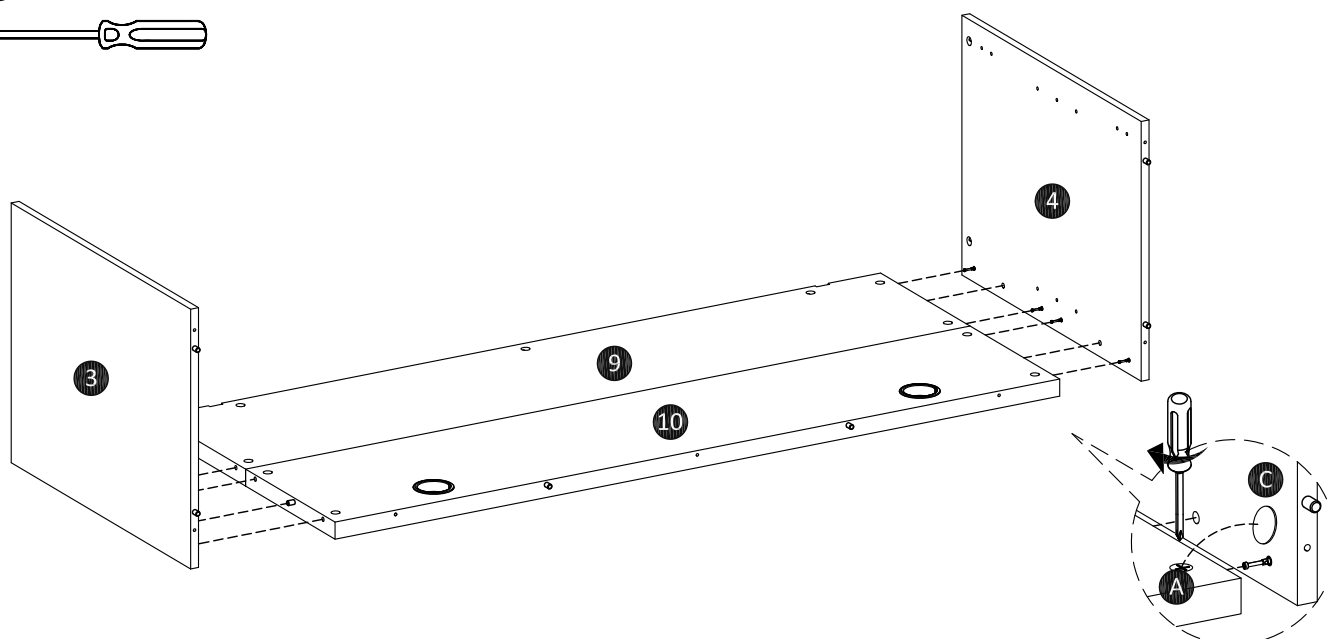
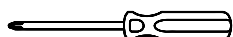
Install bottom rear panel (10) with top rear panel (9) as shown.

## Step 8

Parts, fittings and tools

3 4 9 10 A

C



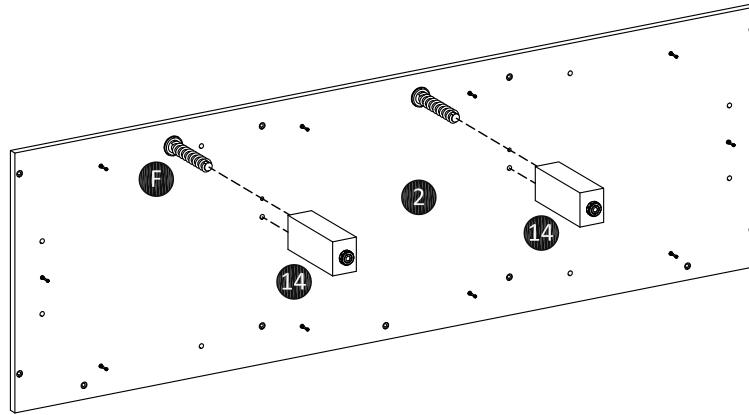
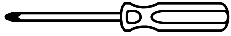
Attach left panel (3) and right panel (4) to top rear panel (9) and bottom rear panel (10) as shown.  
Turn the cam-lock (A) clockwise to lock using screwdriver, then paste cam-sticker (C).

# Product assembly

Zappa Sideboard  
SLZAPSBMEL01

## Step 9

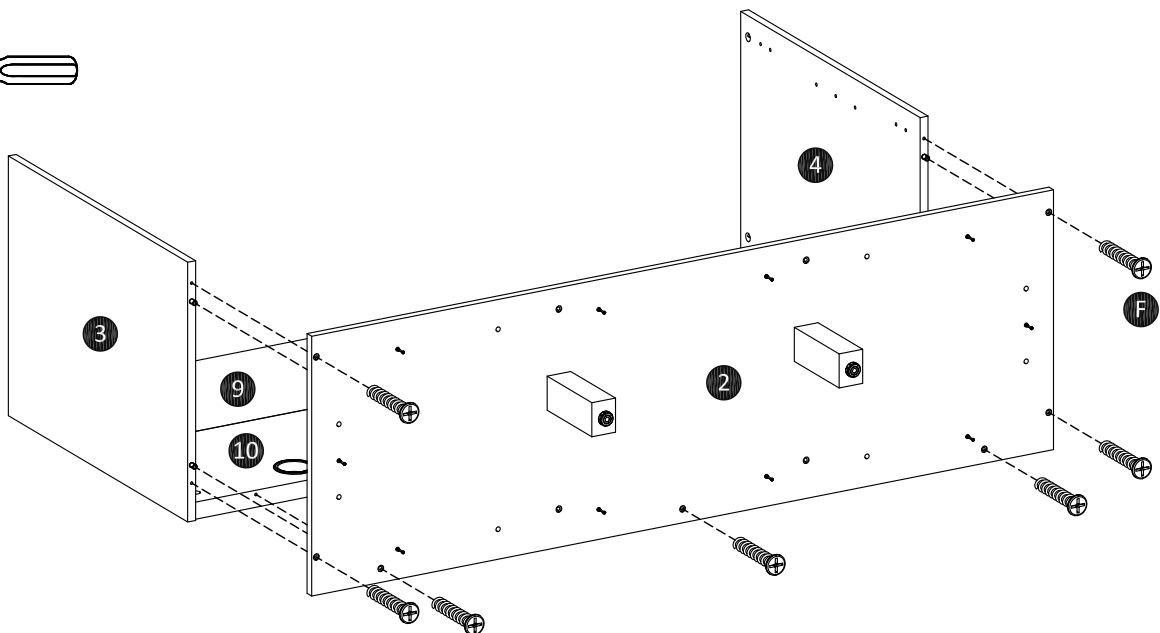
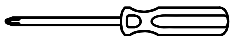
Parts, fittings and tools



Attach middle legs (14) to bottom panel (2) using screws (F).

## Step 10

Parts, fittings and tools



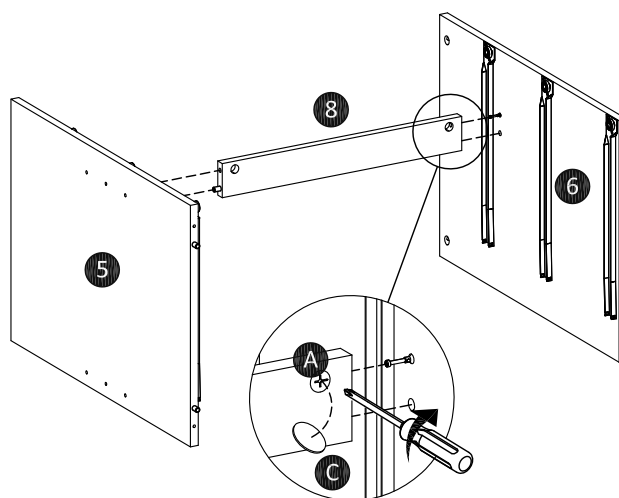
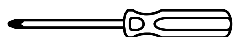
Attach bottom panel (2) to case assembly using crew (F).

# Product assembly

Zappa Sideboard  
SLZAPSBMEL01

## Step 11

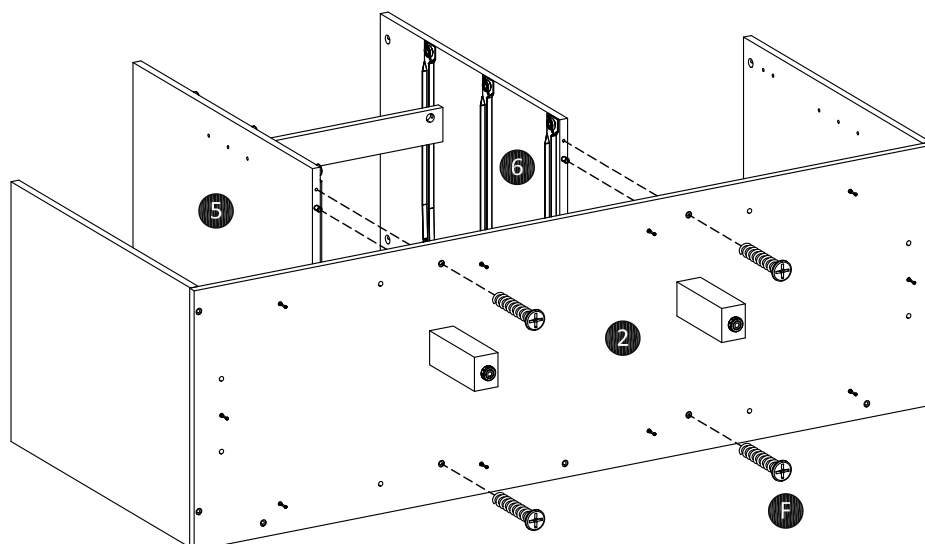
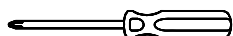
Parts, fittings and tools



Attach left divider (5) and right divider (6) to drawer support (8) as shown.  
Turn the cam-lock (A) clockwise to lock using screwdriver, then paste cam-sticker (C).

## Step 12

Parts, fittings and tools



Attach assembly divider to case assembly using screws (F) as shown.

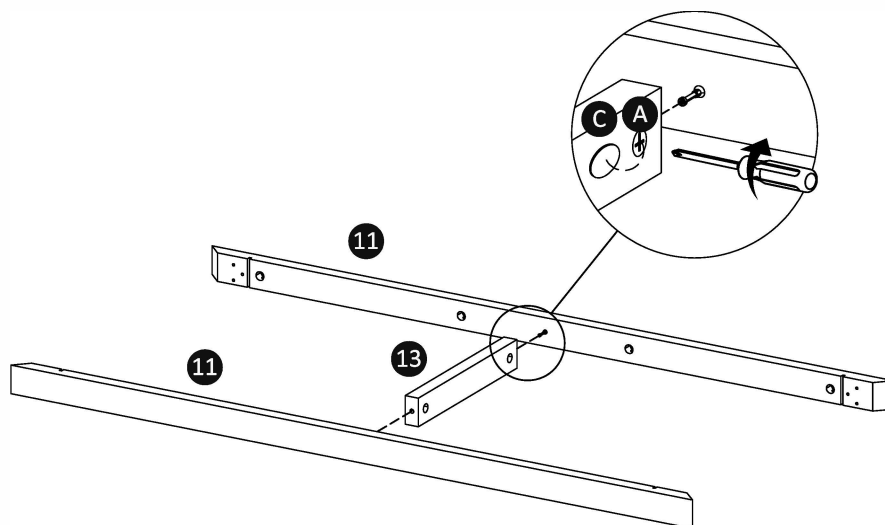
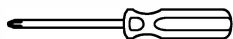
# Product assembly

Zappa Sideboard  
SLZAPSBMEL01

## Step 13

Parts, fittings and tools

11 13 A C

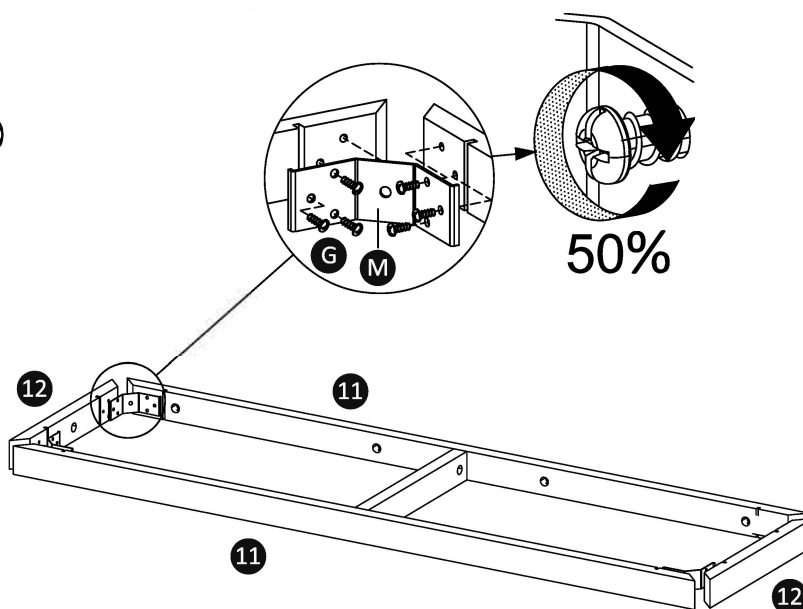
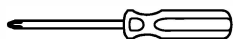


Attach large supports (11) to middle support (13) as shown.  
Turn the cam-lock (A) clockwise to lock using screwdriver, then paste cam-sticker (C).

## Step 14

Parts, fittings and tools

11 12 G M



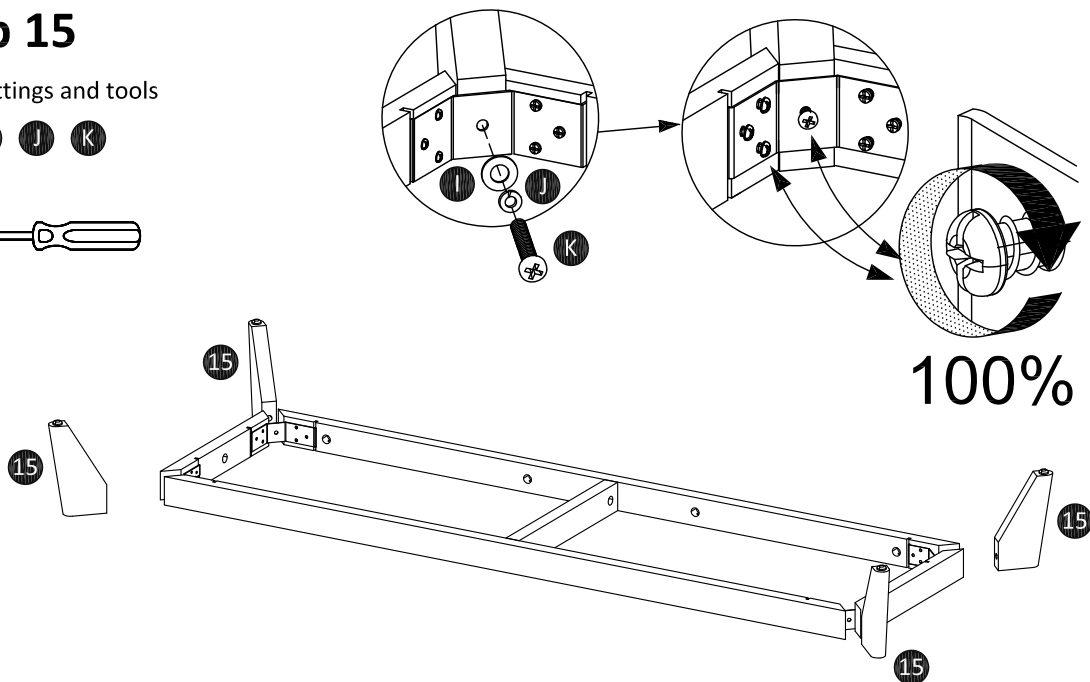
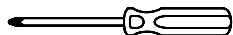
Attach corner brace (M) on the between large support (11) and small support (12) using screws (G). Tighten the screws about 50% before fixed.

# Product assembly

Zappa Sideboard  
SLZAPSBMEL01

## Step 15

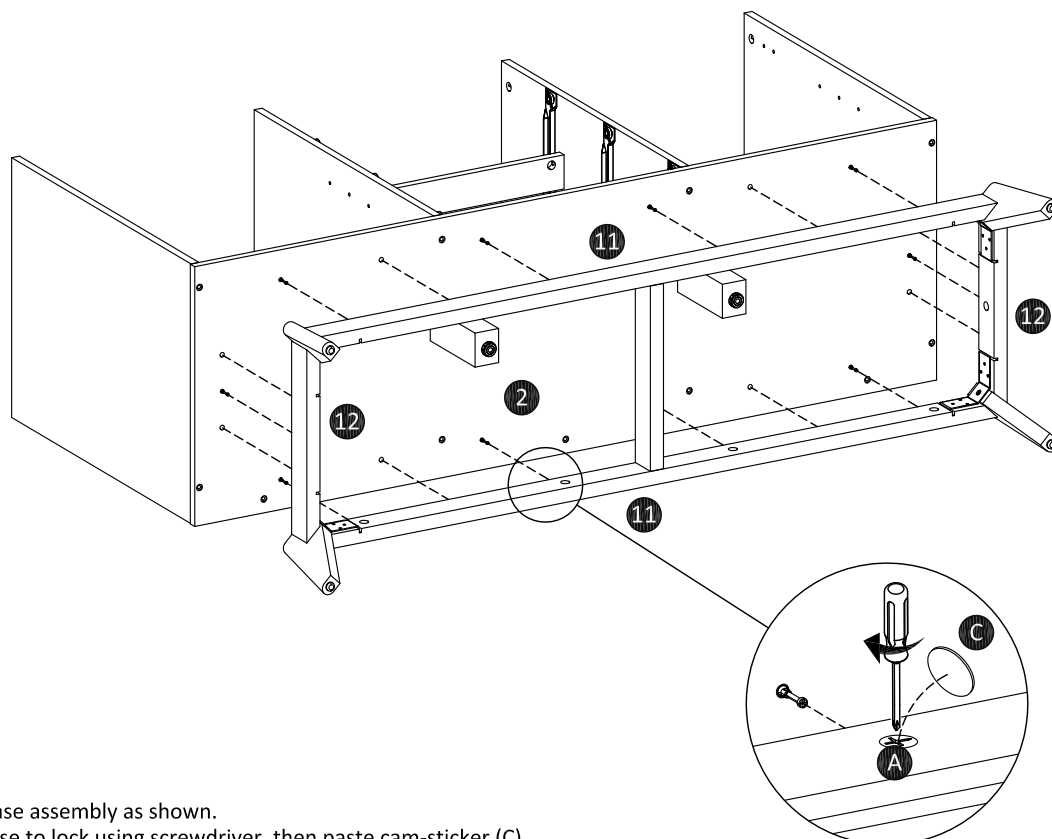
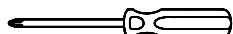
Parts, fittings and tools



Attach side leg (15) to corner braces using screws (K), washer plate (I) and washer (J). Tighten screws (G) and (K) around corner brace and fixed it.

## Step 16

Parts, fittings and tools



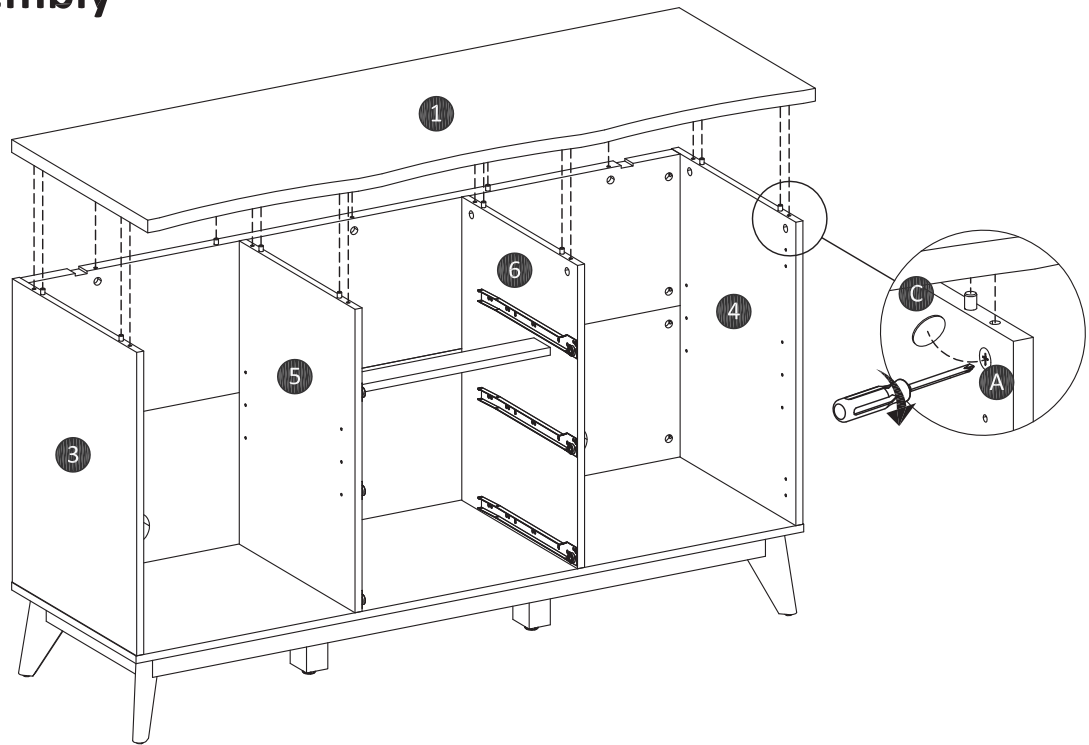
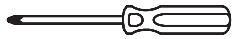
Attach assembly bottom to case assembly as shown.  
Turn the cam-lock (A) clockwise to lock using screwdriver, then paste cam-sticker (C).

# Product assembly

Zappa Sideboard  
SLZAPSBMEL01

## Step 17

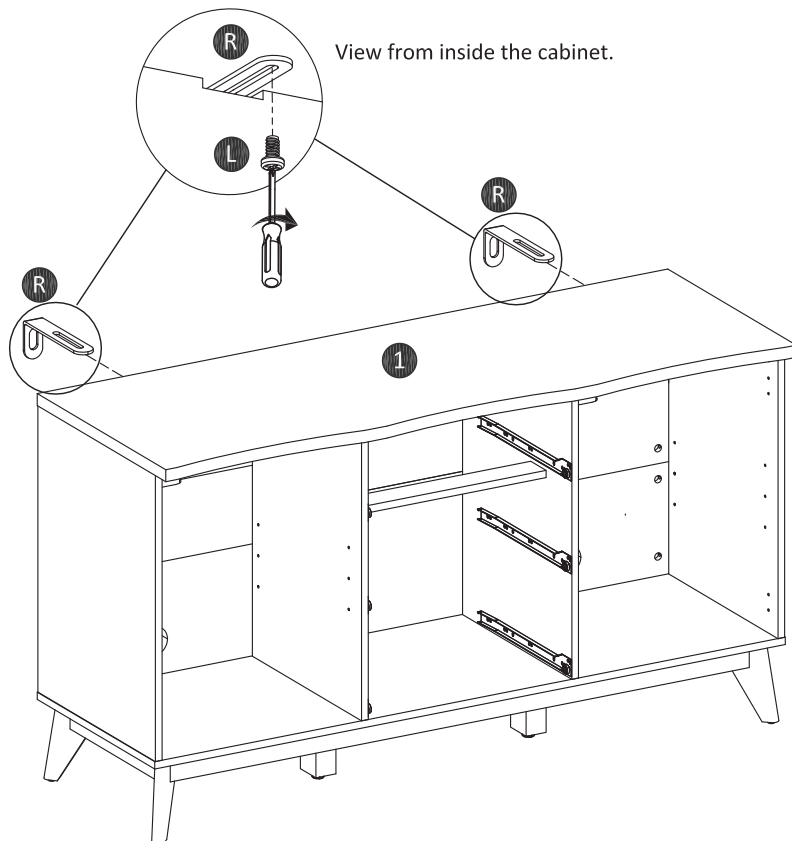
Parts, fittings and tools



Attach top panel (1) to case assembly as shown.  
Turn the cam-lock (A) clockwise to lock using screwdriver, then paste cam-sticker (C).

## Step 18

Parts, fittings and tools



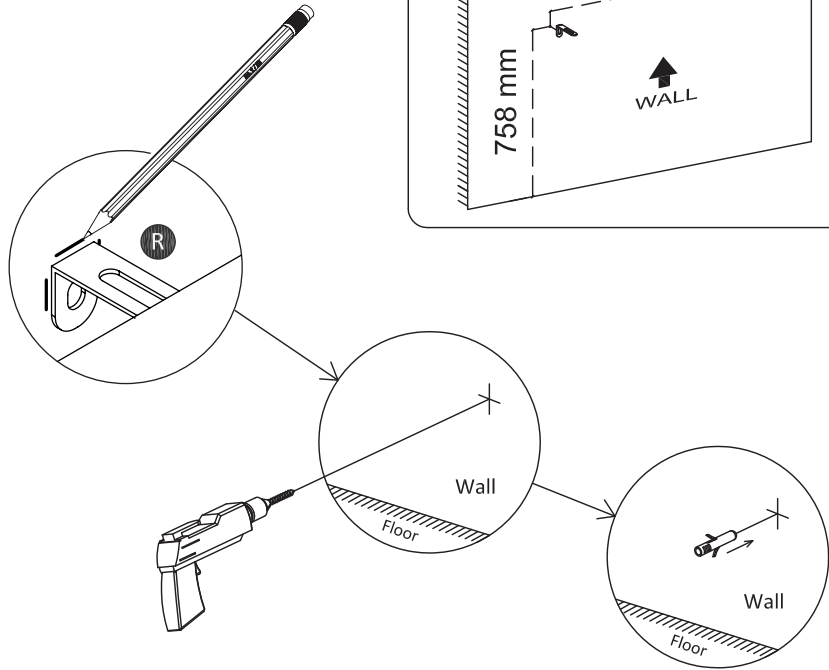
Locate wall brackets (R) in the slots of case assembly, then fasten to the inside of case assembly with screws (L) using screwdriver.

# Product assembly

Zappa Sideboard  
SLZAPSBMEL01

## Step 19

Parts, fittings and tools



Reposition the wall bracket with a pencil where the screw holes are going to be located. Before drilling, ensure the size of holes will be correct to fit the rawl plugs (not included).

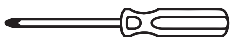
Warning: Ensure the area to be drilled is free from hidden electrical wires, water and gas pipes.

Caution: The wall fixings supplied are for solid brick walls only.

Drill the holes according to the marked position. Push the rawl plugs (not included) into position as shown above.

## Step 20

Parts, fittings and tools



Secure the wall brackets (R) to the wall using the washers (not included) and screws (not included). Tighten with the screwdriver.

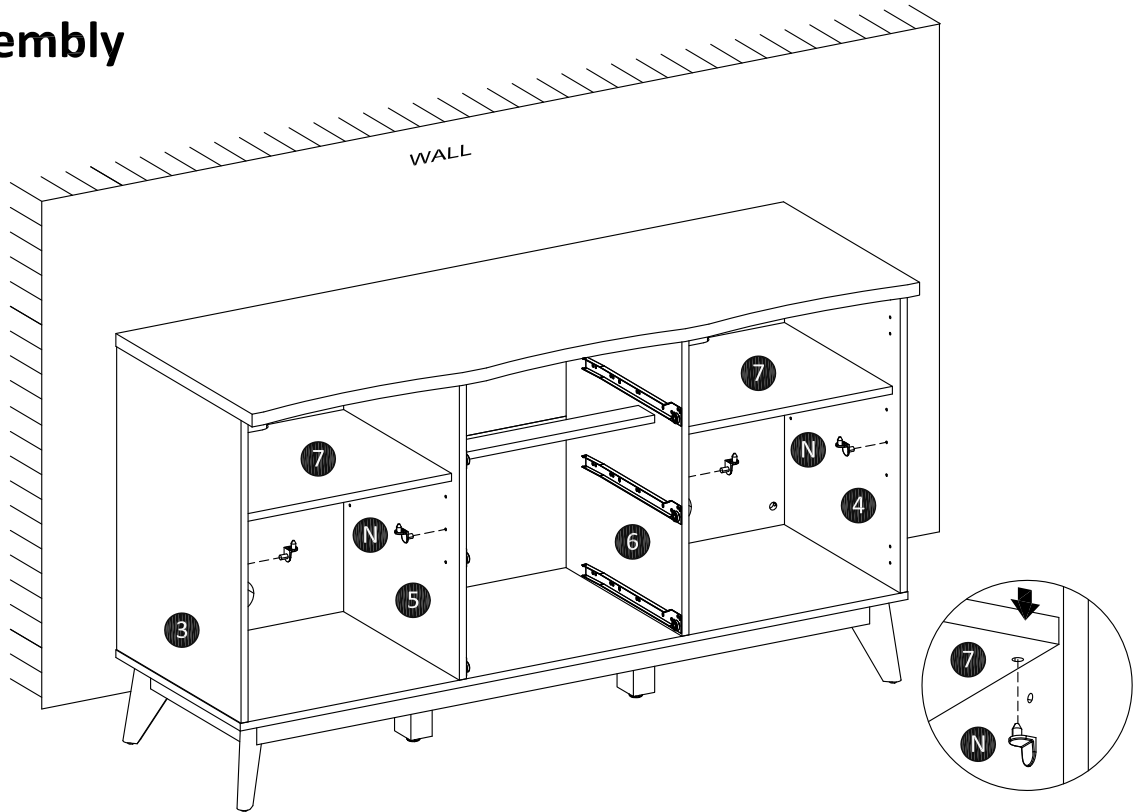


# Product assembly

Zappa Sideboard  
SLZAPSBMEL01

## Step 21

Parts, fittings and tools

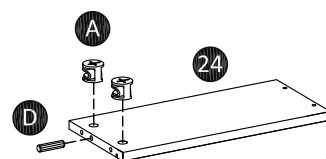
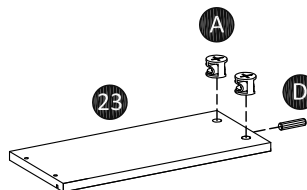
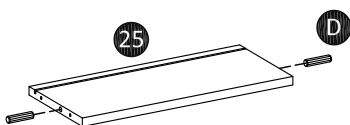
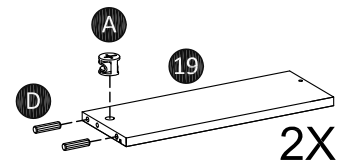
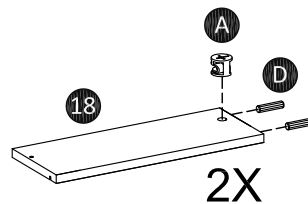
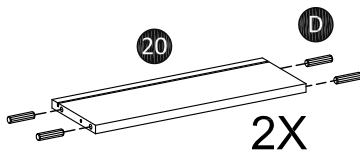
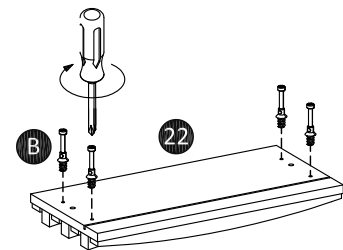
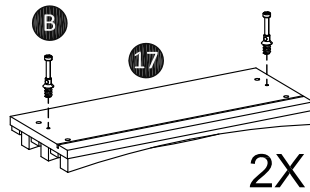
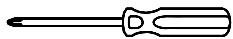


View from under shelves.

Insert shelf support (N) into case assembly as shown.  
Insert adjustable shelf (7) into case assembly as shown.

## Step 22

Parts, fittings and tools



Attach cam-bolt (B) to top front drawer (17) and bottom front drawer (22) using screwdriver.  
Insert cam-fix (A) into top left drawer (18), top right drawer (19), bottom left drawer (23) and bottom right drawer (24).  
Insert dowel (D) into top left drawer (18), top right drawer (19), bottom rear drawer (20), bottom left drawer (23), bottom right drawer (24) and bottom rear drawer (25).

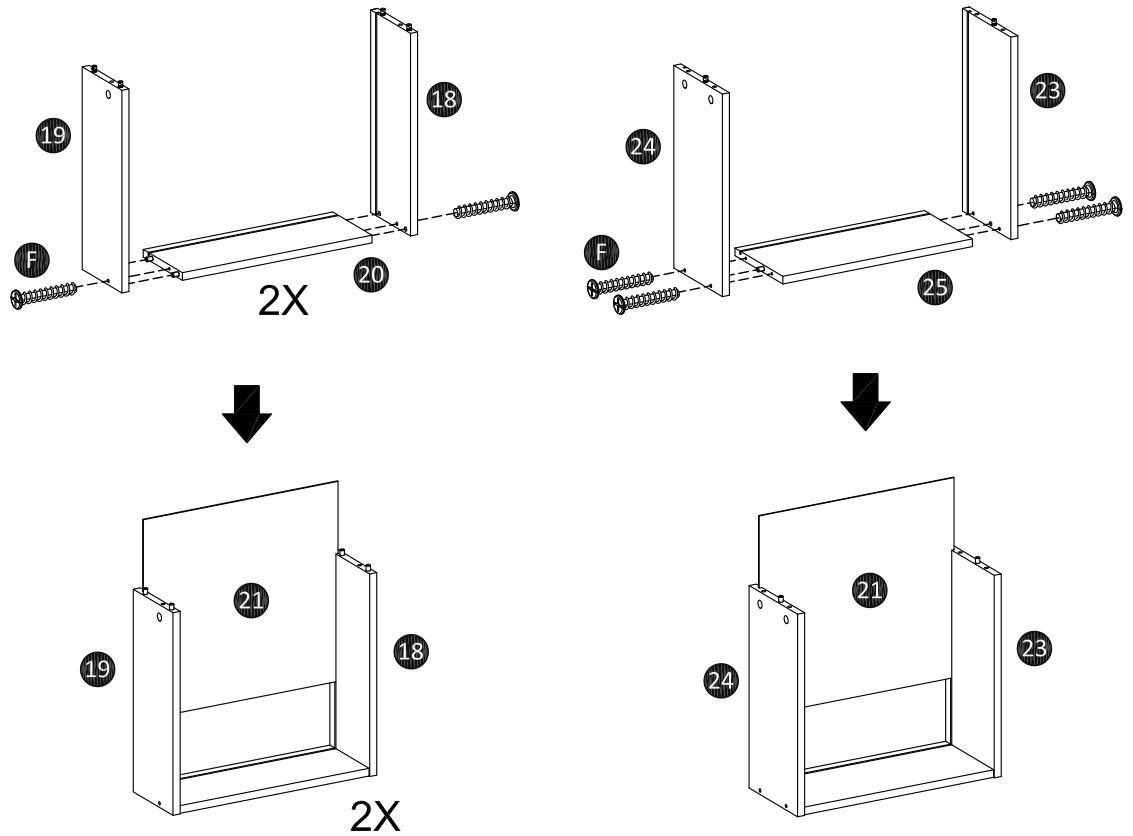
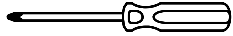
# Product assembly

Zappa Sideboard  
SLZAPSBMEL01

## Step 23

Parts, fittings and tools

- 18 19 20 21 23
- 24 25 F



Attach top left drawer (18) and top right drawer (19) to bottom rear drawer (20) using screws (F).

Insert bottom drawer (21) into assembly top drawer as shown.

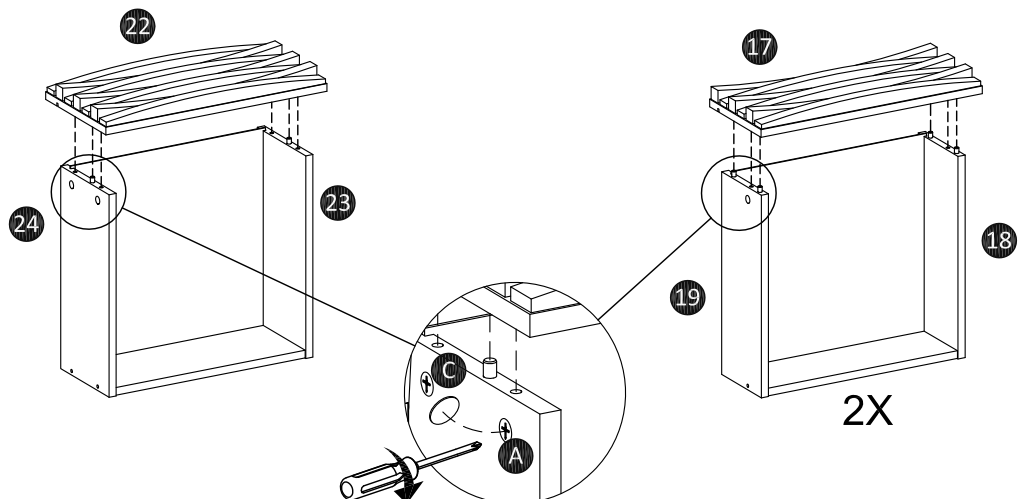
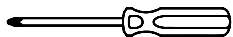
Attach bottom left drawer (23) and bottom right drawer (24) to bottom rear drawer (25) using screws (F).

Insert bottom drawer (21) into assembly bottom drawer as shown.

## Step 24

Parts, fittings and tools

- 17 18 19 22 23
- 24 A C



Attach top front drawer (17) and bottom front drawer (22) to assembly drawer as shown.

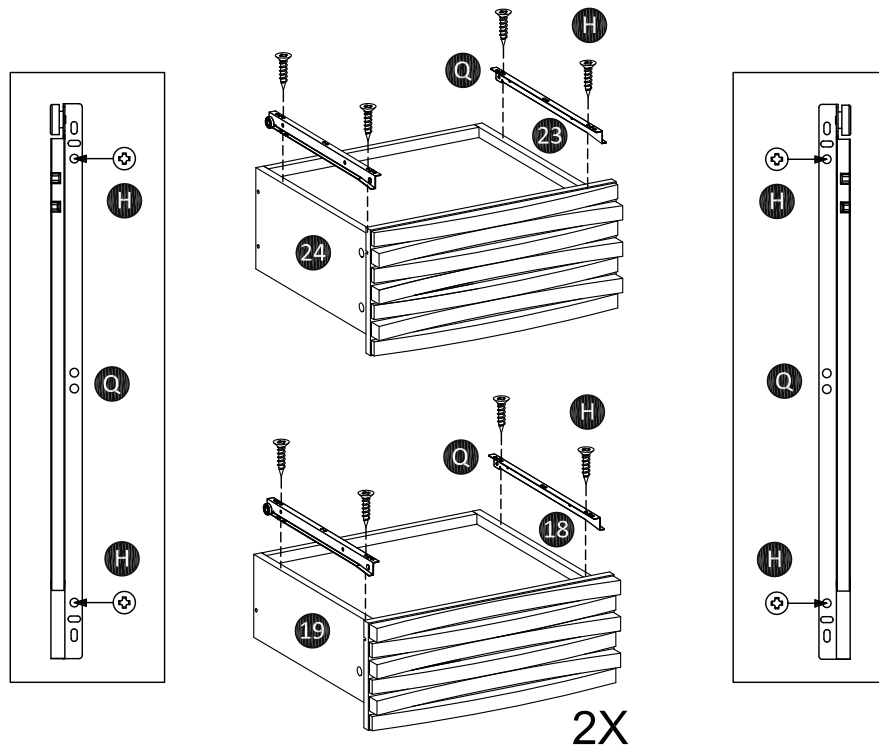
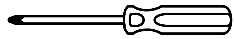
Turn the cam-lock (A) clockwise to lock using screwdriver, then paste cam-sticker (C).

# Product assembly

Zappa Sideboard  
SLZAPSBMEL01

## Step 25

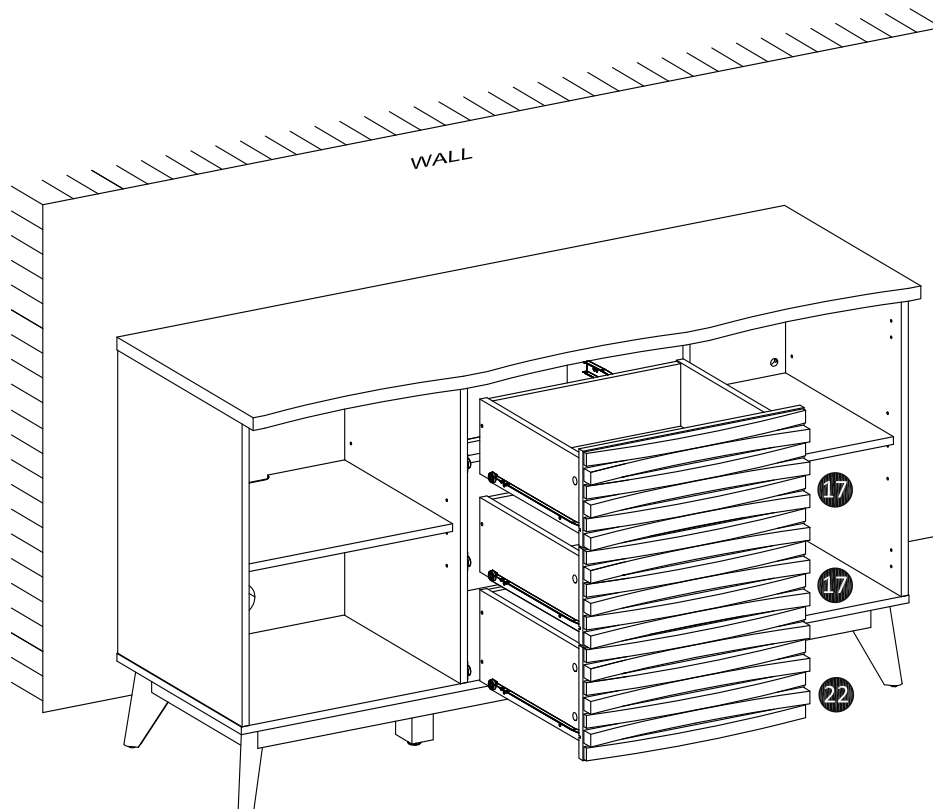
Parts, fittings and tools



Attach drawer rail (Q) to top left drawer (18), top right drawer (19), bottom left drawer (23) and bottom right drawer (24) as shown.

## Step 26

Parts, fittings and tools



Insert all assembly drawer into case assembly as shown.

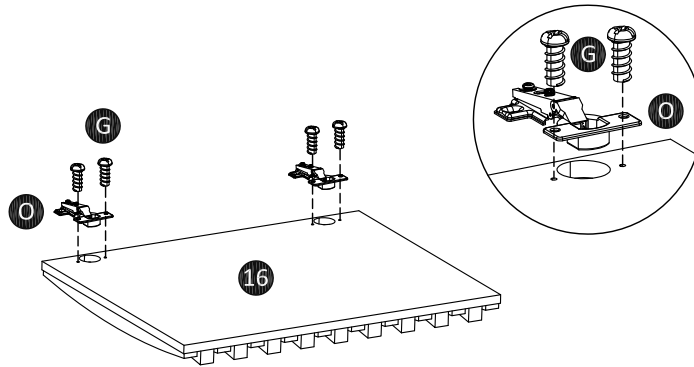
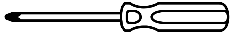
# Product assembly

Zappa Sideboard  
SLZAPSBMEL01

## Step 27

Parts, fittings and tools

16 G O

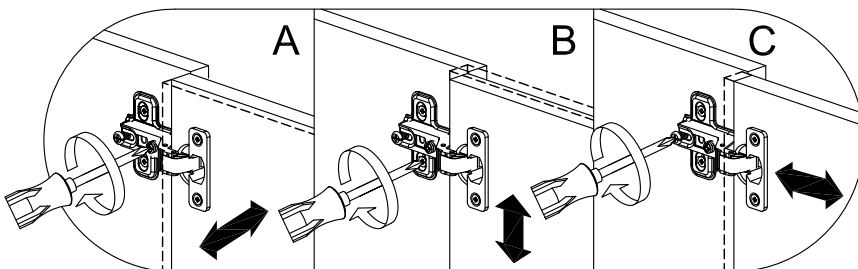
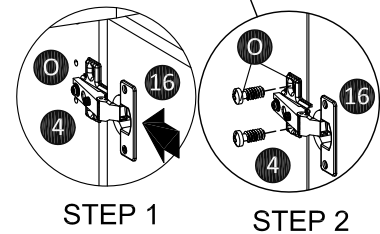
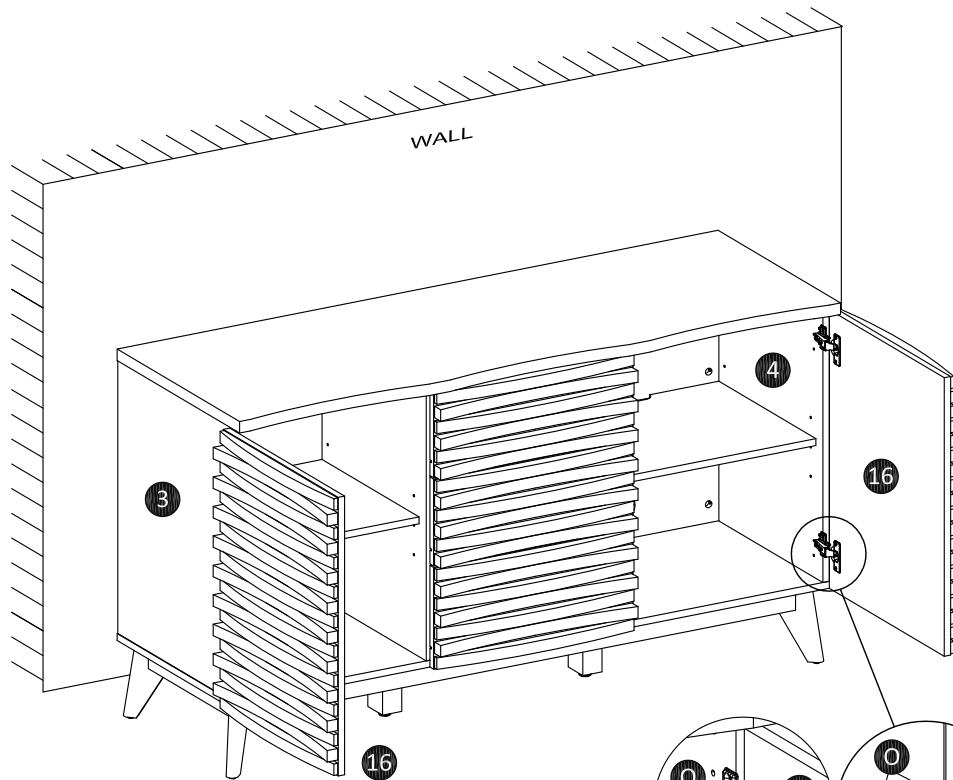
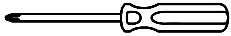


Attach door hinge (O) to door (16) using screw (G).

## Step 28

Parts, fittings and tools

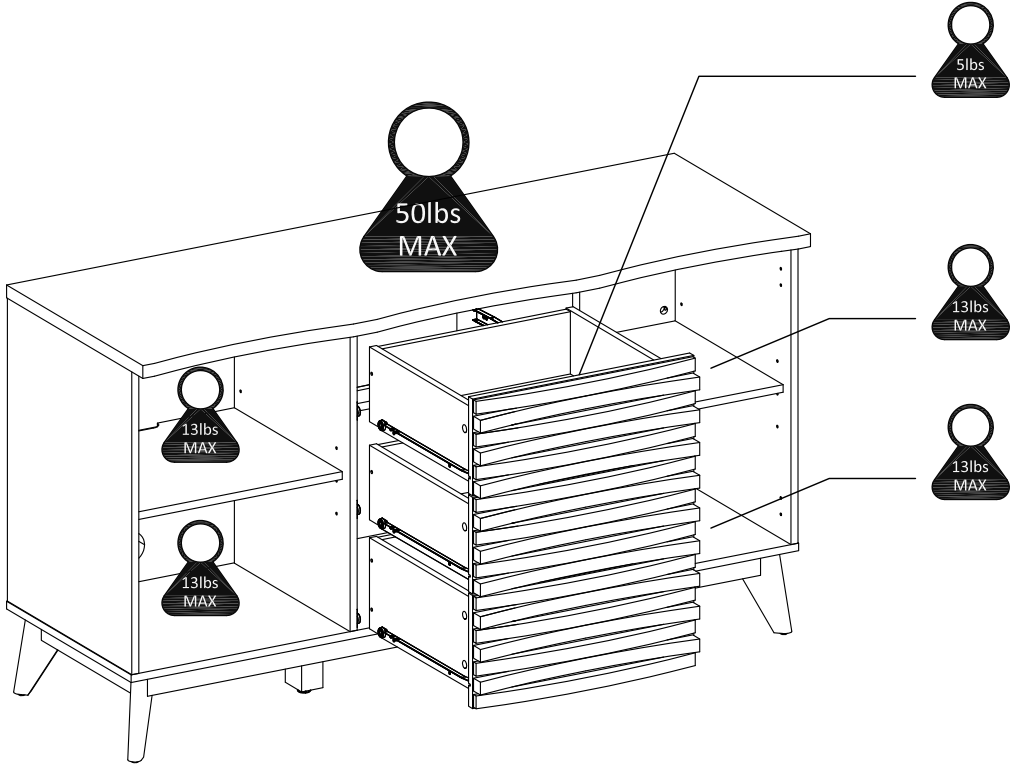
3 4 16 O



Attach the door (16) to left panel (3) and right panel (4) then tightening the screw using screwdriver.  
Adjust the hinge on the door until fix with the assembly.

# Product assembly

Zappa Sideboard  
SLZAPSBMEL01



## Care and maintenance

### Wood furniture

Wood displays different grain patterns depending on which way they are cut - for example, the 'medullary ray' which can appear on oak furniture is a mark of good quality timber - these are just characteristics of natural beauty of the wood. Some furniture is also deliberately aged and rustic, wood veneers also allow a distinctive pattern to be created on some surface, such as tabletops and drawer fronts by the way slivers are arranged.

### How to care for your wood furniture

Furniture with a hard lacquer, wax polish or painted surface should be dusted with a dry cloth. Waxed furniture will need to be given a coat of beeswax a couple of times a year to help maintain its lustre.

Spray polishes are best avoided as they contain silicones which may spoil the furniture's surface when building up over time.

Make sure all surfaces are protected from the heat and liquids by mats and coasters. Wipe up spills immediately and ensure that a mat or pad is placed under paper if you are writing.

Our furniture will endure most temperatures in the home, but it is best to avoid placing furniture next to heat sources such as radiators or fires. Be particularly careful with solid wood as the lack of humidity caused by home heating can cause damage such as warping.

### Caution

This wood has a painted surface that can scratch. Please avoid contact with hard, sharp objects. Avoid placing plant pots or vases without waterproof mats to prolong the life of the product.

**Please do not sit or lean on this product.**

**Maximum Load Capacity:** 50 lbs for the top surface, 5 lbs for each drawer and 13 lbs for each shelf.

Retain these instructions for furniture reference.

**Your feedback is very important to us and we would love to hear your comments on your new furniture. Please visit our website to leave a review. Thank you.**

## Safe Home - Furniture

At Studio London we pride ourselves in developing product that is great quality, offering the best possible value for money.

We also care about your safety, engineering product to minimise any potential risk and providing you with information to enable you to make your home safe and prevent accidents from happening.

### Furniture stability

Furniture stability and 'tipping or overturning' is of particular concern and it's important to consider the environment in which your furniture is being placed and who might come in to contact with it. For example small children may be attracted to toys placed out of reach and may use furniture as a ladder to retrieve them. The elderly may also use furniture to pull themselves up from low seating and even pets climbing on furniture could cause furniture to become unstable.

It's also recommended that heavy item such as TVs are positioned on furniture suitable for the job to prevent any risk of the furniture toppling over.

Other considerations to prevent accidents are how furniture is loaded. Heavier items should be positioned on lower shelves or lower drawers so that the furniture is more stable and less likely to topple.

### Wall fixing or attachment devices

We would strongly recommend that all freestanding furniture 23 5/8 inch in height is attached to the wall for added safety. This is critical where babies and children have access and there is an increased risk of a toppling incident occurring.

Consider the type of wall that your furniture is to be positioned against when making your purchase and make sure that you use the correct wall fixings referring to the 'wall anchoring guide' which you will find in your product instructions.

If in doubt about which wall fixings to use, or if you're concerned about your DIY competency seek expert advice from a qualified tradesperson.

### Warning label

The following label can be found on own brand products and is affixed permanently. This should remain on the product for the duration of its life additionally offering guidance to costumers that purchase the furniture in the second hand market.

