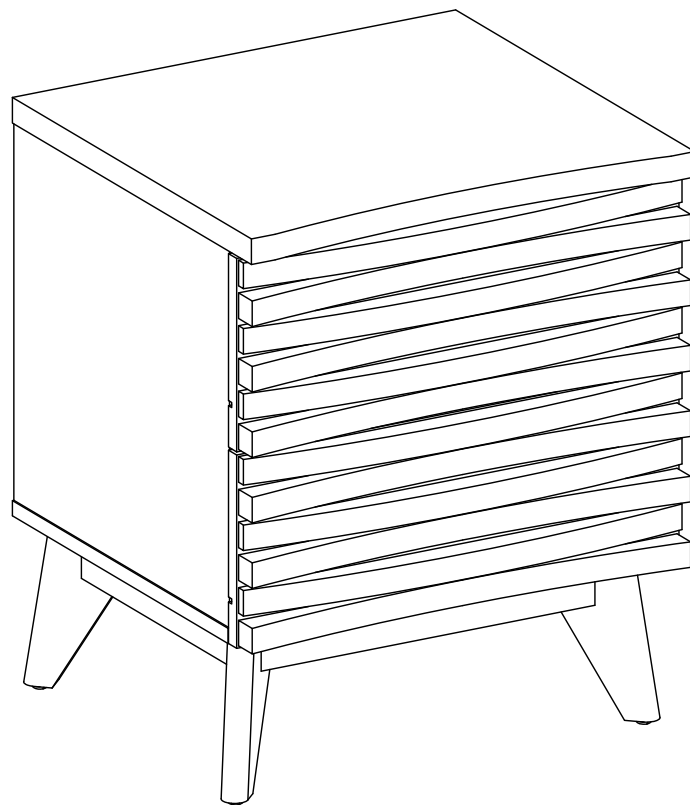


**Studio
London.**

Zappa Bedside - Oak Finish
Stock number: SLZAPSTMEL01



18.5"W x 17.3"D x 22.6"H

Congratulations on your purchase from Studio London!

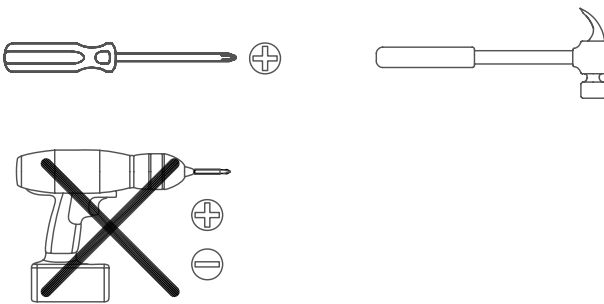
In buying one of our quality products, you now own an item we sincerely hope you will love for years to come, without it coating the earth.

Responsibility is one of our core brand values. For every item sold, a tree is planted. Additionally, we invest in carbon reducing schemes, ensure all our materials are sustainable and responsibly sourced, and audit our suppliers to ensure they are safe, supportive and ethically sound.

We hope you love your item. We would love to hear any feedback or comment.

Visit us at www.studiolondon.net to comment or to find out more, and please follow us on instagram at [studio_london_design](https://www.instagram.com/studio_london_design).

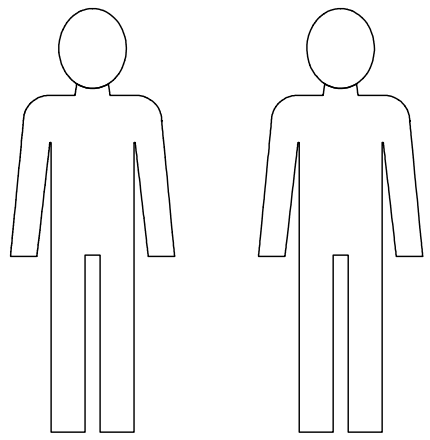
Tools required



Don't use an electric screwdriver to assemble the cabinet panels.

Time to assemble
30 mins

People to assemble



Important safety information

Warnings

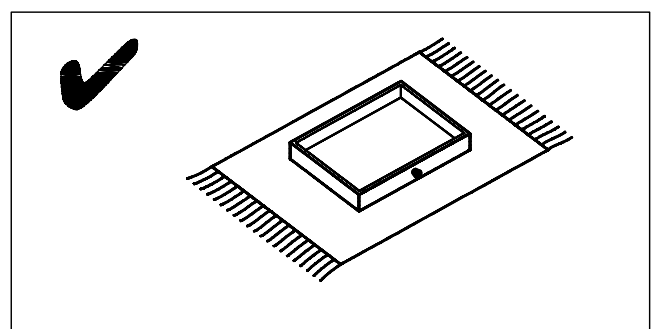
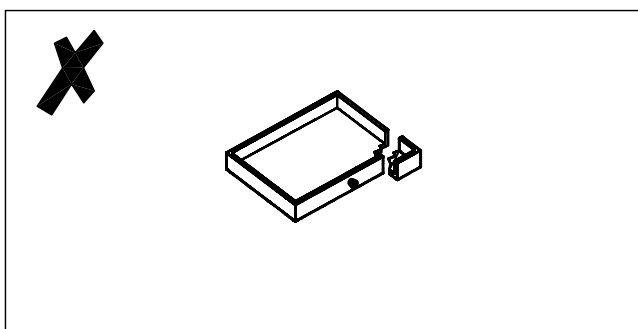
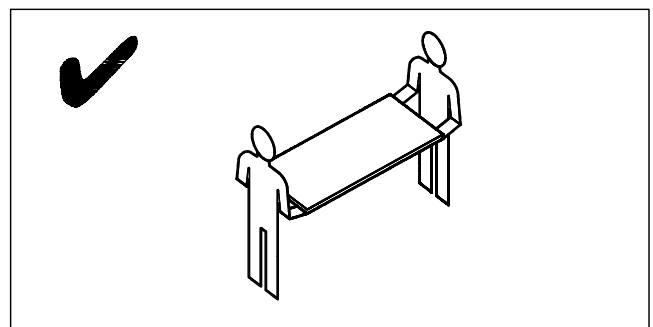
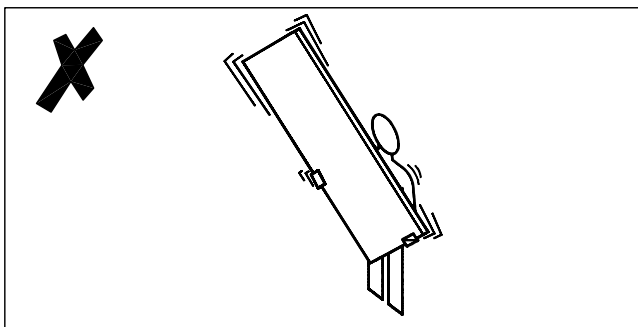
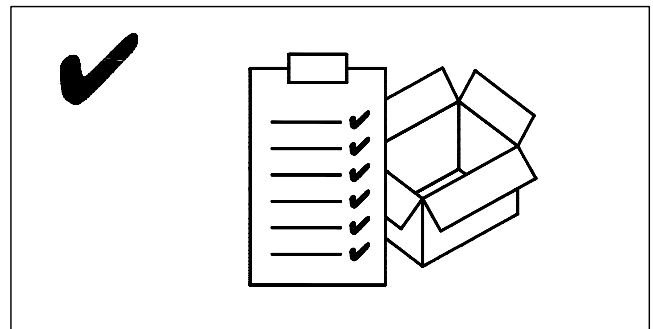
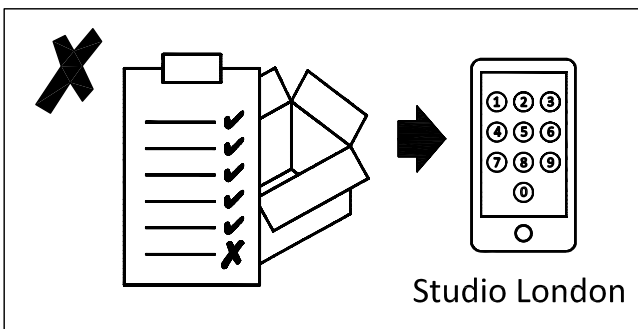
- ⚠ The product should only be used on firm, level ground.
- ⚠ Keep small parts out of reach of children.
- ⚠ Ensure the product is fully assembled as illustrated before use.

Do's

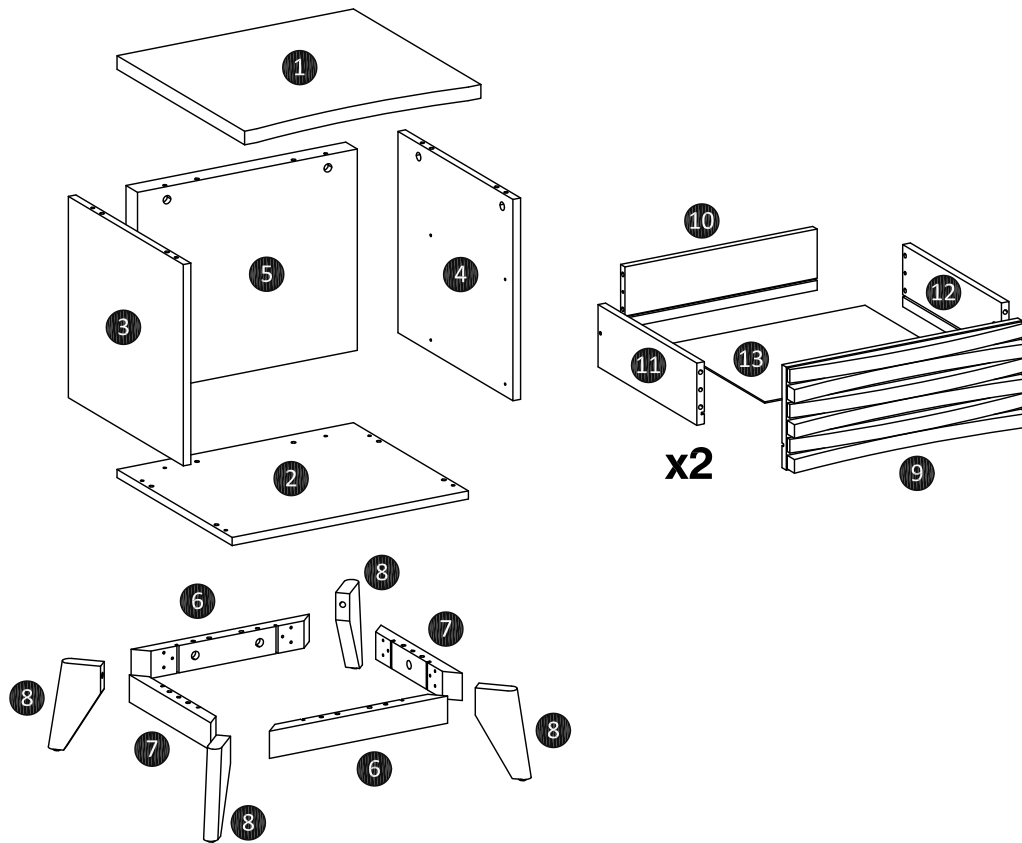
- ✓ Check the pack and make sure you have all the parts listed.
- ✓ Check all screws or bolts are tightened and inspect regularly.
- ✓ Make sure the legs remain in contact with the ground all time.

Don't

- ✗ Do not over tighten screws or bolts.
- ✗ Do not stand on the product.
- ✗ Do not use power tools to construct as overtightening and panel failure may occur.

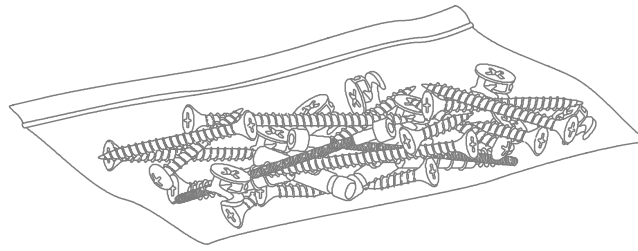


Your Bedside


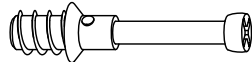
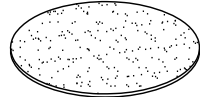
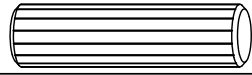
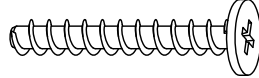

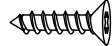






Ref	Description	Dimensions	Qty
①	Top panel	18.5" x 17.3" x 1"	1
②	Bottom panel	18.5" x 15.6" x 0.6"	1
③	Left panel	14.5" x 15.6" x 0.6"	1
④	Right panel	14.5" x 15.6" x 0.6"	1
⑤	Rear panel	14.5" x 17.2" x 1.6"	1
⑥	Large support	14" x 2" x 1"	2
⑦	Small support	11" x 2" x 1"	2
⑧	Leg	6.3" x 3.8" x 1"	4
⑨	Front drawer	18.5" x 7.4" x 1.6"	2
⑩	Rear drawer	15" x 4.4" x 0.6"	2
⑪	Left drawer	13.4" x 4.5" x 0.6"	2
⑫	Right drawer	13.4" x 4.5" x 0.6"	2
⑬	Bottom drawer	15.5" x 13.2" x 0.1"	2

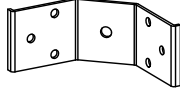
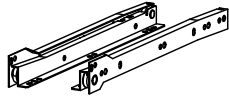
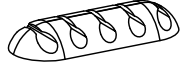
Fixtures and fittings



Fixtures and fittings Supplied (true to size)

Ref	Description	Dimensions	Qty	mm 10 20 30 40 50 60 70 80 90
A	Cam-fix	Dia.15mm	16	
B	Cam-bolt	M7.5 x 32mm	16	
C	Cam-Sticker	Dia.25mm	16	
D	Plastic dowel	M8 x 32mm	36	
E	screw	M10 x 33.5mm	10	
F	screw	M6 x 8mm	8	
G	screw	M6 x 13mm	8	
H	screw	M6 x 20mm	4	
I	Washer plate	M6 x 13mm	4	
J	Washer	M6 x 10mm	4	
K	screw	M4 x 10mm	24	

Fixtures and fittings Supplied (not to scale)

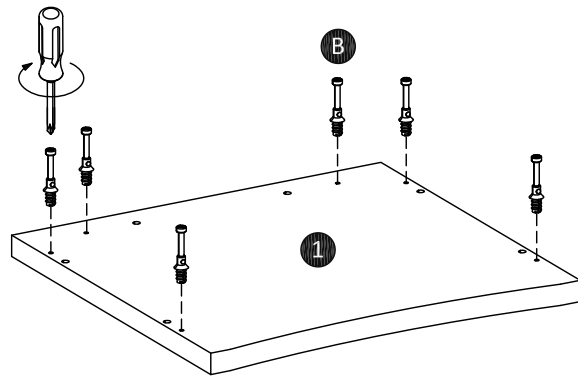
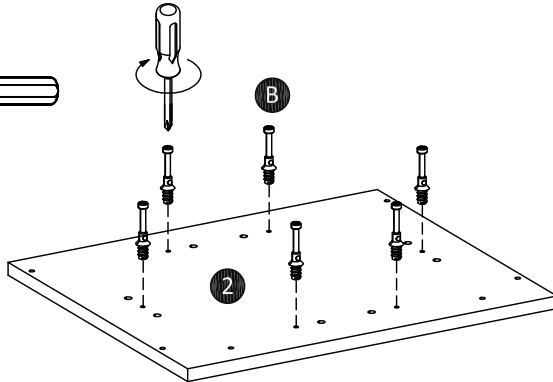
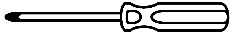
Ref	Description	Dimensions	Qty	
L	Corner braces	N/A	4	
M	Drawer Rail	300mm	2	
N	Cable clamp	N/A	1	

Product assembly

Zappa Bedside - Oak Finish
SLZAPSTMEL01

Step 1

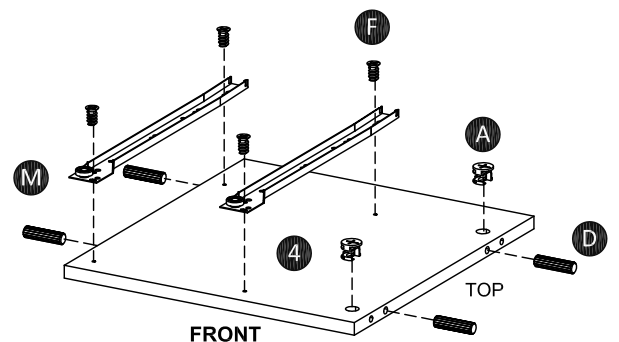
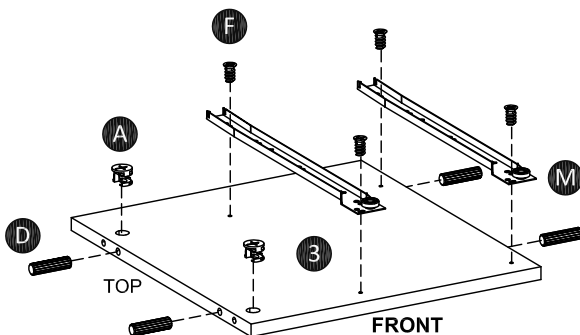
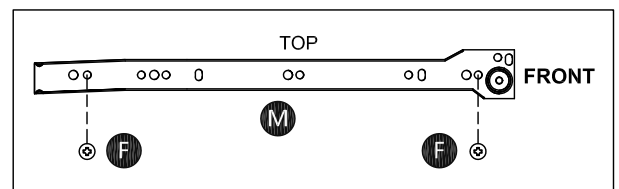
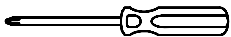
Parts, fittings and tools



Attach cam-bolt (B) to top panel (1) and bottom panel (2) using screwdriver.

Step 2

Parts, fittings and tools



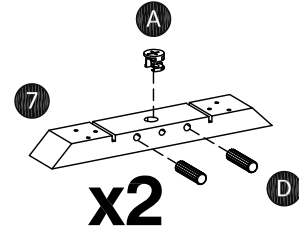
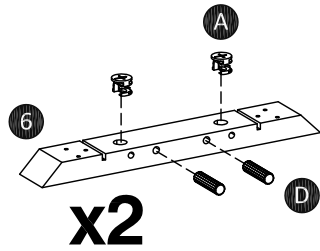
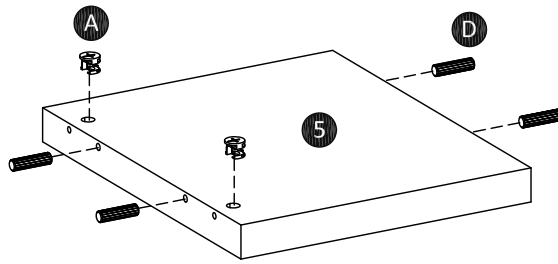
Insert cam-fix (A) and plastic dowel (D) into left panel (3) and right panel (4).
Attach drawer rails (M) to left panel (3) and right panel (4) using screws (F).

Product assembly

Zappa Bedside - Oak Finish
SLZAPSTMEL01

Step 3

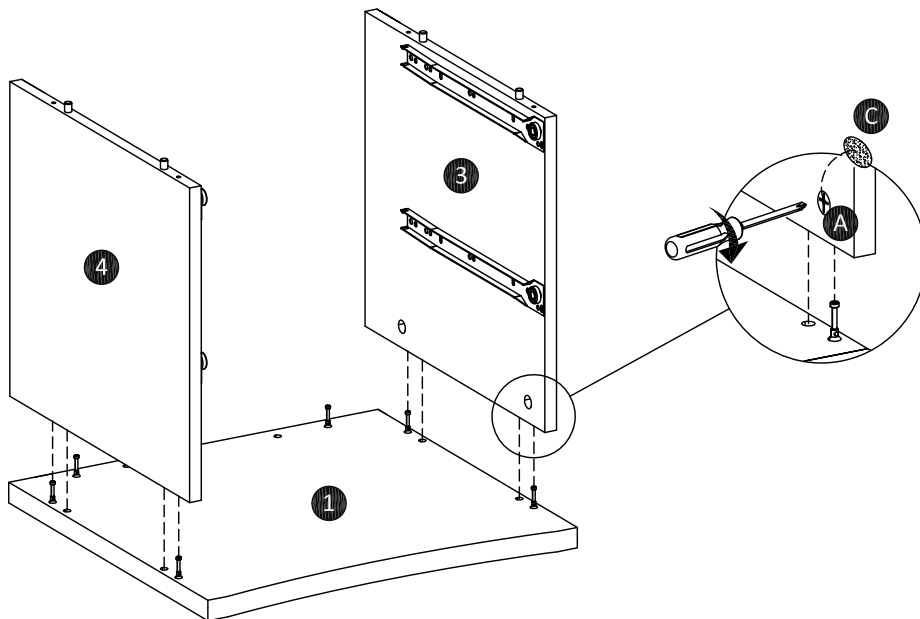
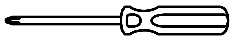
Parts, fittings and tools



Insert cam-fix (A) and plastic dowel (D) into rear panel (5), large support (6) and small support (7).

Step 4

Parts, fittings and tools



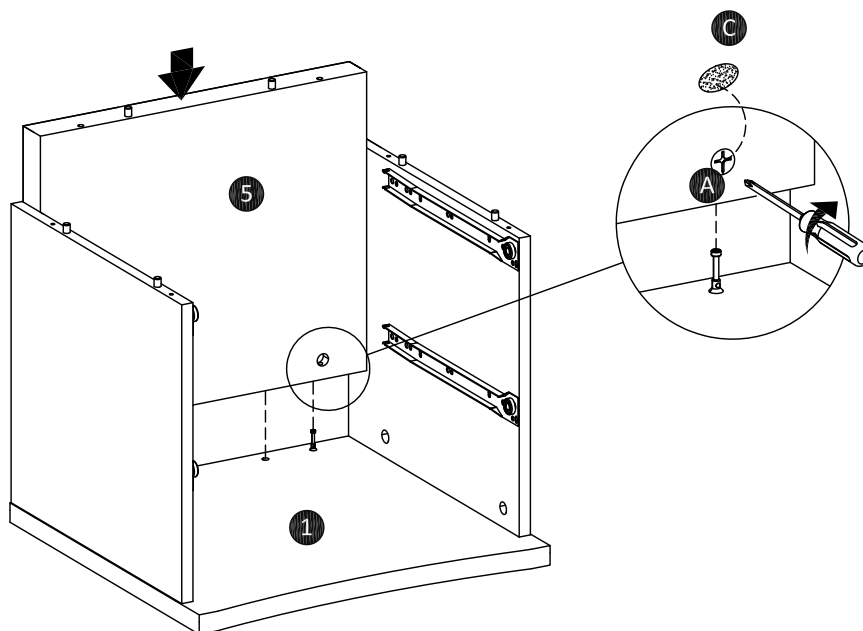
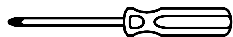
Attach left panel (3) and right panel (4) to top panel (1) as shown.
Turn the cam-lock (A) clockwise to lock using screwdriver, then paste cam-sticker (C).

Product assembly

Zappa Bedside - Oak Finish
SLZAPSTMEL01

Step 5

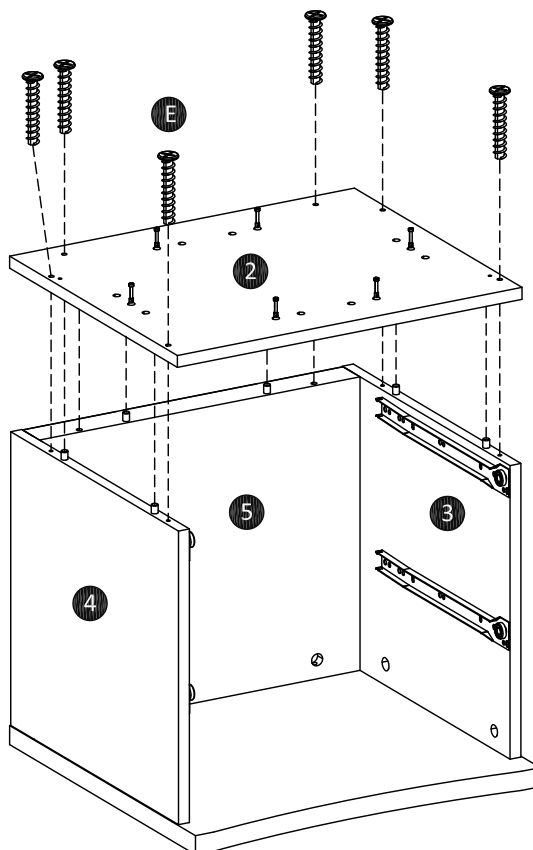
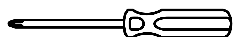
Parts, fittings and tools



Attach rear panel (5) to case assembly as shown.
Turn the cam-lock (A) clockwise to lock using screwdriver, then paste cam-sticker (C).

Step 6

Parts, fittings and tools



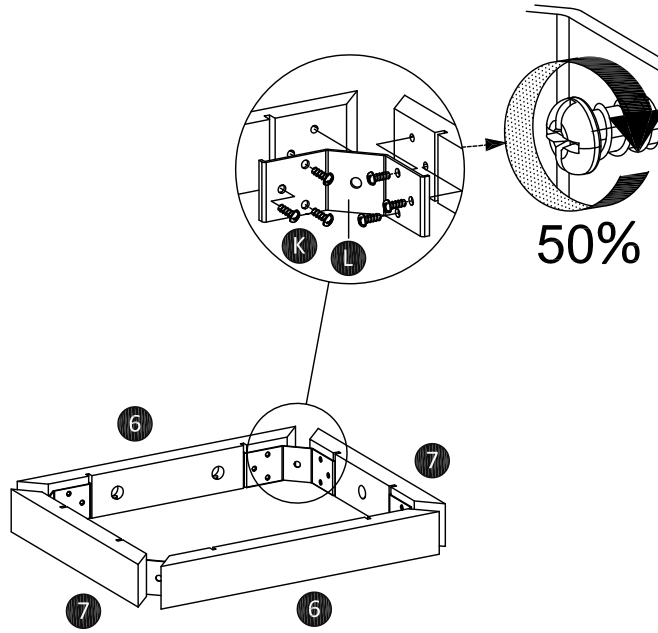
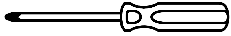
Attach bottom panel (2) to case assembly using screws (E) as shown.

Product assembly

Zappa Bedside - Oak Finish
SLZAPSTMEL01

Step 7

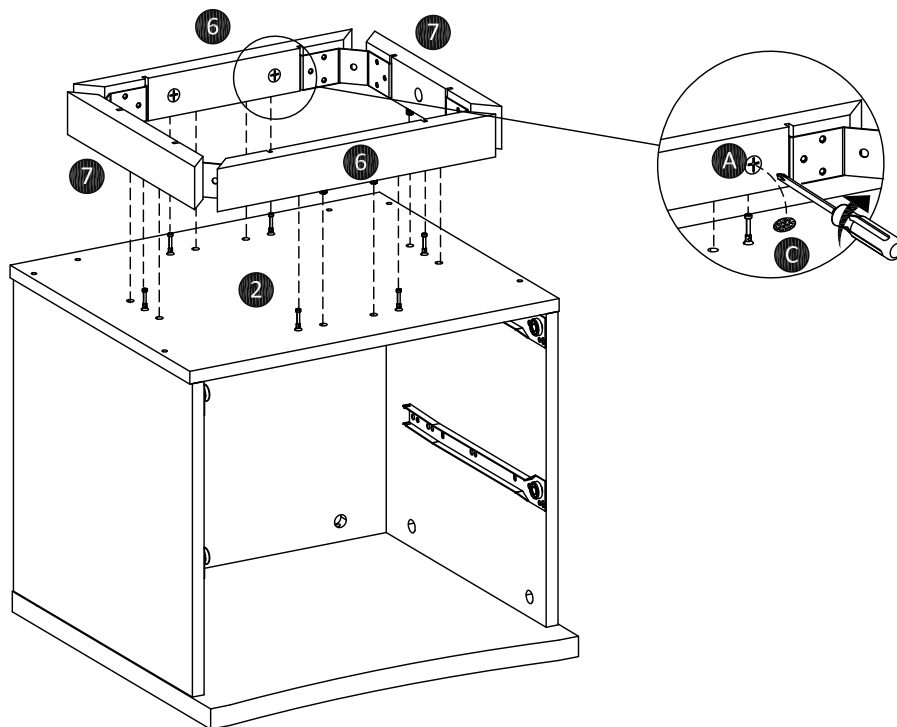
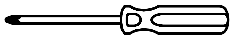
Parts, fittings and tools



Attach corner brace (L) on the between large support (6) and small support (7) using screws (K). Tighten the screws about 50% before fixed.

Step 8

Parts, fittings and tools



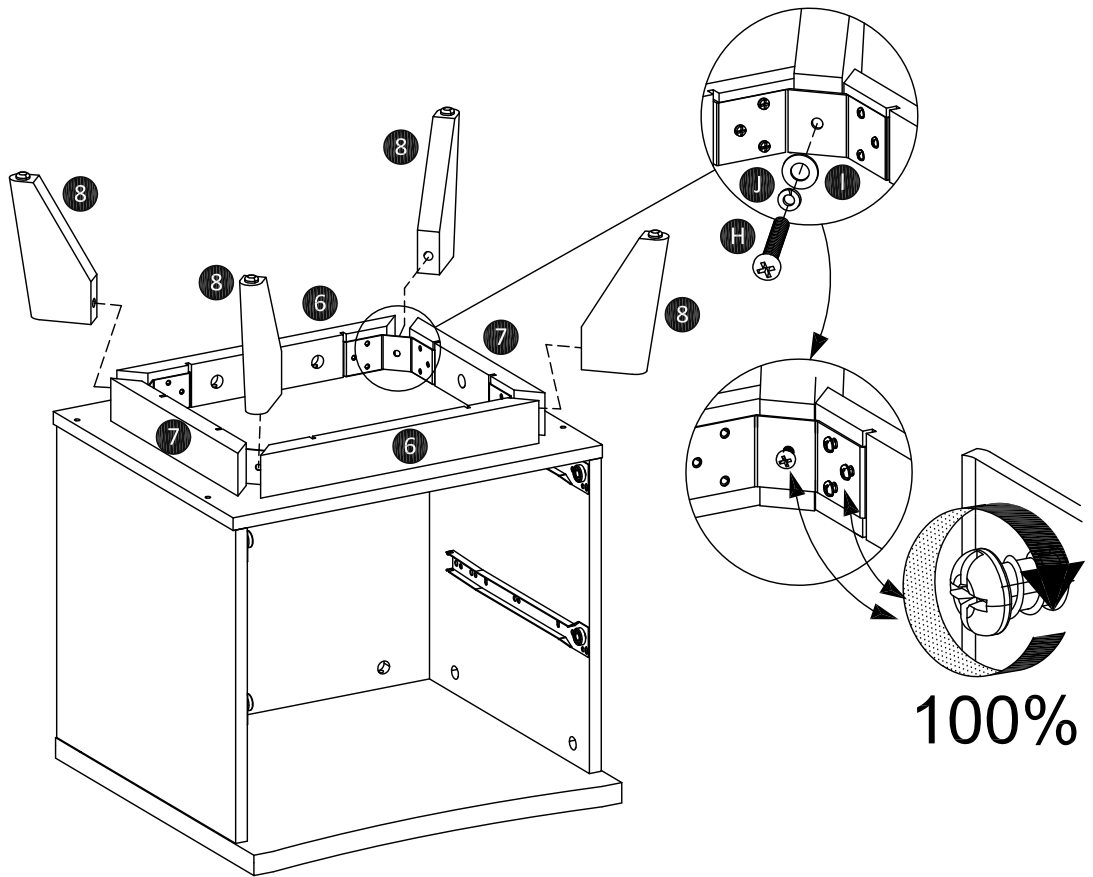
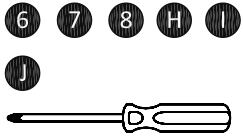
Attach support assembly to bottom panel (2) as shown.
Turn the cam-lock (A) clockwise to lock using screwdriver, then paste cam-sticker (C).

Product assembly

Zappa Bedside - Oak Finish
SLZAPSTMEL01

Step 9

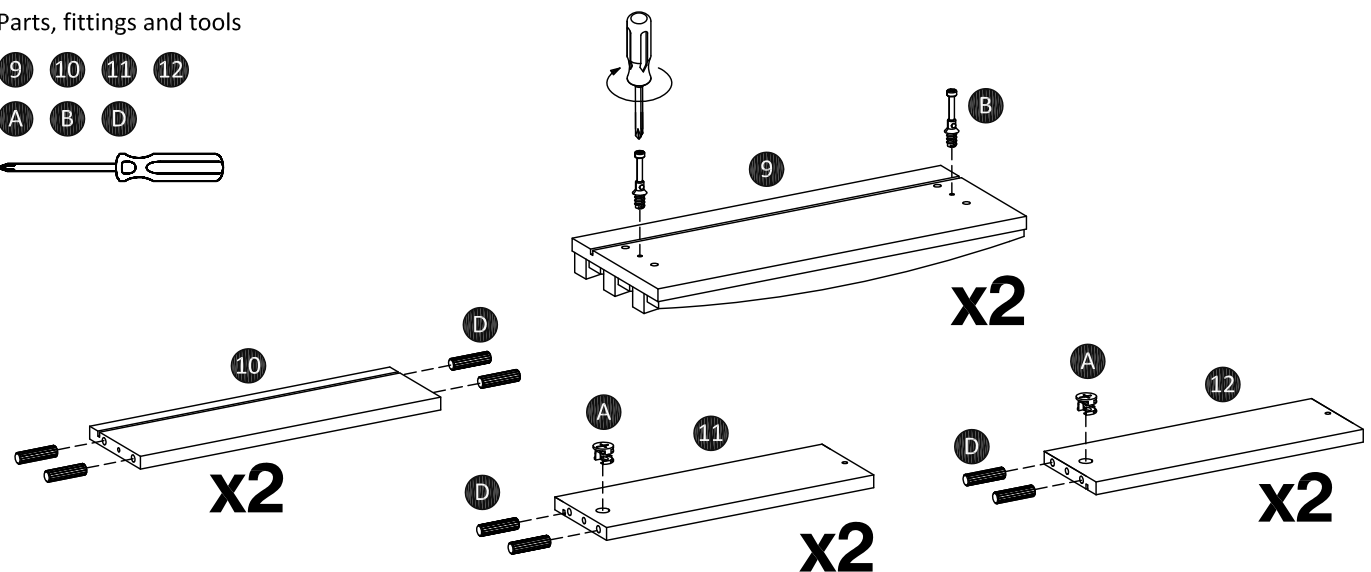
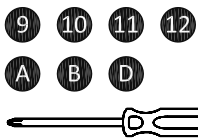
Parts, fittings and tools



Attach leg (8) in the between large support (6) and small support (7), then screws the legs from corner brace using screws (H), washer plate (I) and washer (J) as shown. Tighten screws (K) around corner brace and fixed it.

Step 10

Parts, fittings and tools



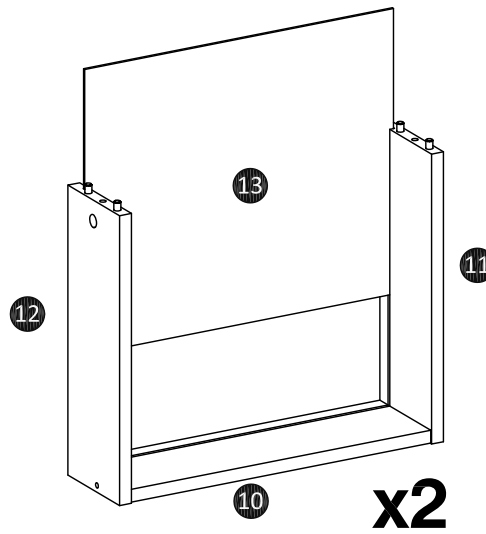
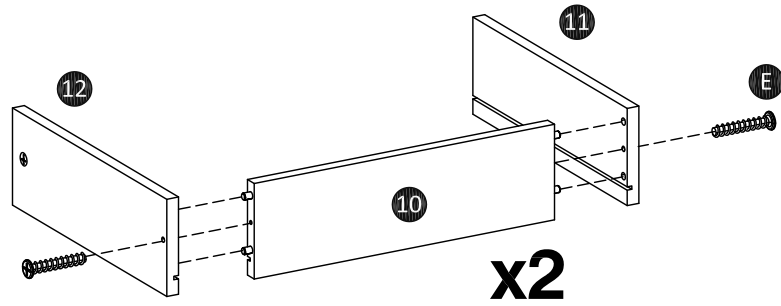
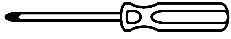
Attach cam-bolt (B) to front drawer (9) using screwdriver.
Insert cam-lock (A) into left drawer (11) and right drawer (12).
Insert plastic dowel (D) into rear drawer (10), left drawer (11) and right drawer (12).

Product assembly

Zappa Bedside - Oak Finish
SLZAPSTMEL01

Step 11

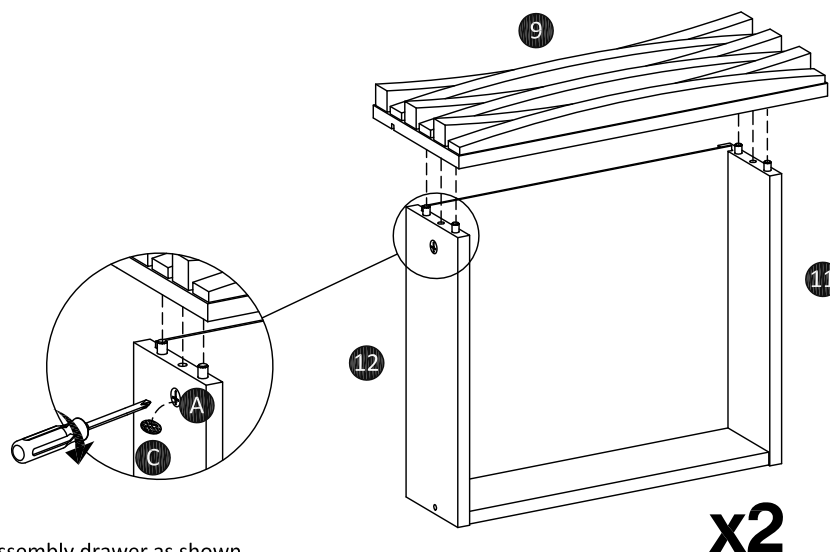
Parts, fittings and tools



Attach left drawer (11) and right drawer (12) to rear drawer (10) using screws (E).
Insert bottom drawer (13) into assembly drawer as shown.

Step 12

Parts, fittings and tools



Attach front drawer (9) to assembly drawer as shown.
Turn the cam-lock (A) clockwise to lock using screwdriver, then paste cam-sticker (C).

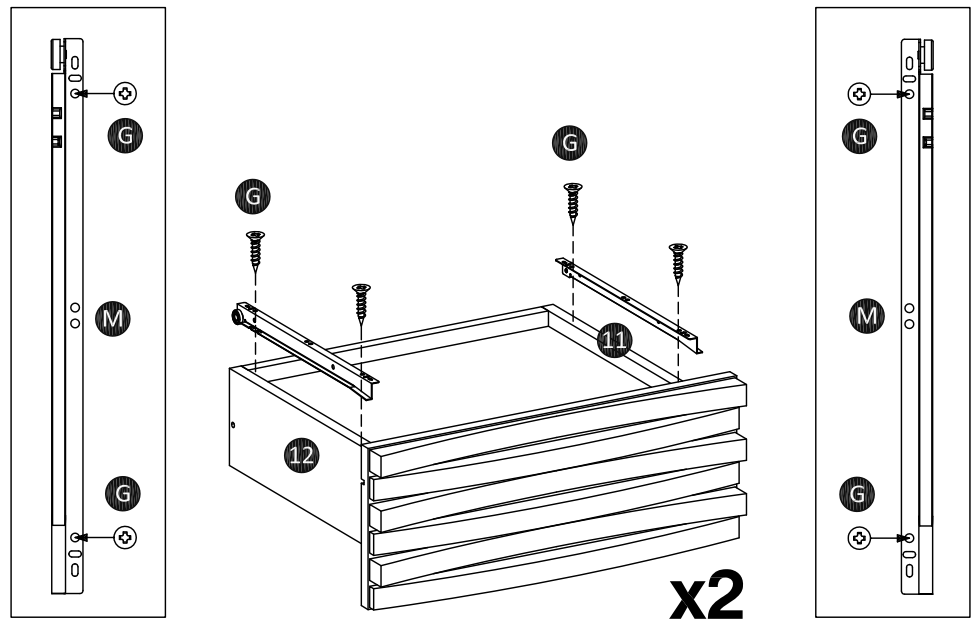
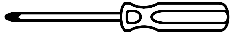
Product assembly

Zappa Bedside - Oak Finish
SLZAPSTMEL01

Step 13

Parts, fittings and tools

11 12 G M

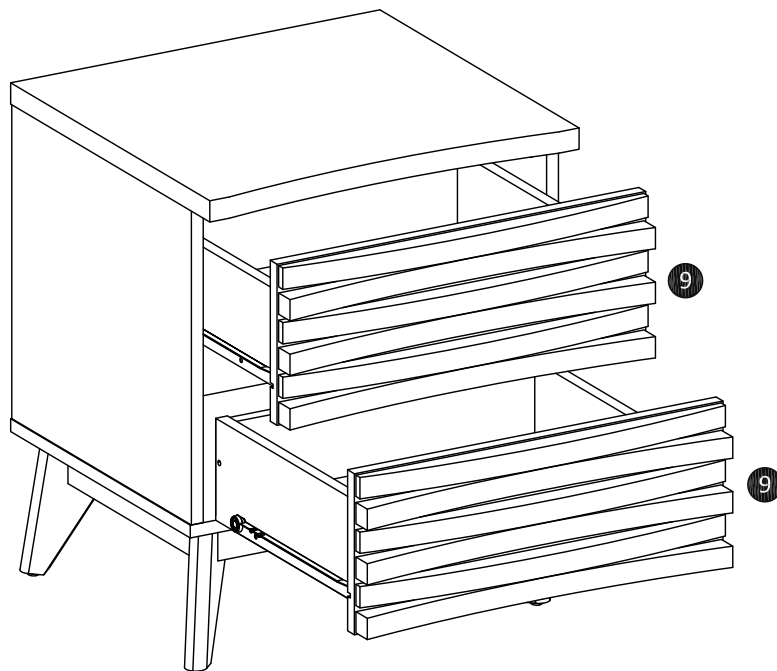


Attach drawer rail (M) to left drawer (11) and right drawer (12) using screw (G).

Step 14

Parts, fittings and tools

9



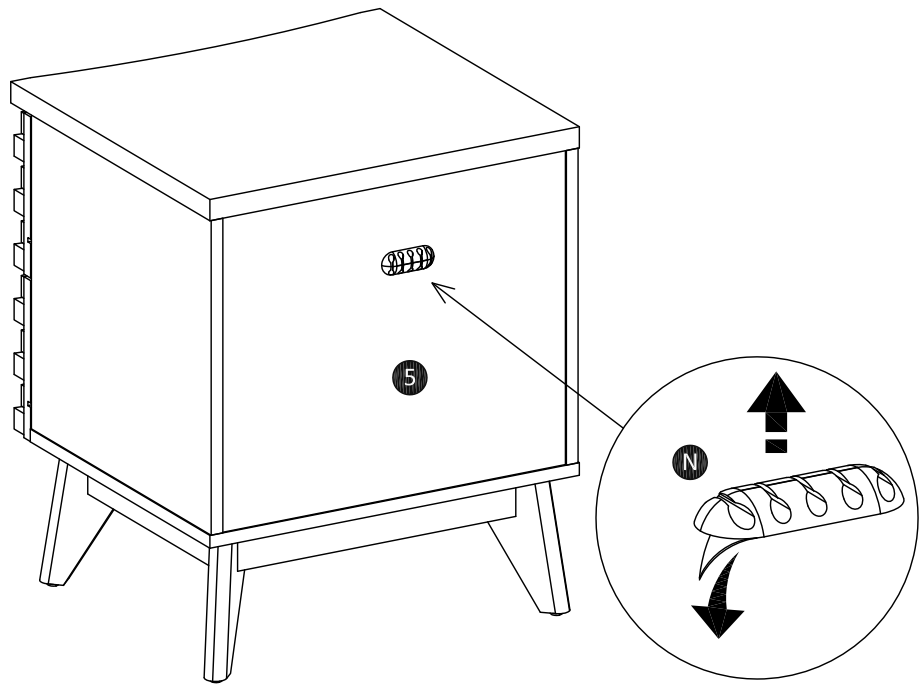
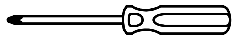
Insert assembly drawer into case assembly as shown.

Product assembly

Zappa Bedside - Oak Finish
SLZAPSTMEL01

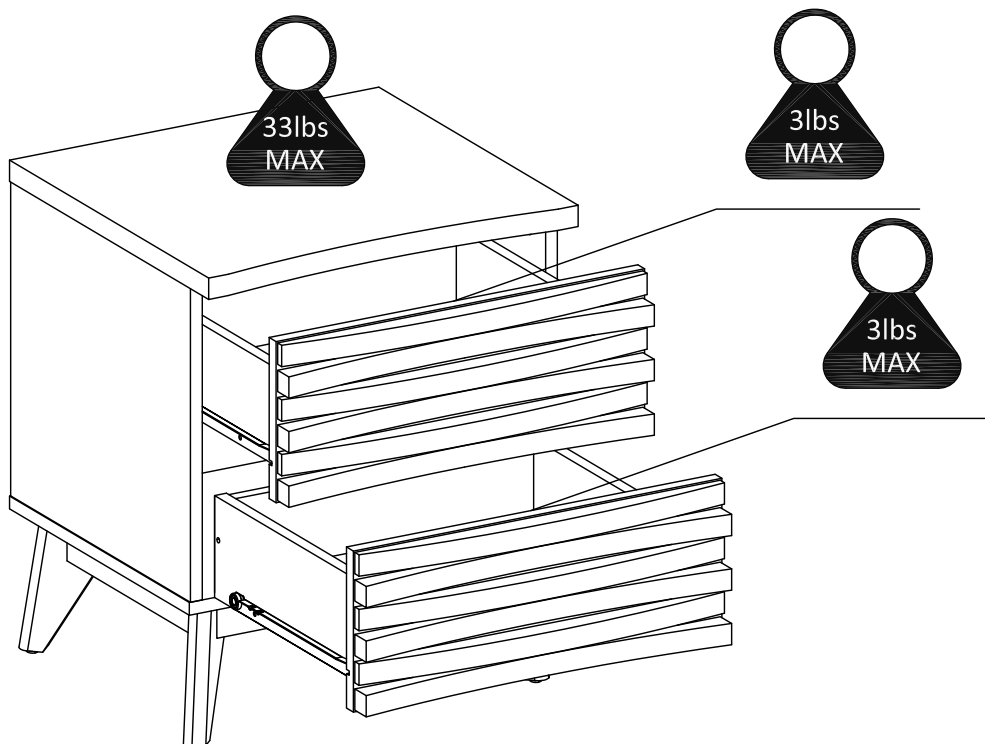
Step 15

Parts, fittings and tools



Paste cable clamp (N) on the rear panel (5) as shown.

Step 16



Care and maintenance

Wood furniture

Wood displays different grain patterns depending on which way they are cut - for example, the 'medullary ray' which can appear on oak furniture is a mark of good quality timber - these are just characteristics of natural beauty of the wood. Some furniture is also deliberately aged and rustic, wood veneers also allow a distinctive pattern to be created on some surface, such as tabletops and drawer fronts by the way slivers are arranged.

How to care for your wood furniture

Furniture with a hard lacquer, wax polish or painted surface should be dusted with a dry cloth. Waxed furniture will need to be given a coat of beeswax a couple of times a year to help maintain its lustre.

Spray polishes are best avoided as they contain silicones which may spoil the furniture's surface when building up over time.

Make sure all surfaces are protected from the heat and liquids by mats and coasters. Wipe up spills immediately and ensure that a mat or pad is placed under paper if you are writing.

Our furniture will endure most temperatures in the home, but it is best to avoid placing furniture next to heat sources such as radiators or fires. Be particularly careful with solid wood as the lack of humidity caused by home heating can cause damage such as warping.

Caution

This wood has a painted surface that can scratch. Please avoid contact with hard, sharp objects. Avoid placing plant pots or vases without waterproof mats to prolong the life of the product.

Please do not sit or lean on this product.

Maximum Load Capacity: 33 lbs for the top surface, 3 lbs for each drawer.

Retain these instructions for furniture reference.

Your feedback is very important to us and we would love to hear your comments on your new furniture. Please visit our website to leave a review. Thank you.