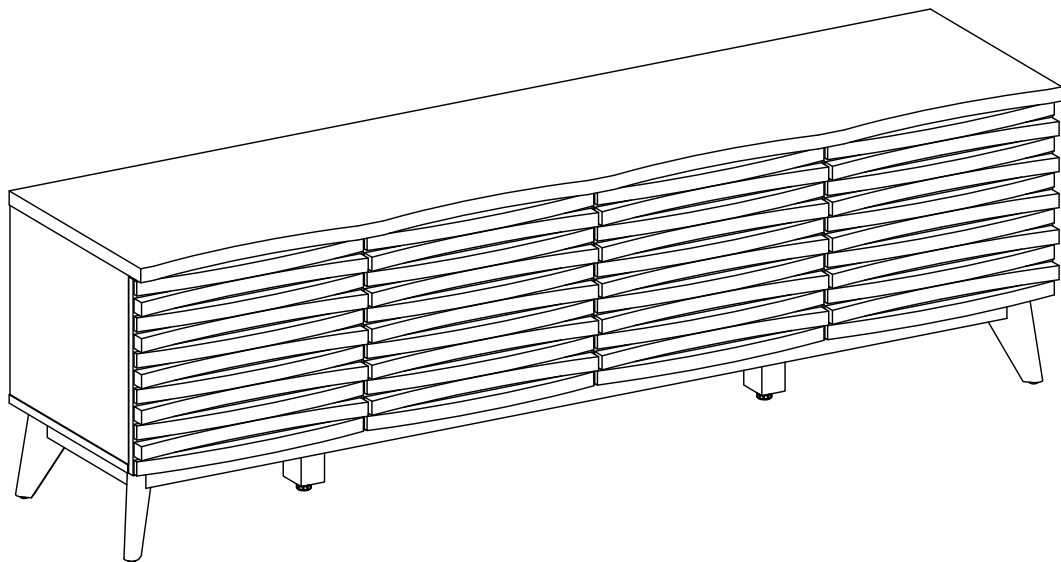


**Studio
London.**

Zappa Media Unit - Oak Finish
Stock number: SLZAPTVMEL01



69.9"W x 17.3"D x 21.3"H

Congratulations on your purchase from Studio London!

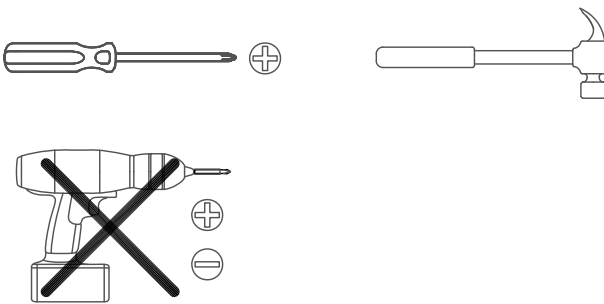
In buying one of our quality products, you now own an item we sincerely hope you will love for years to come, without it coating the earth.

Responsibility is one of our core brand values. For every item sold, a tree is planted. Additionally, we invest in carbon reducing schemes, ensure all our materials are sustainable and responsibly sourced, and audit our suppliers to ensure they are safe, supportive and ethically sound.

We hope you love your item. We would love to hear any feedback or comment.

Visit us at www.studiolondon.net to comment or to find out more, and please follow us on instagram at [studio_london_design](https://www.instagram.com/studio_london_design).

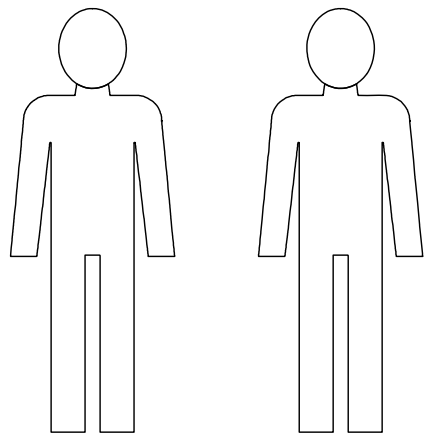
Tools required



Don't use an electric screwdriver to assemble the cabinet panels.

Time to assemble
30 mins

People to assemble



Important safety information

Warnings

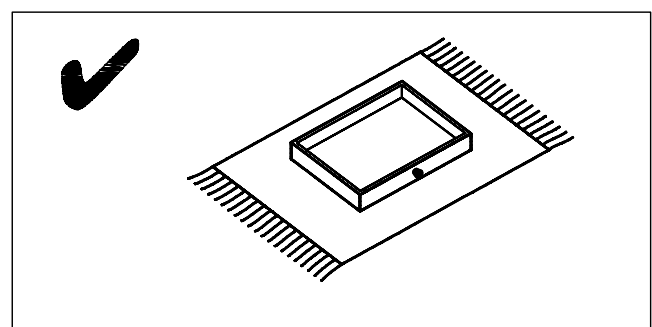
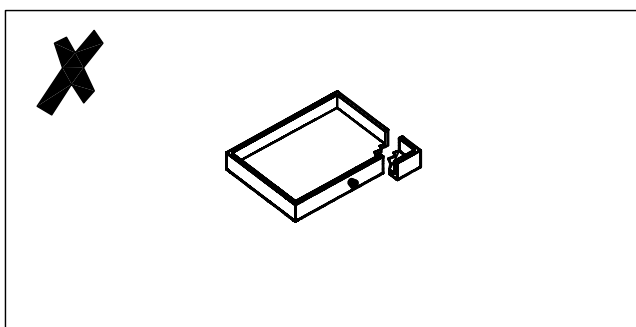
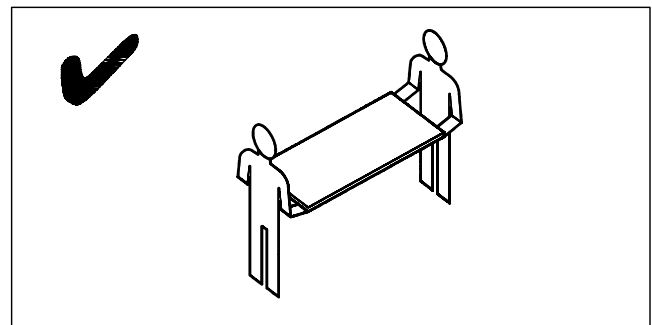
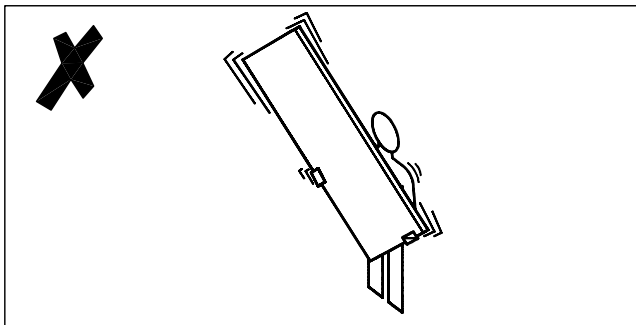
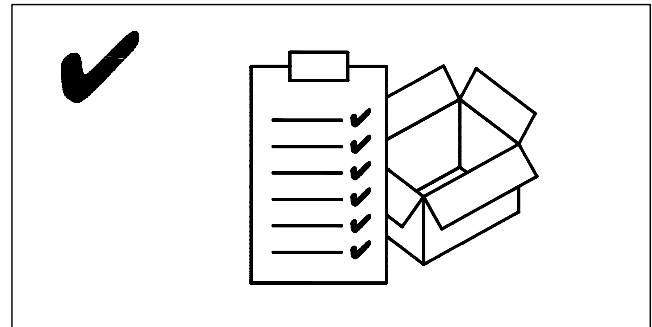
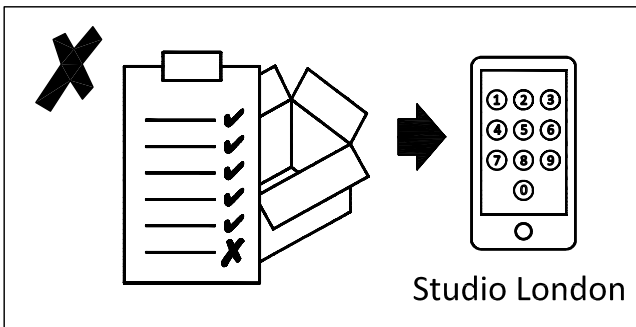
- ⚠ **This product is not suitable for bedrooms.**
- ⚠ The product should only be used on firm, level ground.
- ⚠ Keep small parts out of reach of children.
- ⚠ Ensure the product is fully assembled as illustrated before use.

Do's

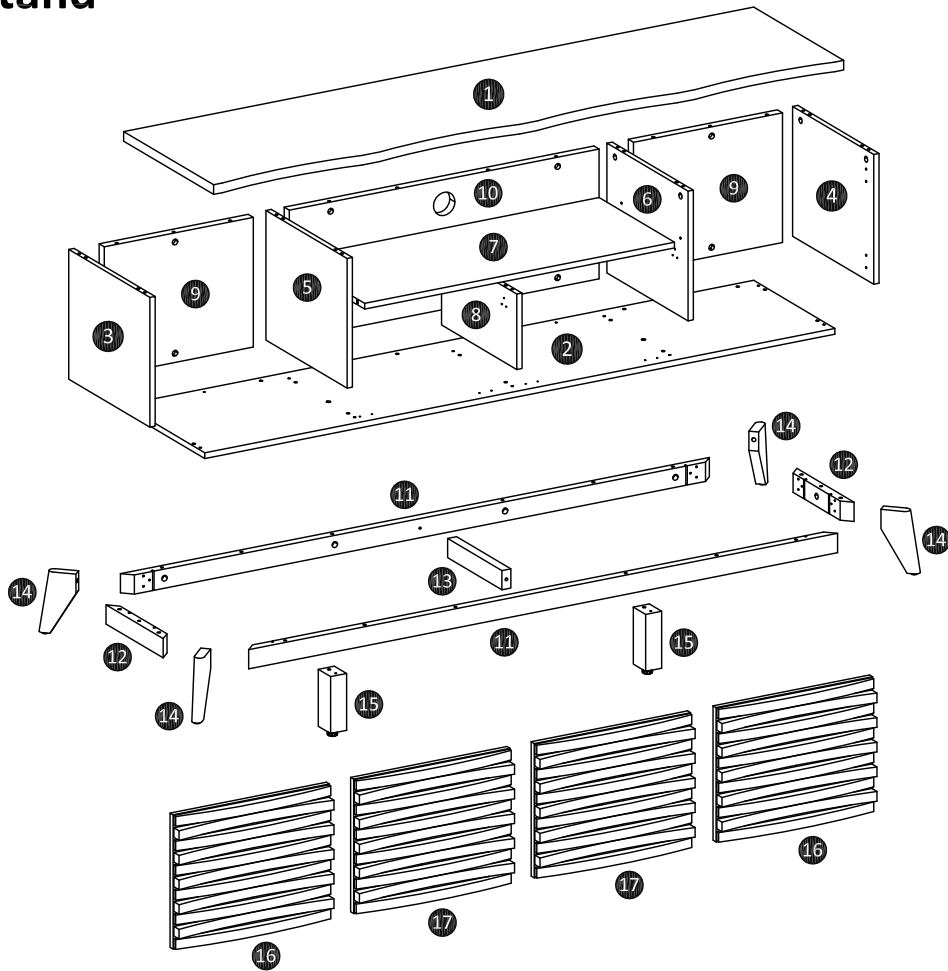
- ✓ Check the pack and make sure you have all the parts listed.
- ✓ Check all screws or bolts are tightened and inspect regularly.
- ✓ Make sure the legs remain in contact with the ground all time.

Don't

- ✗ Do not over tighten screws or bolts.
- ✗ Do not stand on the product.
- ✗ Do not use power tools to construct as overtightening and panel failure may occur.

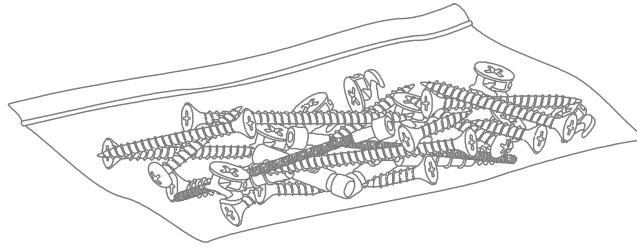


Your TV Stand


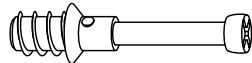

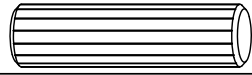

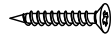
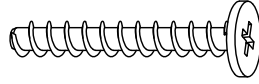







Ref	Description	Dimensions	Qty
1	Top panel	70" x 17.3" x 1"	1
2	Bottom panel	70" x 15.6" x 0.7"	1
3	Left panel	13.1" x 15.6" x 0.6"	1
4	Right panel	13.1" x 15.6" x 0.6"	1
5	Left divider	13.1" x 15.6" x 0.6"	1
6	Right divider	13.1" x 15.6" x 0.6"	1
7	Fix shelf	34.4" x 14.5" x 0.6"	1
8	Middle divider	7.7" x 14.4" x 0.6"	1
9	Side rear panel	13.1" x 16.5" x 1"	2
10	Middle rear panel	13.1" x 34.4 x 1"	1
11	Large support	65.3" x 2" x 1"	3
12	Small support	11" x 2" x 1"	2
13	Middle support	10.5" x 2" x 1"	1
14	Side leg	6.3" x 3.8" x 1"	4
15	Middle leg	5.8" x 2.4" x 1.8" mm	2
16	Side door	17.4" x 13.7" x 1.6"	2
17	Middle door	17.4" x 13.7" x 1.6"	2



Fixtures and fittings

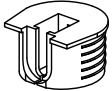
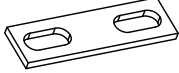
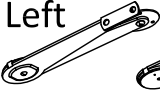
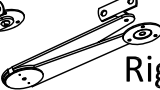
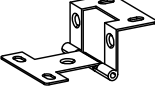
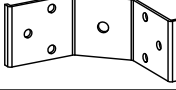

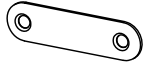
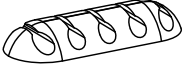


Fixtures and fittings Supplied (true to size)

Ref	Description	Dimensions	Qty	mm 10 20 30 40 50 60 70 80 90
A	Cam-fix	Dia.15mm	30	
B	Cam-bolt	M7.5 x 32mm	30	
C	Cam-Sticker	Dia.25mm	30	
D	Plastic dowel	M8 x 32mm	42	
E	screw	M4 x 10mm	48	
F	screw	M4 x 13mm	36	
G	screw	M10 x 33.5mm	12	
H	screw	M6 x 20mm	4	
I	Washer	M6 x 10mm	4	
J	Washer plate	M6 x 13mm	4	
K	screw	M6 x 19mm	4	
L	Shelf holder	M8 x 18.5mm	4	

Fixtures and fittings Supplied (not to scale)

Ref	Description	Dimensions	Qty	
M	Door hinge	N/A	4	
N	Cable holder	N/A	1	

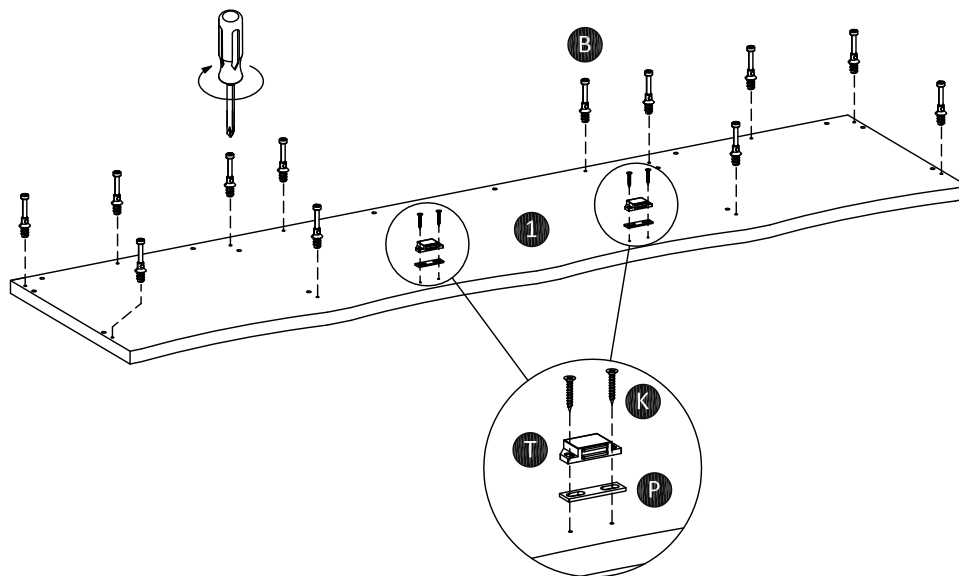
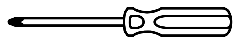
Ref	Description	Dimensions	Qty	
O	Shelf support	N/A	4	
P	Magnet support	N/A	2	
Q	Flap stay	N/A	2	  Left Right
R	Plate hinge	N/A	4	
S	Corner braces	N/A	4	
T	Magnet	N/A	2	
U	Plate	N/A	2	
V	Cable clamp	N/A	2	

Product assembly

Zappa Media Unit - Oak Finish
SLZAPTVMEL01

Step 1

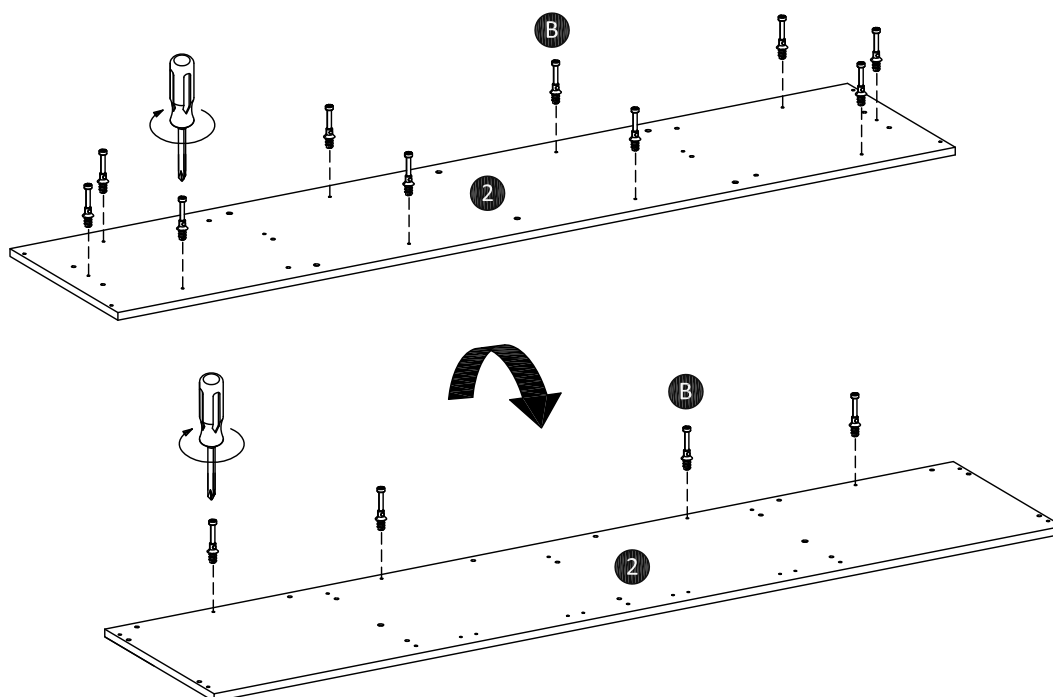
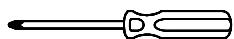
Parts, fittings and tools



Attach cam-bolt (B) to top panel (1) using screwdriver.
Attach magnet (T) and magnet support (P) using screws (K).

Step 2

Parts, fittings and tools



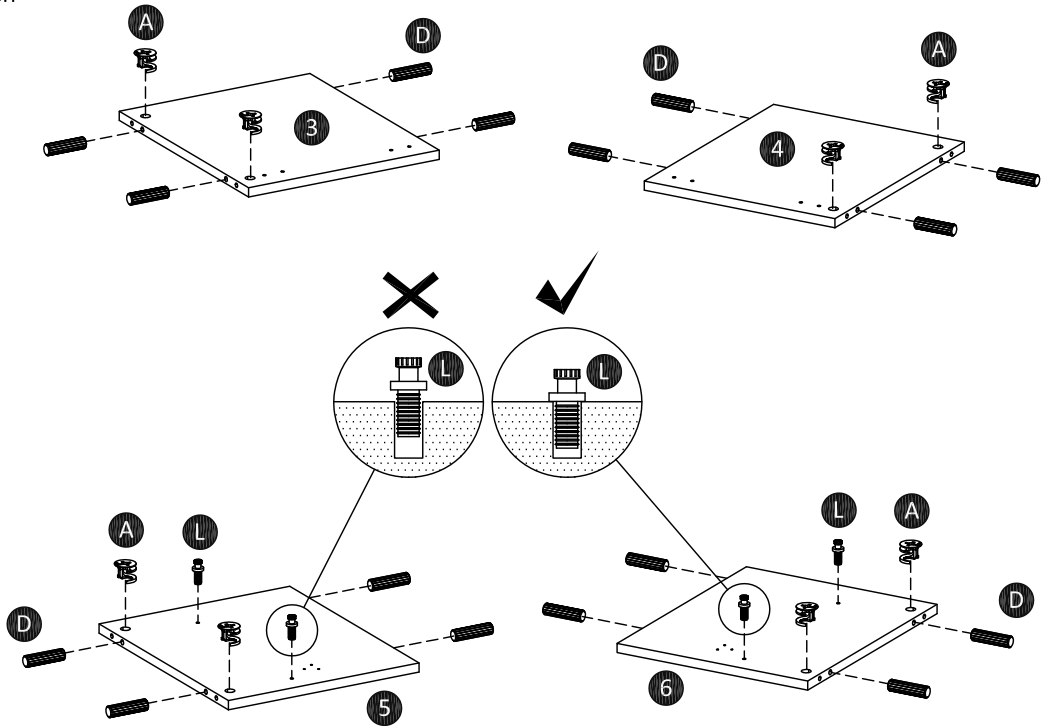
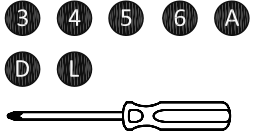
Attach cam-bolt (B) to bottom panel (2) using screwdriver. Flip the panel 180°, then attach again cam-bolt (B) using screwdriver as shown.

Product assembly

Zappa Media Unit - Oak Finish
SLZAPTVMEL01

Step 3

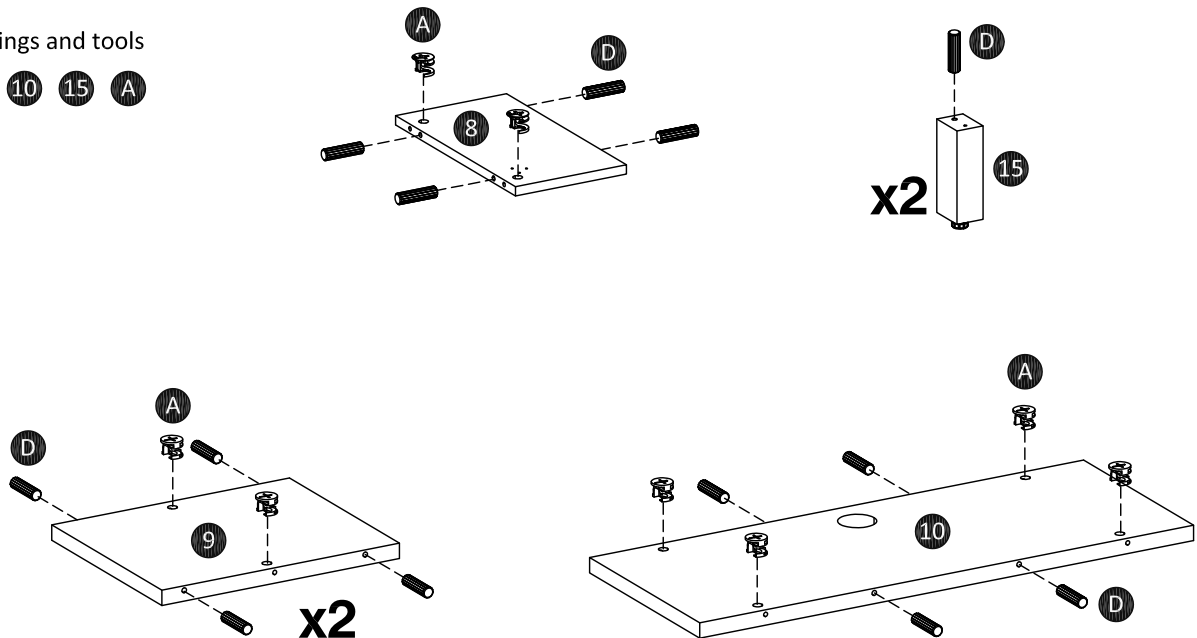
Parts, fittings and tools



Insert cam-fix (A) and plastic dowel (D) into left panel (3), right panel (4), left divider (5) and right divider (6).
Attach shelf holder (L) to left divider (5) and right divider (6) as shown.

Step 4

Parts, fittings and tools



Insert cam-fix (A) and plastic dowel (D) into middle divider (8), side rear panel (9) and middle rear panel (10).
Insert plastic dowel (D) into middle leg (15).

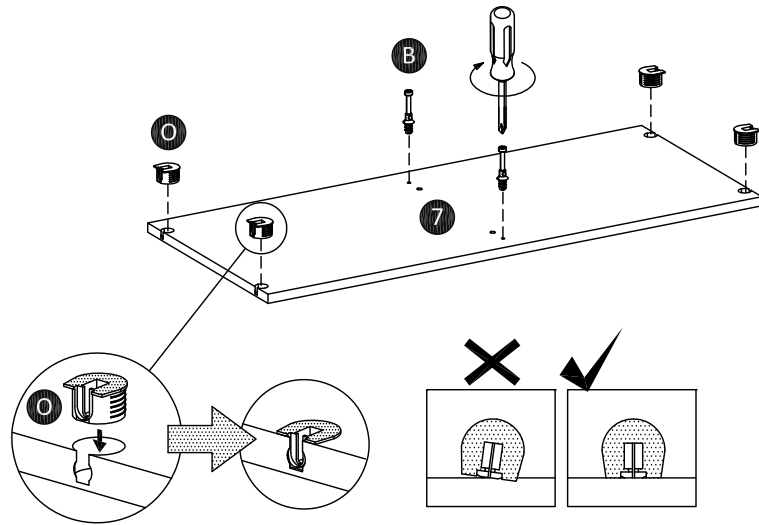
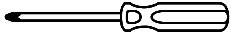
Product assembly

Zappa Media Unit - Oak Finish
SLZAPTVMEL01

Step 5

Parts, fittings and tools

7 B O

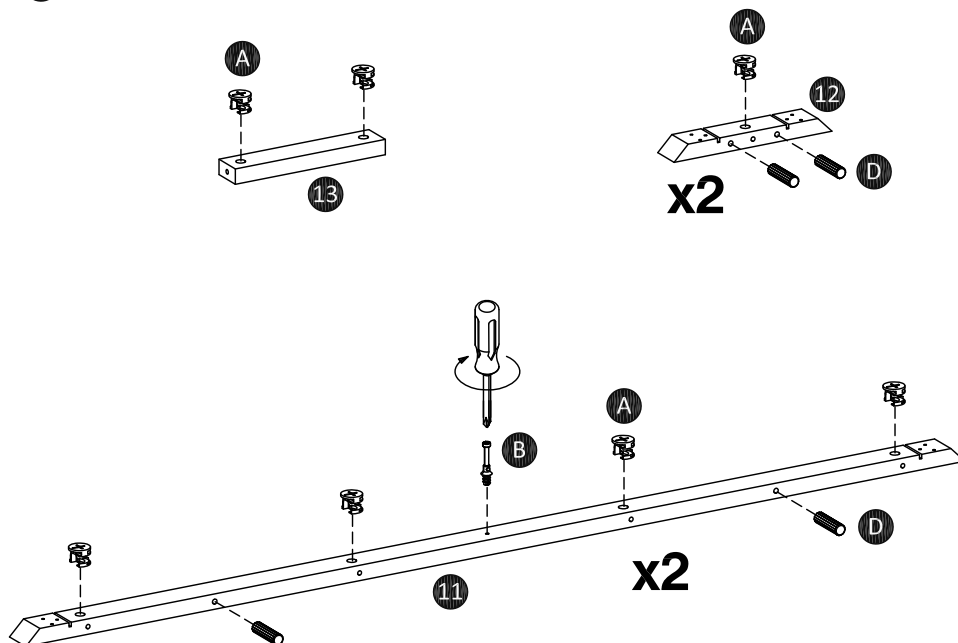
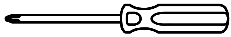


Attach cam-bolt (B) to fix shelf (7) using screwdriver.
Insert shelf support (O) into fix shelf (7) as shown.

Step 6

Parts, fittings and tools

11 12 13 A B D



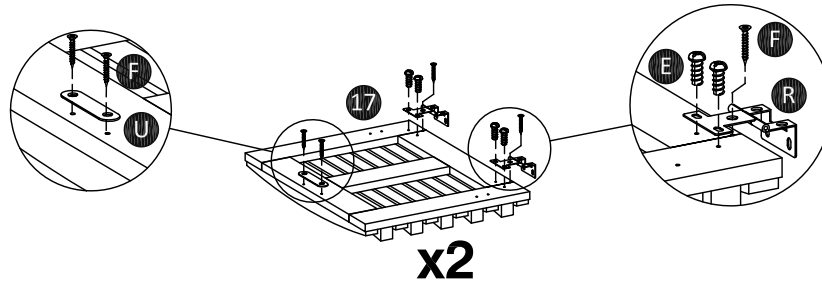
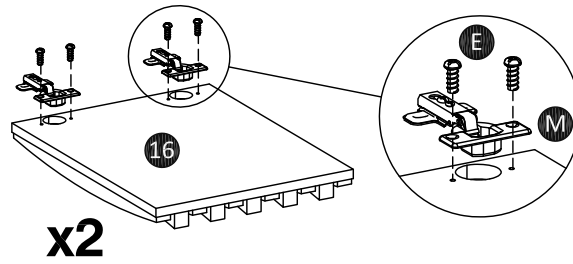
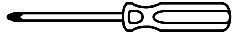
Attach cam-bolt (B) to large support (11) using screwdriver.
Insert cam-fix (A) and plastic dowel (D) into large support (11), small support (12) and middle support (13).

Product assembly

Zappa Media Unit - Oak Finish
SLZAPTVMEL01

Step 7

Parts, fittings and tools

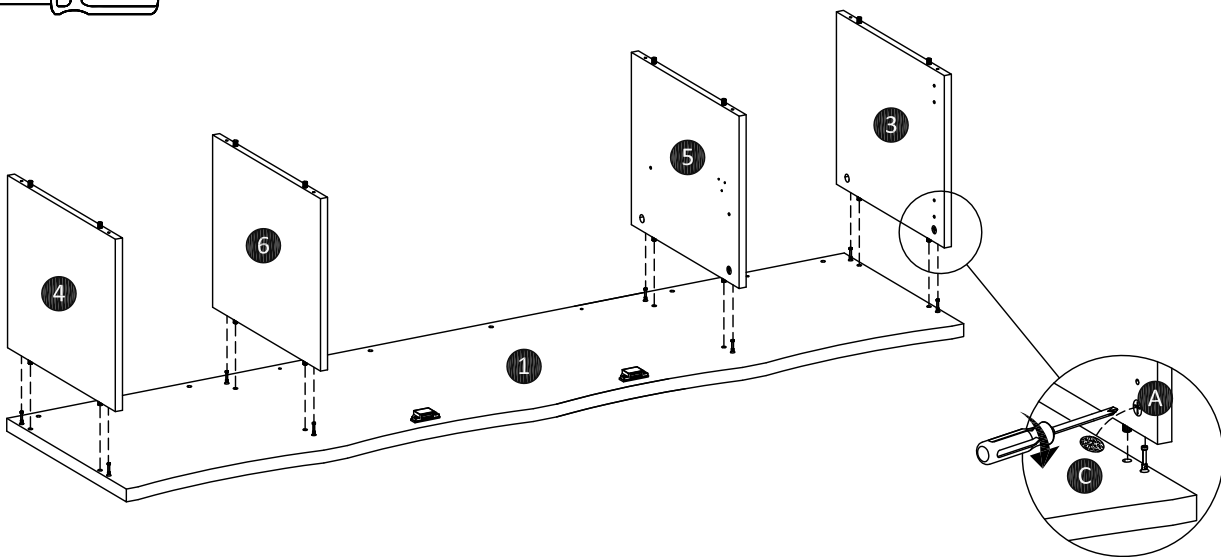
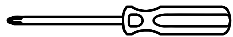


Attach door hinge (M) on the side door (16) using screws (E).

Attach plate hinge (R) on the Middle door (17) using screws (E) and (F), then install plate (U) using screws (F).

Step 8

Parts, fittings and tools



Attach left panel (3), right panel (4), left divider (5) and right divider (6) to top panel (1).

Turn the cam-lock (A) clockwise to lock using screwdriver, then paste cam-sticker (C).

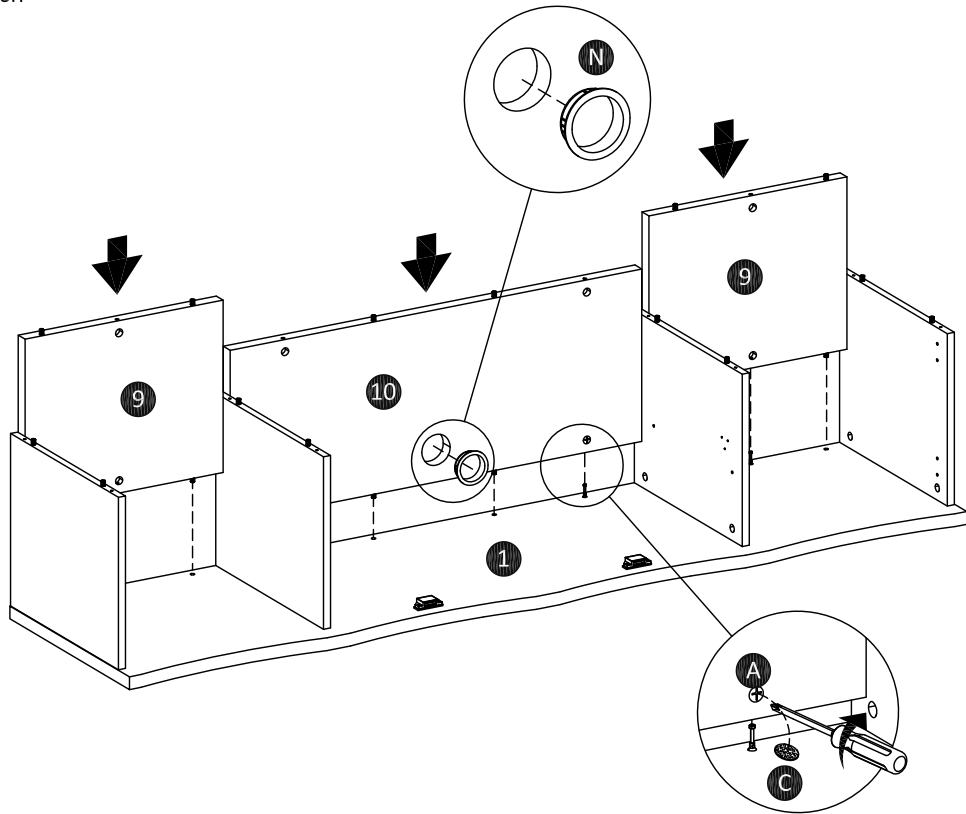
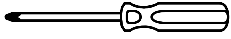
Product assembly

Zappa Media Unit - Oak Finish
SLZAPTVMEL01

Step 9

Parts, fittings and tools

1 9 10 A C N

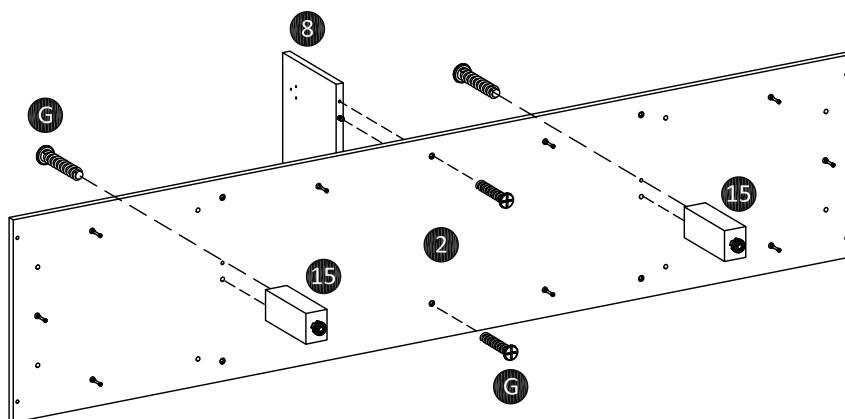
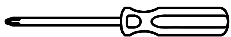


Attach side rear panel (9) and middle rear panel (10) to case assembly as shown.
Turn the cam-lock (A) clockwise to lock using screwdriver, then paste cam-sticker (C).
Insert cable holder (N) into middle rear panel (10).

Step 10

Parts, fittings and tools

2 8 15 G



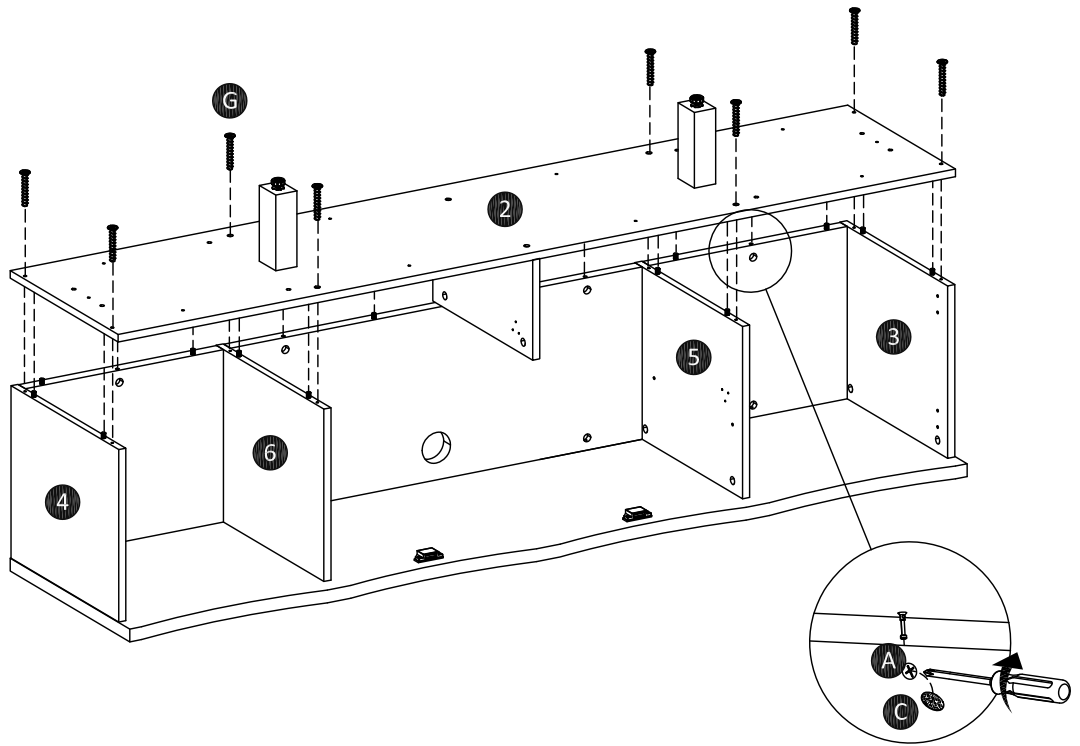
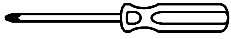
Attach middle legs (15) to bottom panel (2) using screws (G).
Attach middle divider panel (8) to bottom panel (2) using screws (G).

Product assembly

Zappa Media Unit - Oak Finish
SLZAPTVMEL01

Step 11

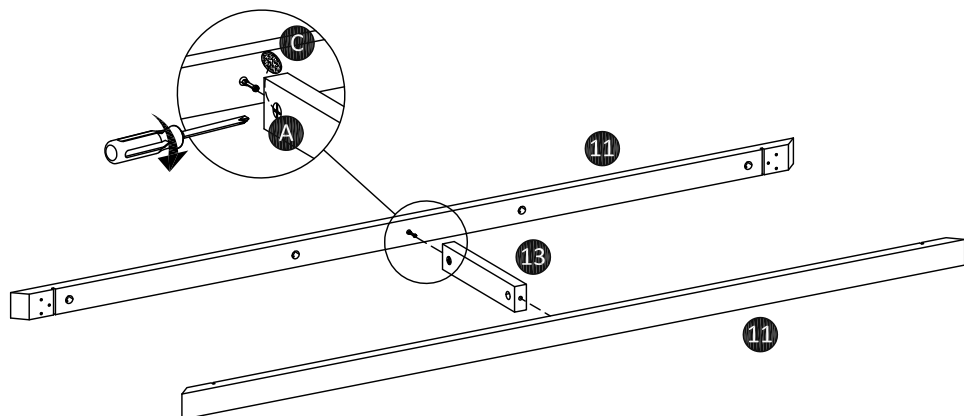
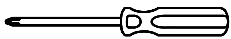
Parts, fittings and tools



Attach bottom panel (2) to case assembly using screws (G).
Turn the cam-lock (A) clockwise to lock using screwdriver, then paste cam-sticker (C).

Step 12

Parts, fittings and tools



Attach large support (11) to middle support (13) as shown.
Turn the cam-lock (A) clockwise to lock using screwdriver, then paste cam-sticker (C).

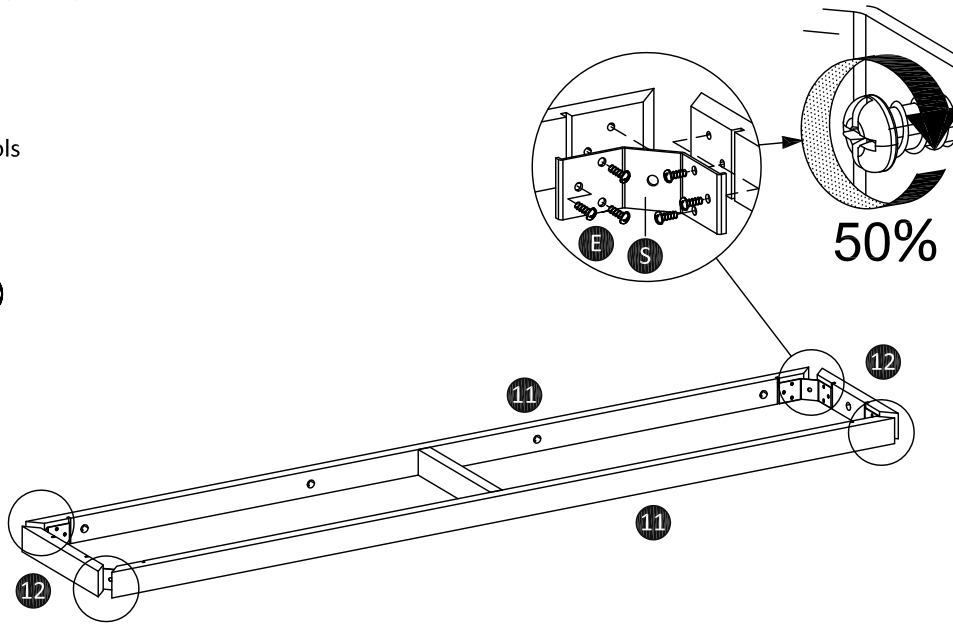
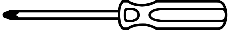
Product assembly

Zappa Media Unit - Oak Finish
SLZAPTVMEL01

Step 13

Parts, fittings and tools

11 12 E S

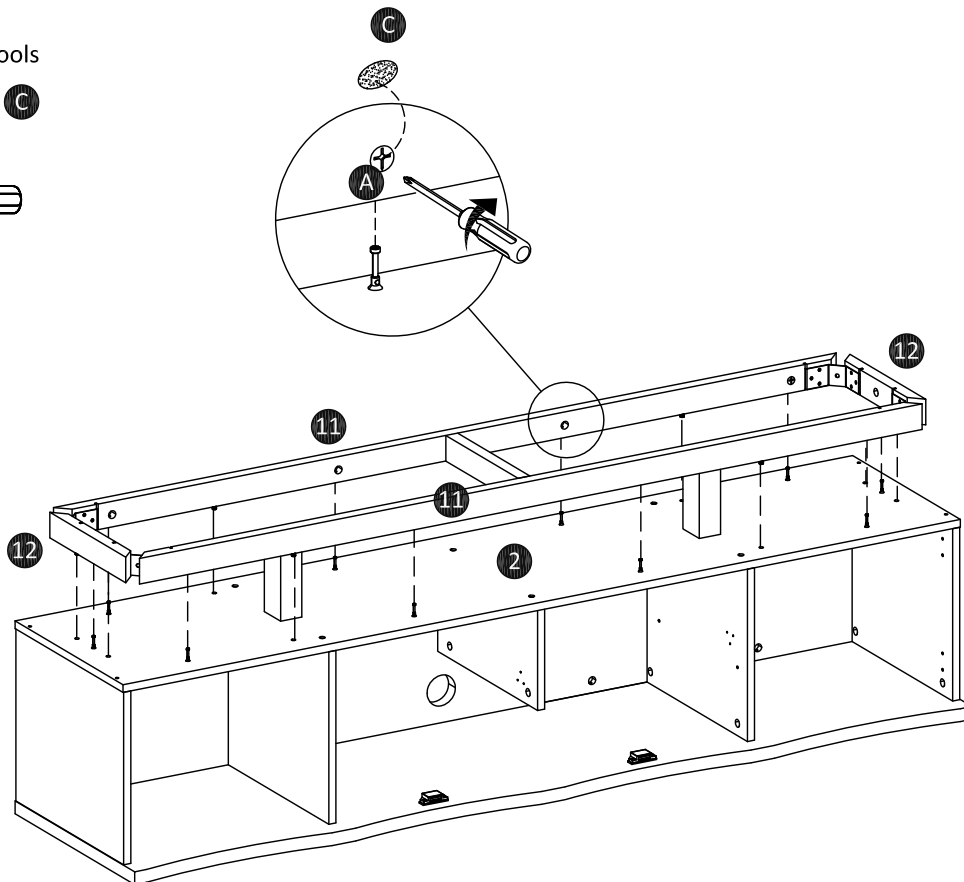
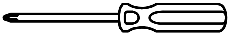


Attach corner brace (S) on the between large support (11) and small support (12) using screws (E). Tighten the screws about 50% before fixed.

Step 14

Parts, fittings and tools

2 11 12 A C



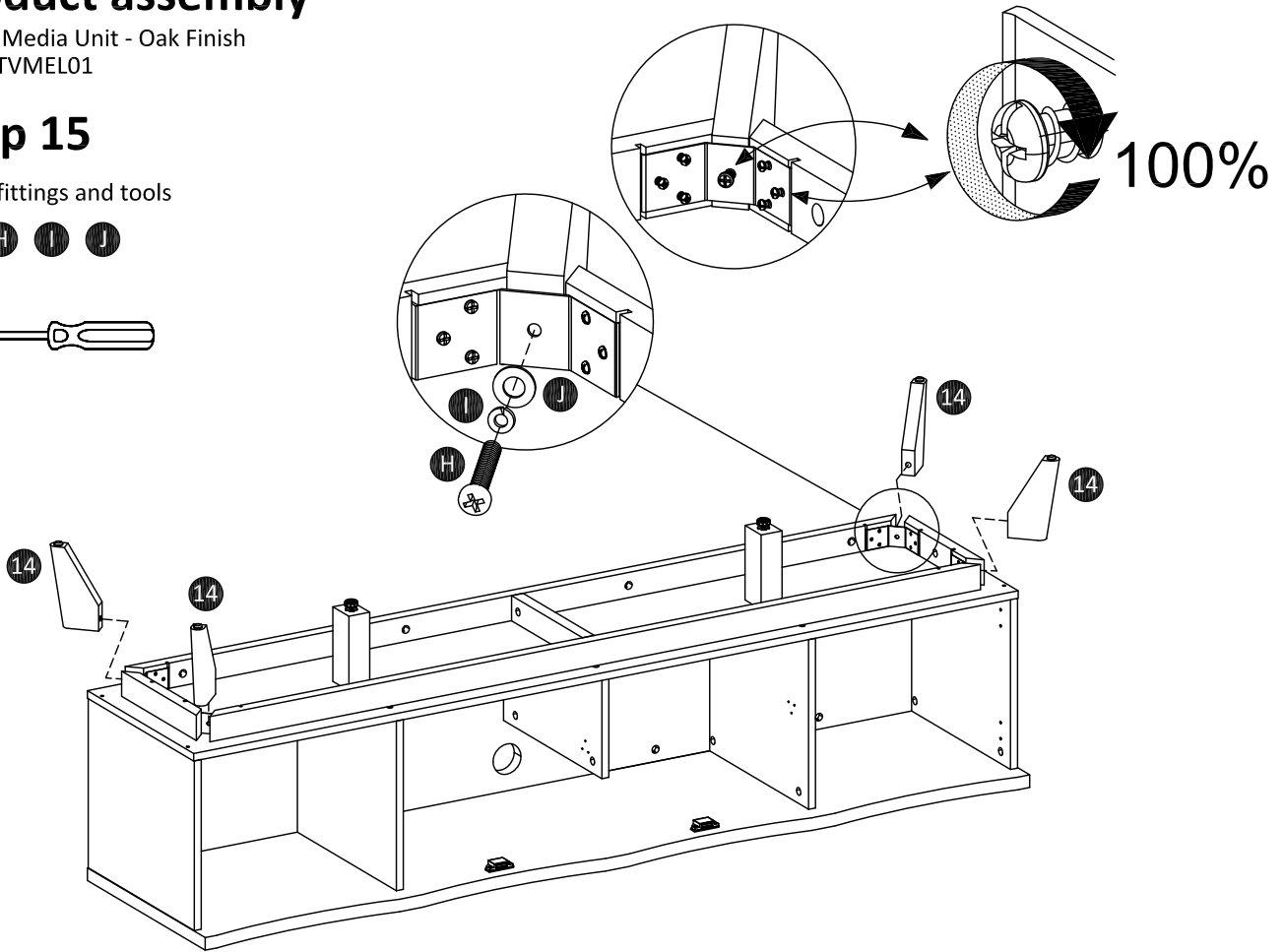
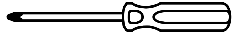
Attach support assembly to bottom panel (2) as shown.
Turn the cam-lock (A) clockwise to lock using screwdriver, then paste cam-sticker (C).

Product assembly

Zappa Media Unit - Oak Finish
SLZAPTVMEL01

Step 15

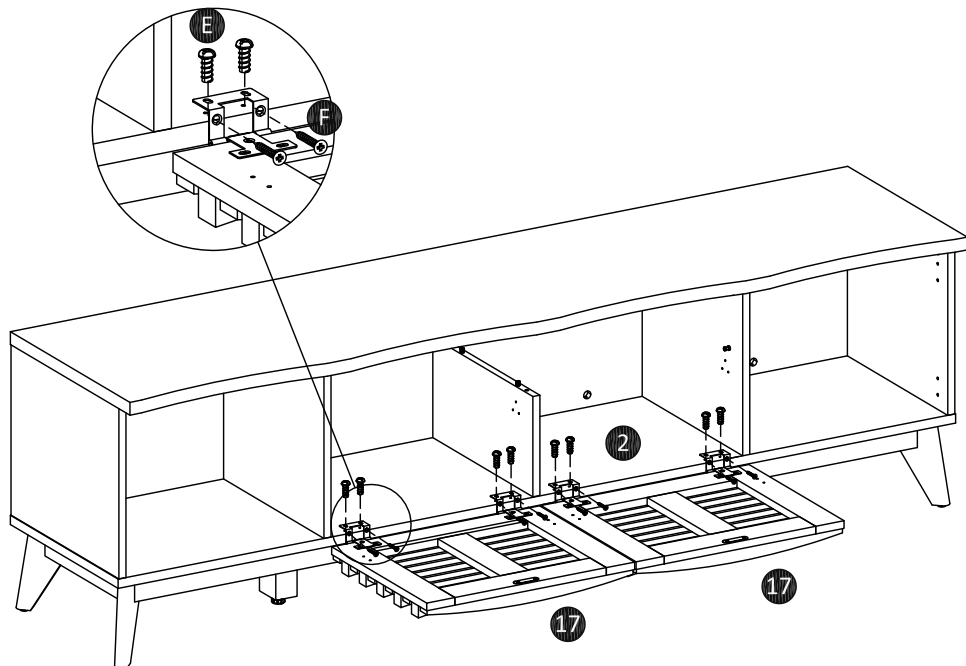
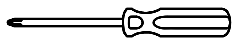
Parts, fittings and tools



Attach side leg (14) on the between large support (11) and small support (12) using screws (H), washer plate (J) and washer (I). Tighten screws (E) around corner braces and fixed it.

Step 16

Parts, fittings and tools



Attach middle door (17) to bottom panel (2), then screw the plate hinge (R) using screws (E) and (F) as shown.

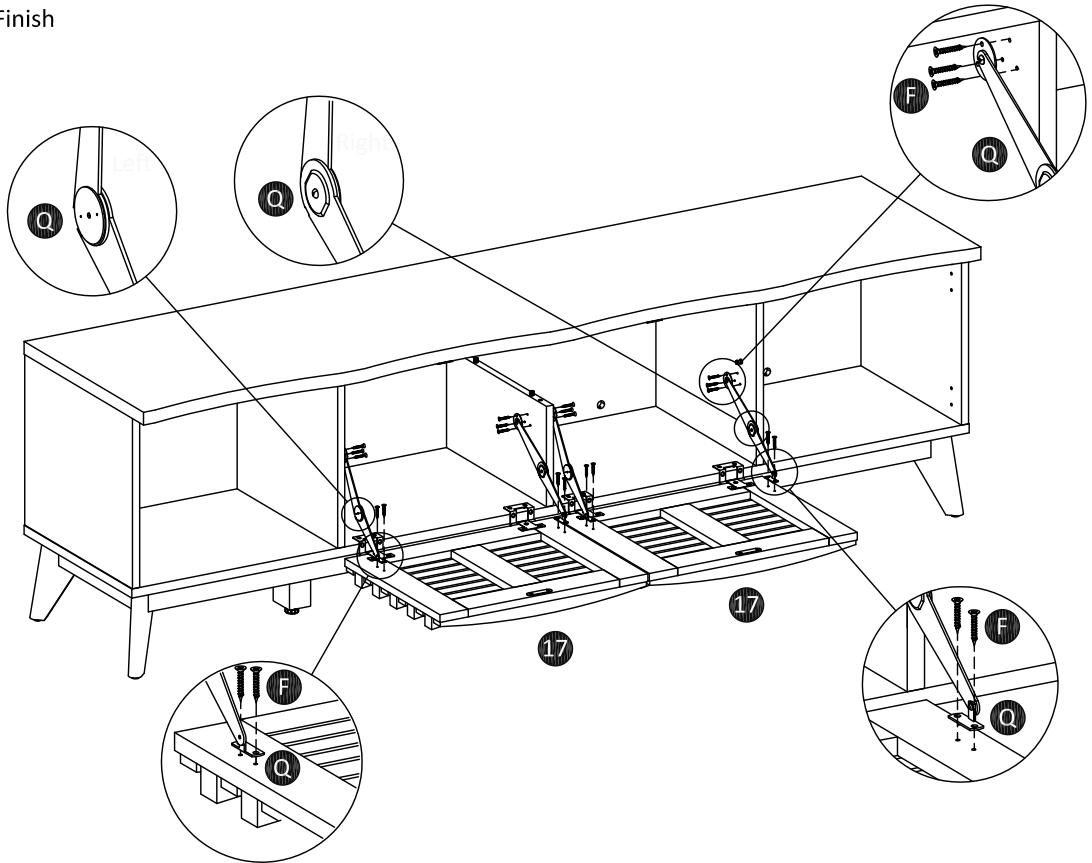
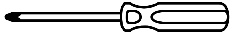
Product assembly

Zappa Media Unit - Oak Finish
SLZAPTVMEL01

Step 17

Parts, fittings and tools

17 F Q

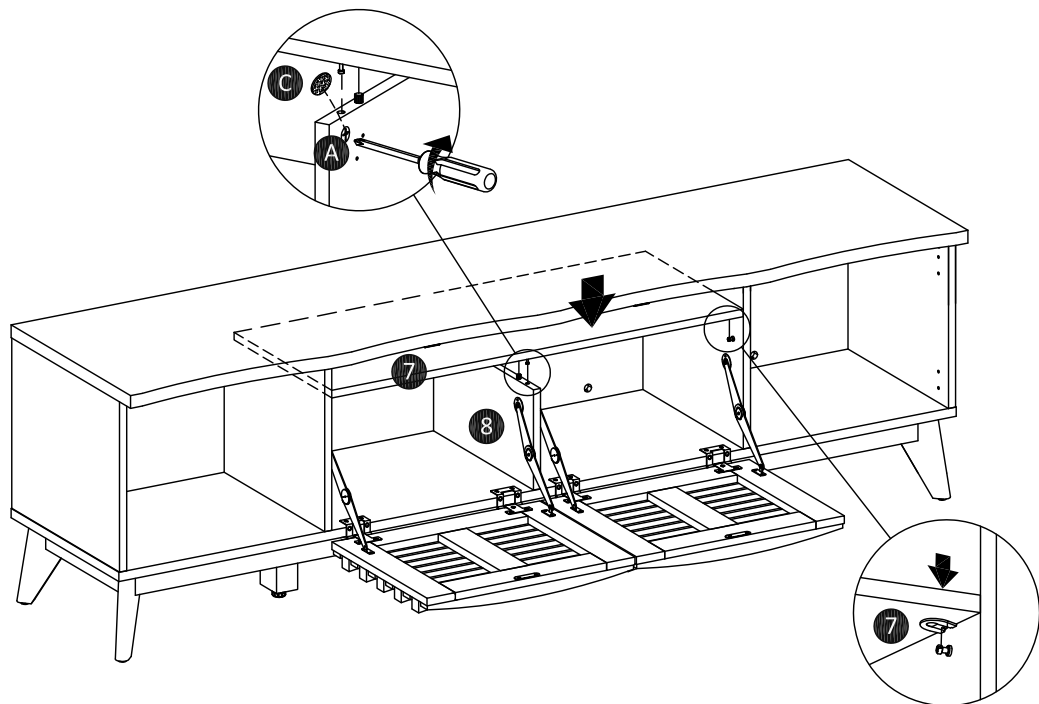
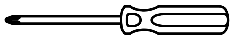


Attach flap stay (Q) on the middle door (17) then screw it using screws (F) as shown.

Step 18

Parts, fittings and tools

7 8 A C



Insert fix shelf (7) into case assembly as shown.

Turn the cam-lock (A) clockwise to lock using screwdriver, then paste cam-sticker (C).

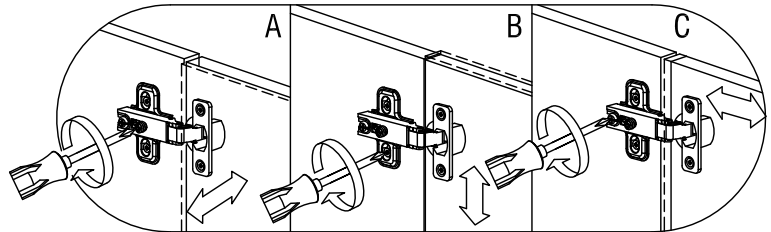
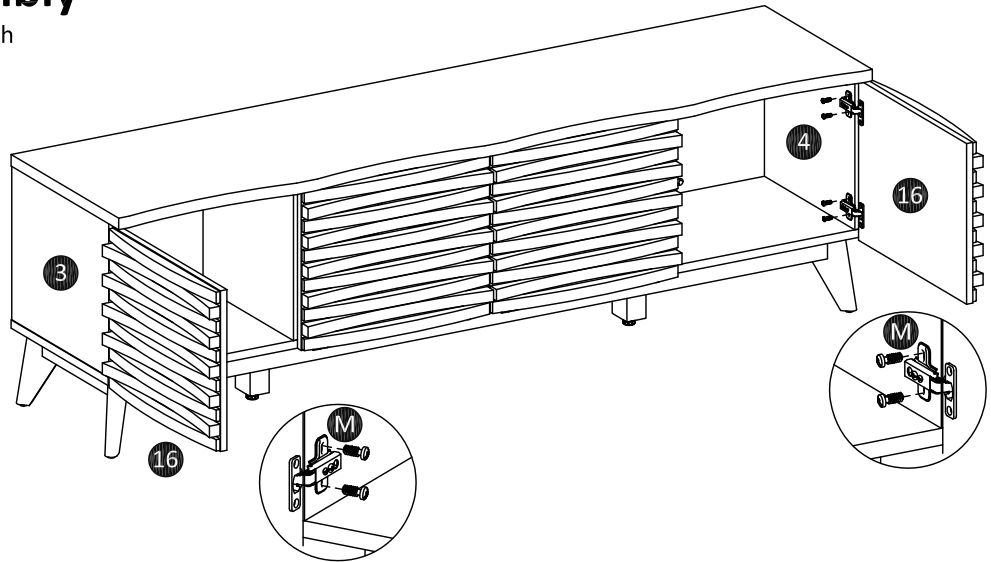
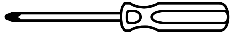
View from under shelf

Product assembly

Zappa Media Unit - Oak Finish
SLZAPTVMELO1

Step 19

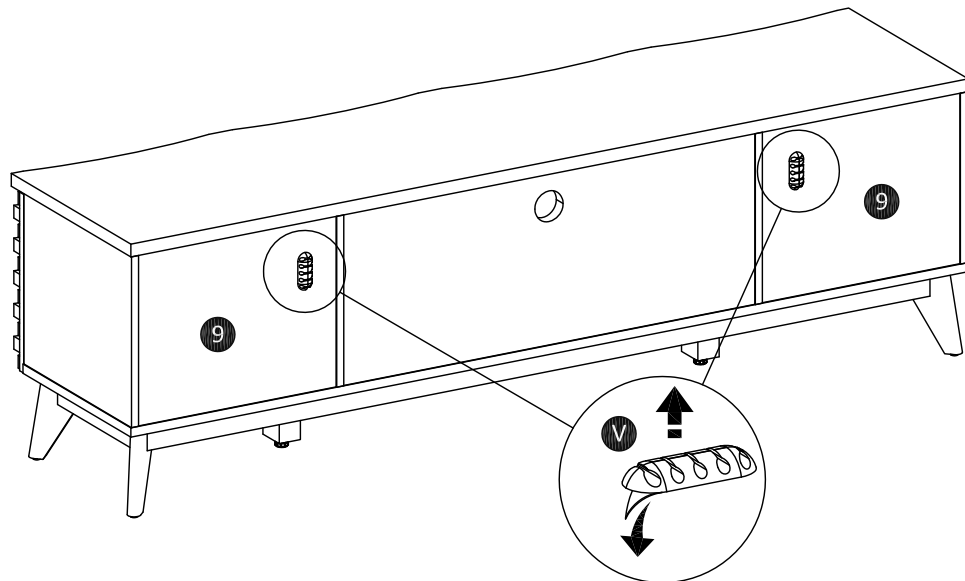
Parts, fittings and tools



Attach side door (16) to case assembly, then tightening the screws using screwdriver.
Adjust the hinge on the door until fix with the assembly.

Step 20

Parts, fittings and tools



Paste cable clamp (V) on the side rear board (9) as shown.

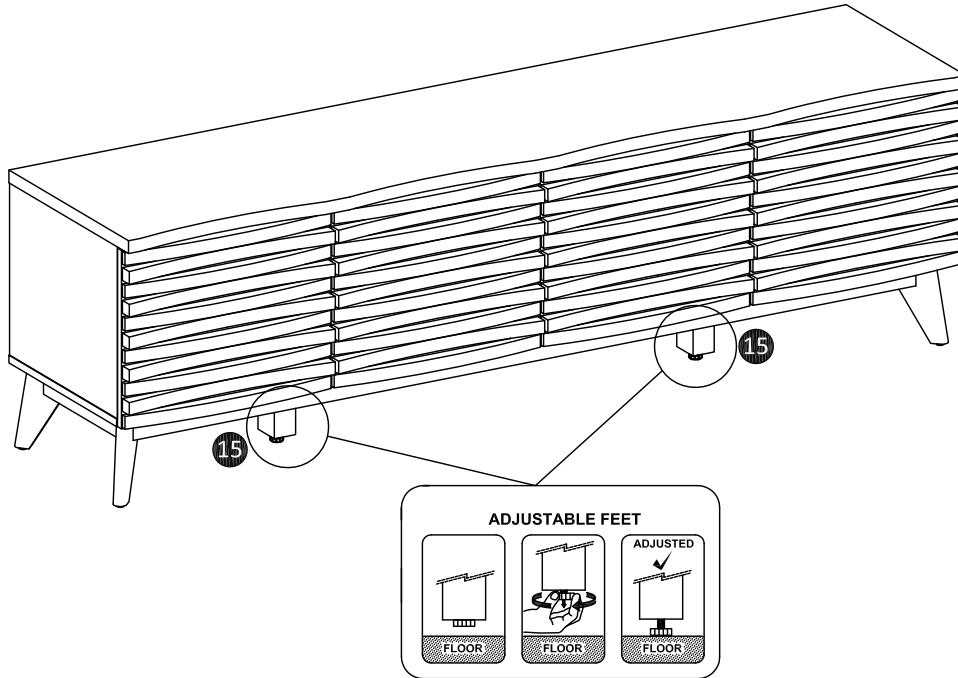
Product assembly

Zappa Media Unit - Oak Finish
SLZAPTVMEL01

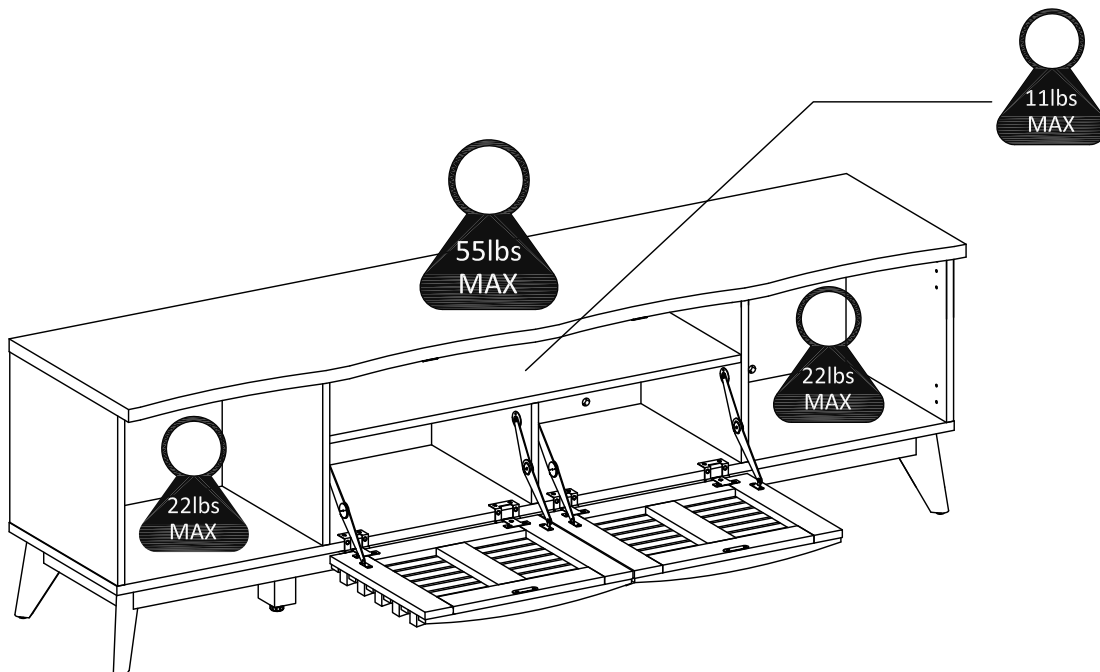
Step 21

Parts, fittings and tools

15



Adjust middle leg (15) until flat with floor.



Care and maintenance

Wood furniture

Wood displays different grain patterns depending on which way they are cut - for example, the 'medullary ray' which can appear on oak furniture is a mark of good quality timber - these are just characteristics of natural beauty of the wood. Some furniture is also deliberately aged and rustic, wood veneers also allow a distinctive pattern to be created on some surface, such as tabletops and drawer fronts by the way slivers are arranged.

How to care for your wood furniture

Furniture with a hard lacquer, wax polish or painted surface should be dusted with a dry cloth. Waxed furniture will need to be given a coat of beeswax a couple of times a year to help maintain its lustre.

Spray polishes are best avoided as they contain silicones which may spoil the furniture's surface when building up over time.

Make sure all surfaces are protected from the heat and liquids by mats and coasters. Wipe up spills immediately and ensure that a mat or pad is placed under paper if you are writing.

Our furniture will endure most temperatures in the home, but it is best to avoid placing furniture next to heat sources such as radiators or fires. Be particularly careful with solid wood as the lack of humidity caused by home heating can cause damage such as warping.

Caution

This wood has a painted surface that can scratch. Please avoid contact with hard, sharp objects. Avoid placing plant pots or vases without waterproof mats to prolong the life of the product.

Please do not sit or lean on this product.

Maximum Load Capacity: 55 lbs for the top surface, 22 lbs for bottom panel, 11 lbs for shelf.

Retain these instructions for furniture reference.

Your feedback is very important to us and we would love to hear your comments on your new furniture. Please visit our website to leave a review. Thank you.